

KSR Series Subminiature Tact Switch for SMT

Features/Benefits

- Saves PCB space
- Range of 4 actuation forces
- G terminations
- N.O.
- Detect type available
- Rubber actuator
- IP 50 sealed
- RoHS compliant and compatible

Typical Applications

- Automotive
- Cellular phones & accessories
- Industrial electronics
- Computers & network equipment



Tactile Switches

Specification

FUNCTION: momentary action
CONTACT ARRANGEMENT: Normally Open
TERMINALS: Gullwing type for SMT

Mechanical

| Type | Operating force Newtons (grams) | Operating life (operations) | Travel |
|------------|------------------------------------|--------------------------------|-------------|
| KSR211/213 | 1,5 <Fa< 2,2 | 100,000 | 0,25 ± 0,15 |
| KSR221/223 | 1,9 <Fa< 2,6 | 100,000 | 0,3 ± 0,15 |
| KSR231/233 | 2,25 <Fa< 3,75 | 100,000 | 0,35 ± 0,15 |
| KSR251/253 | 3,37 <Fa< 5,6 | 100,000 | 0,5 ± 0,15 |
| KSR223GNC | 1,5 <Fa< 2,5 | 30,000 | 0,3 ± 0,15 |

Overload: 20 Newtons

Detect switch versions are available. Please see Detect chapter KSR2D/M series.

Packaging

Switches are delivered on continuous tape, in reels of 2,500 pieces.

Electrical

| | Silver | Gold |
|---------------------|--------|--------|
| MAXIMUM POWER: | 1 VA | 0.2 VA |
| MAXIMUM VOLTAGE: | 32 VDC | 32 VDC |
| MINIMUM VOLTAGE: | 20 mV | 20 mV |
| MAXIMUM CURRENT DC: | 50 mA | 10 mA |
| MINIMUM CURRENT DC: | 1 mA | 1 mA |

CONTACT RESISTANCE: ≤ 100 mΩ

INSULATION RESISTANCE: (100 V): 1G Ω (between terminals)

BOUNCE TIME: 1 ms max.

Environmental

| | Silver | Gold |
|------------------------|---------------|----------------|
| OPERATING TEMPERATURE: | -40°C to 85°C | -40°C to 125°C |
| STORAGE TEMPERATURE: | -55°C to 85°C | -55°C to 125°C |

Process

SOLDERING: Compatible with lead free reflow soldering process.

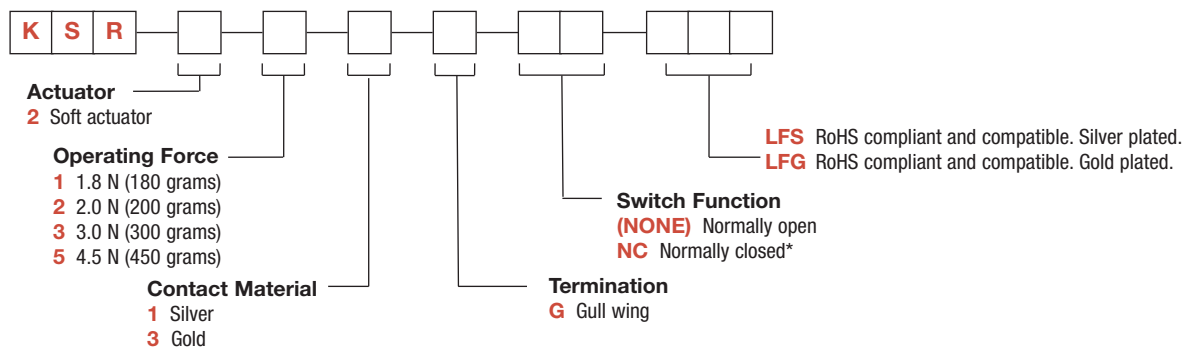
NOTE: Specifications listed above are for switches with standard options.
For information on specific and custom switches, consult Customer Service Center.

How To Order

Our easy build-a-switch concept allows you to mix and match options to create the switch you need. To order, select desired option from each category and place it in the appropriate box.

However, please note that all the combinations of these options are not feasible.

For any part number different from those listed above, please consult your local representative.



*Available on KSR223G only.

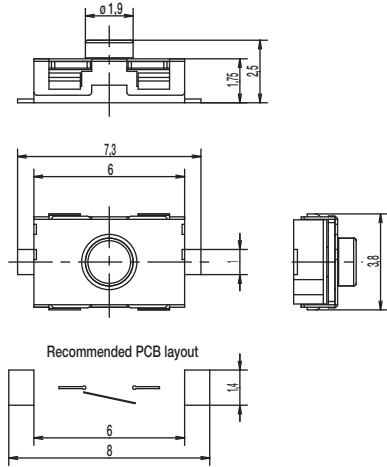
KSR Series Subminiature Tact Switch for SMT

KSR



B

Tactile Switches



TAPE & REEL

