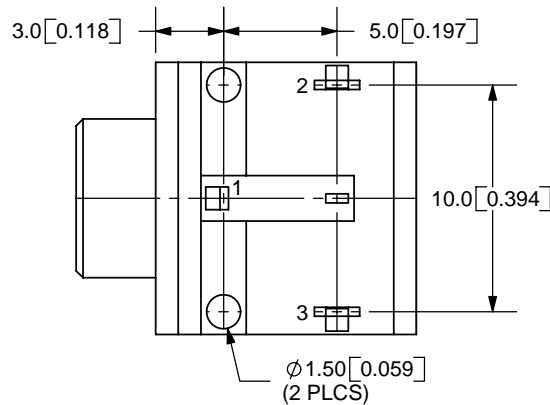
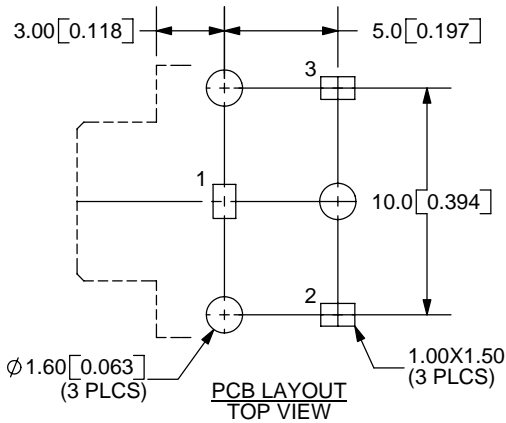
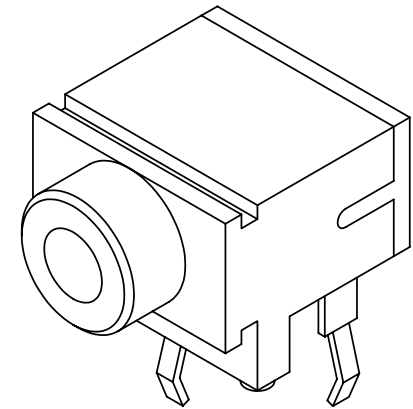
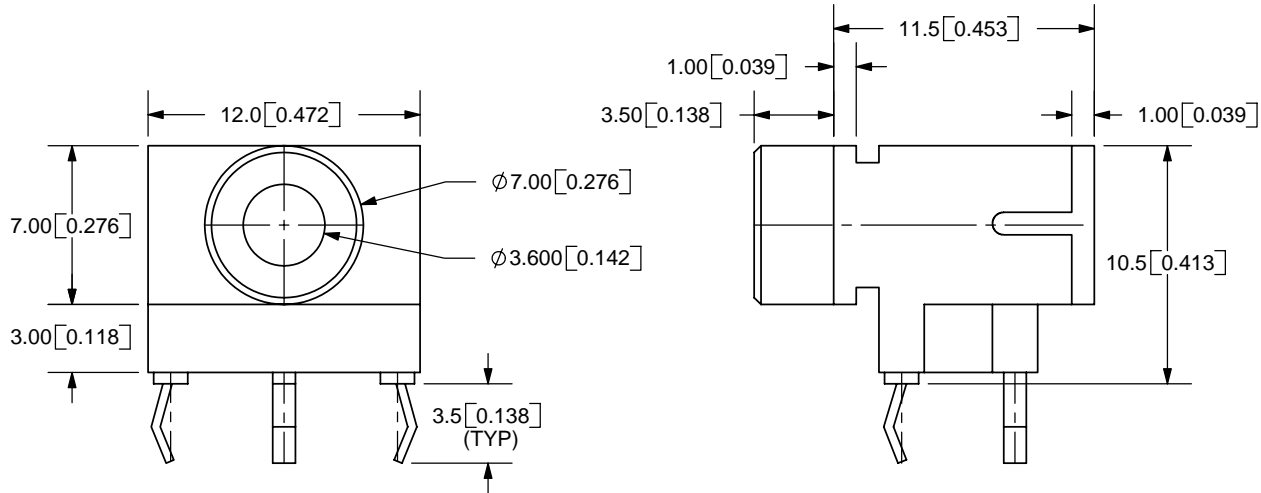


REV.	DESCRIPTION	DATE
A	NEW DRAWING	12/5/2005



TOLERANCE:
X.X ±0.2mm
X.XX ±0.1mm
X.XXX ±0.05mm



MODEL NO.	SJ1-3553NG
SCHMATIC	

SPECIFICATIONS:
RATING: 12V DC @ 1A
CONTACT RESISTANCE: 30m OHMS MAX
INSULATION RESISTANCE: 50M OHMS MIN: 500V DC
VOLTAGE WITHSTAND: 500V AC R.M.S. FOR 1 MINUTE
LIFE: 5,000 CYCLES

9615 SW Allen Blvd., Ste. 103
Beaverton, OR 97005
Phone: 503-643-4899
800-275-4899
Fax: 503-372-1266
Website: www.cui.com

	MATERIAL	PLATING	TITLE: 3.5mm STEREO JACK	REV: A
TERMINAL 1	Brass	Tin	PART NO. SJ1-3553NG	UNITS: MM [INCHES]
TERMINAL 2	Copper Alloy	Tin		
TERMINAL 3	Copper Alloy	Tin		
HOUSING	PBT		DRAWN BY: ZRJ	APPROVED BY:
			SCALE: 3:1	

PC FILE NAME:
SJ1-3553NG

COPYRIGHT 2005 BY CUI INC.