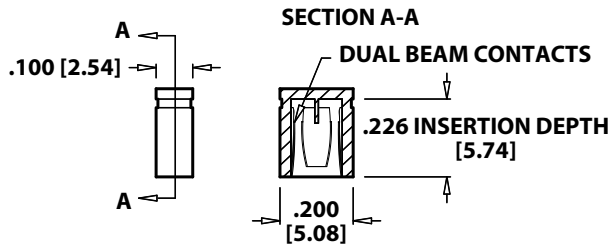


JUMPER

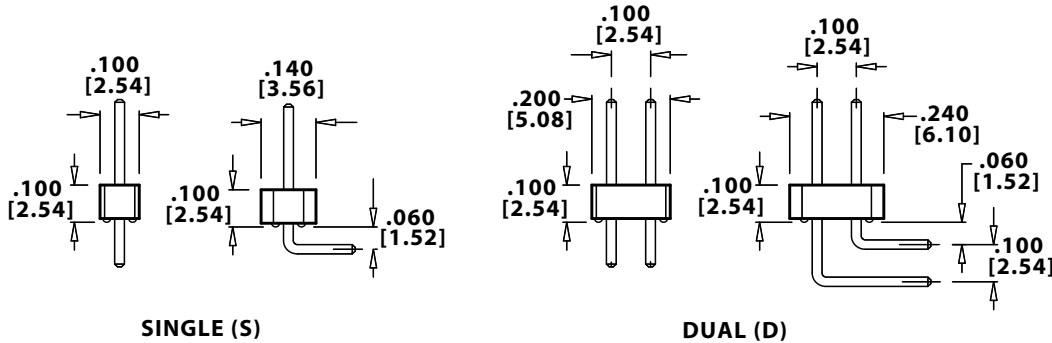


PART NUMBER:
STC02SYAN (TIN PLATE)
SPC02SYAN (GOLD FLASH)
SSC02SYAN (GOLD PLATE)

FEATURES

- * 3 amp current rating
- * UL Flammability Rating: 94V-O
- * Insulator: Polyester, PA9T
- * Contact Material: Copper Alloy
- * Consult Factory for availability of .100" Receptacles
- * RoHS Compliant, order PA9T/Phosphor Bronze with B, C or E Plating

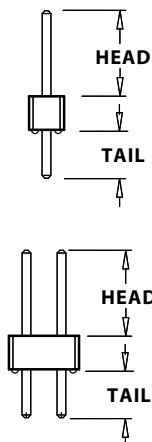
READOUT



TERMINATION TYPE

STRAIGHT

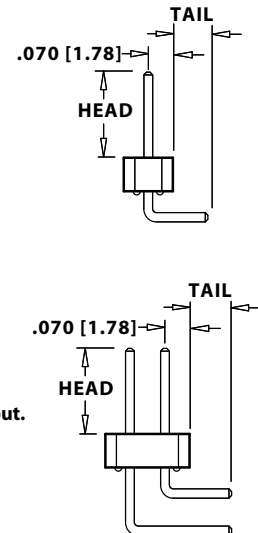
P/N CODE	HEAD DIMENSION	TAIL DIMENSION
AA	.230 [5.84]	.120 [3.05]
AB	.230 [5.84]	.230 [5.84]
AC	.230 [5.84]	.320 [8.13]
AD	.230 [5.84]	.420 [10.67]
AE	.230 [5.84]	.520 [13.21]
AF	.230 [5.84]	.620 [15.75]
AG	.230 [5.84]	.720 [18.29]
AH	.230 [5.84]	.820 [20.83]
FA	.318 [8.08]	.120 [3.05]
FB	.318 [8.08]	.220 [5.59]
FC	.318 [8.08]	.320 [8.13]
FD	.318 [8.08]	.420 [10.67]
FE	.318 [8.08]	.520 [13.21]
ZA	.120 [3.05]	.120 [3.05]
ZC	.120 [3.05]	.260 [6.60]
ZD	.120 [3.05]	.610 [15.49]



RIGHT ANGLE BEND

P/N CODE	HEAD DIMENSION	TAIL DIMENSION
BA	.230 [5.84]	.100 [3.05]
BB	.230 [5.84]	.200 [5.84]
BC	.230 [5.84]	.300 [8.13]
BD	.230 [5.84]	.400 [10.67]
BE	.230 [5.84]	.500 [13.21]
BF**	.230 [5.84]	.600 [15.75]
BG**	.230 [5.84]	.700 [18.29]
GA	.318 [8.08]	.100 [3.05]
GB	.318 [8.08]	.200 [5.59]
GC**	.318 [8.08]	.300 [8.13]
GD**	.318 [8.08]	.400 [10.67]

** Consult factory for availability in dual readout.



PART NUMBER CODING *

SERIES
P = PBT/Phosphor Bronze
G = PA9T/Phosphor Bronze

CONTACT FINISH (All platings have .000050" nickel underplate)
Contact Surface
B = .000010" Gold
C = .000030" Gold
E = .000010" Pure Tin, Matte
Termination
.000100" Pure Tin, Matte ‡
.000100" Pure Tin, Matte ‡
Overall Plating
.000100" Pure Tin, Matte ‡
‡ = Lead Free

CONTACT CENTERS
C = .100" [2.54mm]

MODIFICATION CODE (Consult Factory)
Omit For Standard

MOUNTING STYLE
N = No Mounting
R = Retent Lead (Consult Factory)

TERMINATION TYPE (Opposite Page)
AA, AB, AC, AD, AE, AF, AG, AH, FA, FB, FC, FD, FE, BA, BB, BC, BD, BE, BF, GA, GB, GC, GD, ZA, ZC, ZD

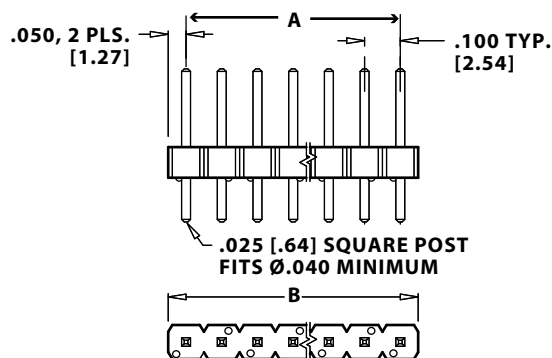
READOUT (Opposite Page)
S = Single
D = Dual

NUMBER OF POSITIONS
01 Thru 36
(eg. 32 Dual = 64 Contacts)

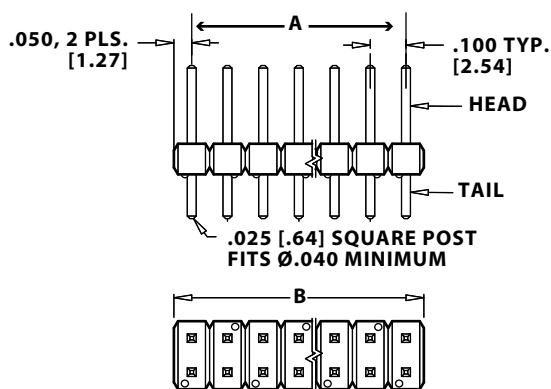
P B C 36 D AA N - Mxxx

DIMENSIONS

All dimensions in [] are in millimeters, all others are in inches.



SINGLE READOUT,
STRAIGHT TAIL SHOWN



DUAL READOUT,
STRAIGHT TAIL SHOWN

PART NUMBER*	NUMBER OF CONTACTS SINGLE/DUAL	A		B	
		Inches	Millimeters	Inches	Millimeters
P_C01__N	1/2	N/A	N/A	0.100	2.54
P_C02__N	2/4	0.100	2.54	0.200	5.08
P_C03__N	3/6	0.200	5.08	0.300	7.62
P_C04__N	4/8	0.300	7.62	0.400	10.16
P_C05__N	5/10	0.400	10.16	0.500	12.70
P_C06__N	6/12	0.500	12.70	0.600	15.24
P_C07__N	7/14	0.600	15.24	0.700	17.78
P_C08__N	8/16	0.700	17.78	0.800	20.32
P_C09__N	9/18	0.800	20.32	0.900	22.86
P_C10__N	10/20	0.900	22.86	1.000	25.40
P_C11__N	11/22	1.000	25.40	1.100	27.94
P_C12__N	12/24	1.100	27.94	1.200	30.48
P_C13__N	13/26	1.200	30.48	1.300	33.02
P_C14__N	14/28	1.300	33.02	1.400	35.56
P_C15__N	15/30	1.400	35.56	1.500	38.10
P_C16__N	16/32	1.500	38.10	1.600	40.64
P_C17__N	17/34	1.600	40.64	1.700	43.18
P_C18__N	18/36	1.700	43.18	1.800	45.72
P_C19__N	19/38	1.800	45.72	1.900	48.26
P_C20__N	20/40	1.900	48.26	2.000	50.80
P_C21__N	21/42	2.000	50.80	2.100	53.34
P_C22__N	22/44	2.100	53.34	2.200	55.88
P_C23__N	23/46	2.200	55.88	2.300	58.42
P_C24__N	24/48	2.300	58.42	2.400	60.96
P_C25__N	25/50	2.400	60.96	2.500	63.50
P_C26__N	26/52	2.500	63.50	2.600	66.04
P_C27__N	27/54	2.600	66.04	2.700	68.58
P_C28__N	28/56	2.700	68.58	2.800	71.12
P_C29__N	29/58	2.800	71.12	2.900	73.66
P_C30__N	30/60	2.900	73.66	3.000	76.20
P_C31__N	31/62	3.000	76.20	3.100	78.74
P_C32__N	32/64	3.100	78.74	3.200	81.28
P_C33__N	33/66	3.200	81.28	3.300	83.82
P_C34__N	34/68	3.300	83.82	3.400	86.36
P_C35__N	35/70	3.400	86.36	3.500	88.90
P_C36__N	36/72	3.500	88.90	3.600	91.44

* For complete part number add readout and termination type from Part Number Coding (e.g. PBC36DAAN).