

Customer Information Sheet

DRAWING No.: M22-714XXXX

SHEET 3 OF 3

IF IN DOUBT - ASK

©

NOT TO SCALE

THIRD ANGLE PROJECTION

ALL DIMENSIONS IN mm

NOTES:

1. RECOMMENDED PCB HOLE SIZE = $\varnothing 0.80\text{mm}$.

ORDER CODE:

M22-714XXXX

No. OF WAYS
02 TO 32

FINISH:
42 = SELECTIVE GOLD
+ 100% TIN

SPECIFICATION:

MATERIAL:

MOULDING = NYLON 6T UL94V-0, BLACK

CONTACTS = PHOSPHOR BRONZE

FINISH: (OVER NICKEL)

42 = GOLD ON CONTACT AREA, 100% TIN ON TAILS

MECHANICAL:

INSERTION FORCE = 2N MAX

WITHDRAWAL FORCE = 0.2N MIN

DURABILITY = 1000 OPERATIONS

ELECTRICAL:

CURRENT RATING = 1A AC/DC

VOLTAGE PROOF = 500V AC MIN

CONTACT RESISTANCE = 20 MILLIOHMS MAX

INSULATION RESISTANCE = 1000 MEGOHMS MIN

DIELECTRIC WITHSTANDING = 500V AC FOR 1 MIN

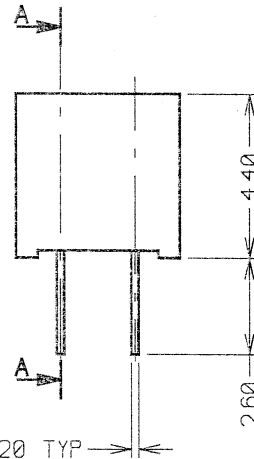
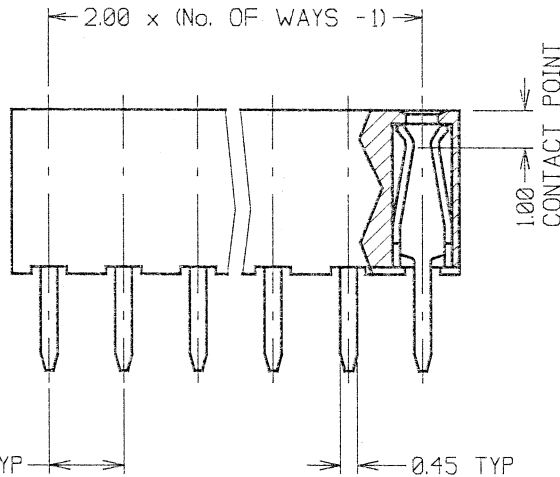
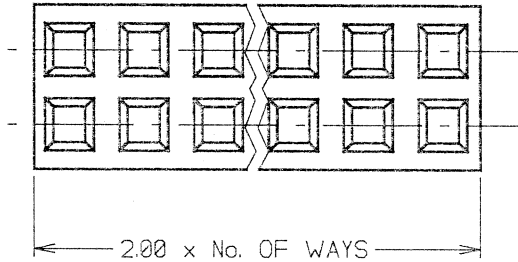
ENVIRONMENTAL:

TEMPERATURE RANGE = -40° TO +105°

PACKING:

TUBE

FOR COMPLETE SPECIFICATION SEE COMPONENT SPECIFICATION C018XX (LATEST ISSUE)



PART SECTION A-A

JMB	3	25.10.05	8806
NAME	ISS.	DATE	IC/NOTE
APPROVED: <i>[Signature]</i>			
CHECKED: <i>[Signature]</i>			
DRAWN:		J. EVANS	
CUSTOMER REF.:			
ASSEMBLY DRG.:			

HARWIN

HARWIN USA
TEL: 603 893 5376
FAX: 603 893 5396
mis@harwin.com

HARWIN Europe (UK)
TEL: 023 9231 4545
FAX: 023 9231 4590
mis@harwin.co.uk

HARWIN Asia
TEL: +65 6 779 4909
FAX: +65 6 779 3868
mis@harwin.com.sg

THIS DRAWING AND ANY INFORMATION OR DESCRIPTIVE MATTER SET OUT HEREON ARE CONFIDENTIAL AND COPYRIGHT PROPERTY OF THE HARWIN GROUP AND MUST NOT BE DISCLOSED, LOANED, COPIED OR USED FOR MANUFACTURING, TENDERING OR FOR ANY OTHER PURPOSE WITHOUT THEIR WRITTEN PERMISSION.

TOLERANCES
X. = $\pm 1\text{mm}$
X.X = $\pm 0.25\text{mm}$
X.XX = $\pm 0.10\text{mm}$
X.XXX = $\pm 0.01\text{mm}$
ANGLES = $\pm 5^\circ$
UNLESS STATED

MATERIAL:
SEE ABOVE
FINISH:
SEE ABOVE
S/AREA: mm²

TITLE:
2.00mm PITCH DIL
VERTICAL SOCKET ASSEMBLY
DRAWING NUMBER:
M22-714XXXX
SHT 3 OF 3