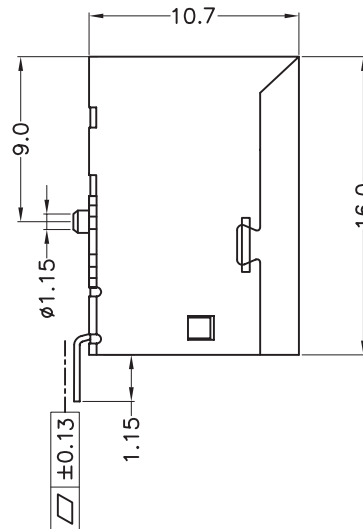
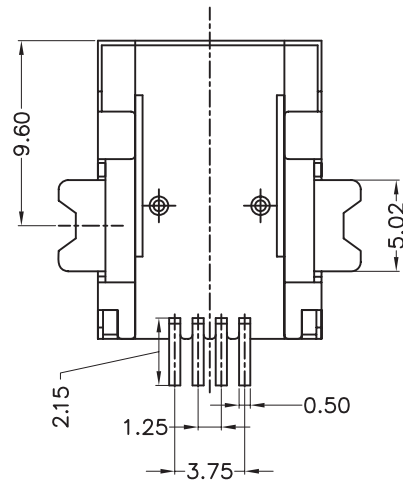


PCB LAYOUT - COMPONENT VIEW



TECHNICAL CHARACTERISTICS

MATERIAL
 INSULATOR: NYLON 6T
 FLAMABILITY RATING: UL94-V0
 COLOR: BLACK
 CONTACT MATERIAL: COPPER ALLOYS
 CONTACT TYPE: STAMPED
 CONTACT PLATING: SELECTIVE GOLD
 SHIELDING: BRASS NI PLATED
 QUALITY CLASS: 1500 MATING CYCLE

ENVIRONMENTAL
 OPERATING TEMPERATURE: -40 UP TO 105°C
 COMPLIANCE: LEAD FREE AND ROHS

ELECTRICAL
 CURRENT RATING: 1.5A Max
 WORKING VOLTAGE: 30V
 INSULATOR RESISTANCE: >1000 MOHM
 DIELECTRIC WITHSTANDING VOLTAGE: 750V AC/MN
 CONTACT RESISTANCE: 20 mOHM MAX

STANDARD

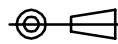
 CERTIFIED: E323964 / MODEL NUMBER 614/629-B

SOLDERING
 REFLOW PROCESS ONLY

PACKAGING
 TAPE & REEL

RoHS Compliant

PROJECTION:



GENERAL TOLERANCE

.X = +/- 0.2

.XX = +/- 0.15



APPROVAL: RJ

UNIT: MM

SCALE:

SHEET: 1/2

DRAW: MIKE

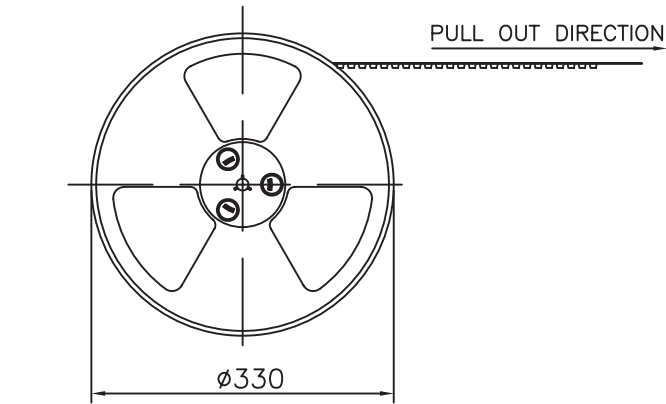
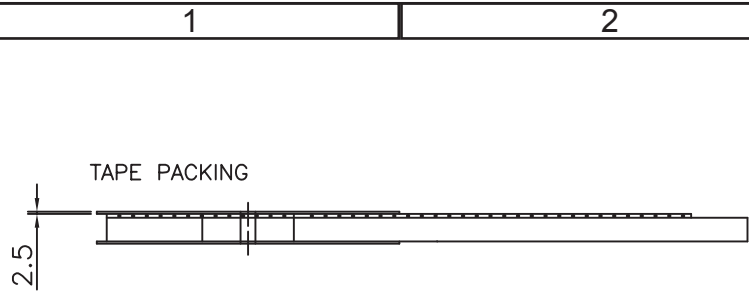
DESCRIPTION: USB 2.0 B FEMALE RIGHT ANGLE SMD TYPE

WERI PART NO: 629 104 161 21

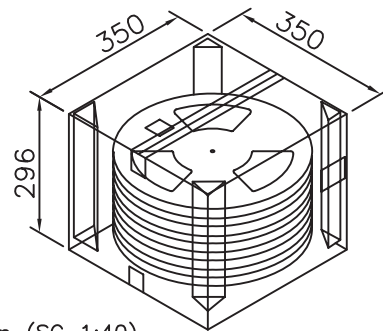
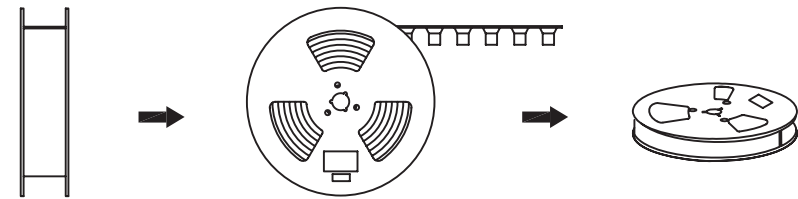
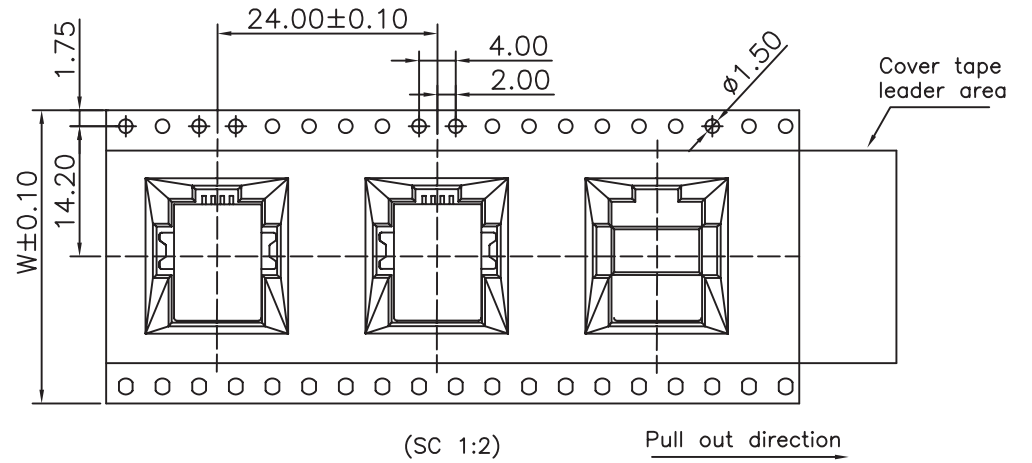
SIZE

A4

REV	DATE	FILE	BY
H	29-APR-11	PACKAGING	GG
I	22-JUN-11	CURRENT RATING	GG
J	08-NOV-11	CURRENT RATING	GG
K	18-JUN-12	MATERIAL	GG
L	18-FEB-13	DESIGNATION	AR



(SC 1:20)



Carton (SC 1:40)

- Note:
1. Material : Black BK
 2. Thickness : 0.50±0.05mm
 3. Component load per 13" reel : 150 pcs.
 4. Carton Size: 350*350*296(mm)

Pin.	W	Pcs/R	R/Carton	Pcs/Carton
04	32	150	7	1050

RoHS Compliant				PROJECTION: 	GENERAL TOLERANCE .X = +/- 0.2 .XX = +/- 0.15		DESCRIPTION: USB BFEMALE RIGHT ANGLE SMD TYPE	SIZE A4
					SCALE:			
					SHEET: 2/2			
REV	DATE	FILE	BY		DRAW: MIKE			