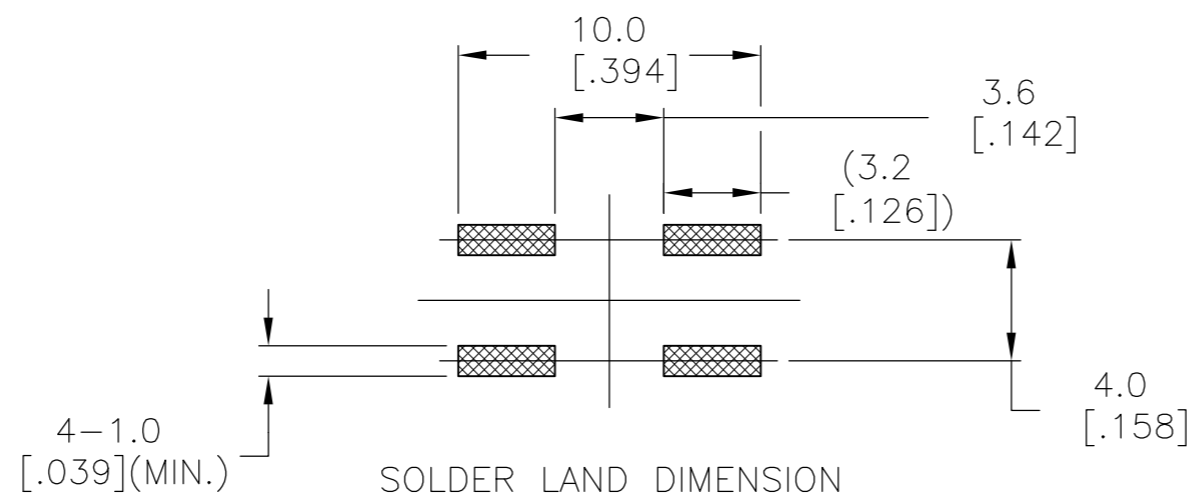
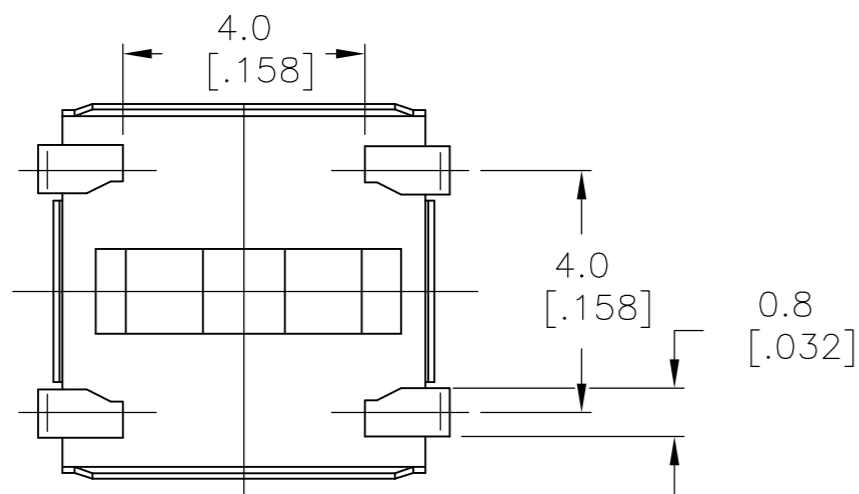
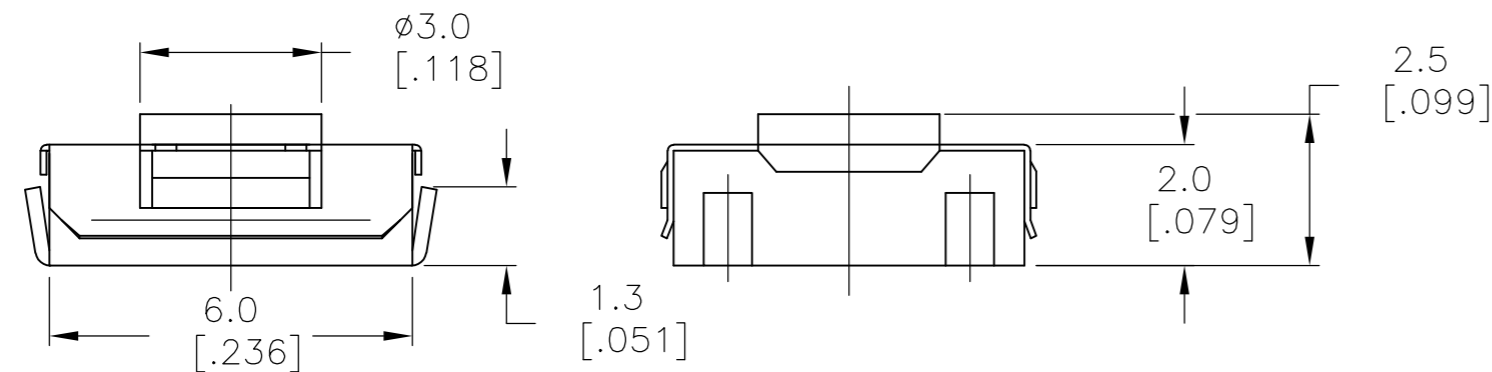
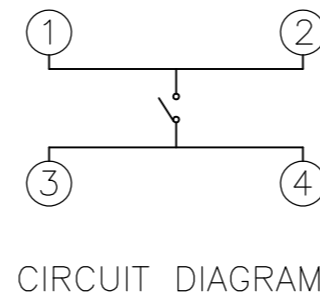
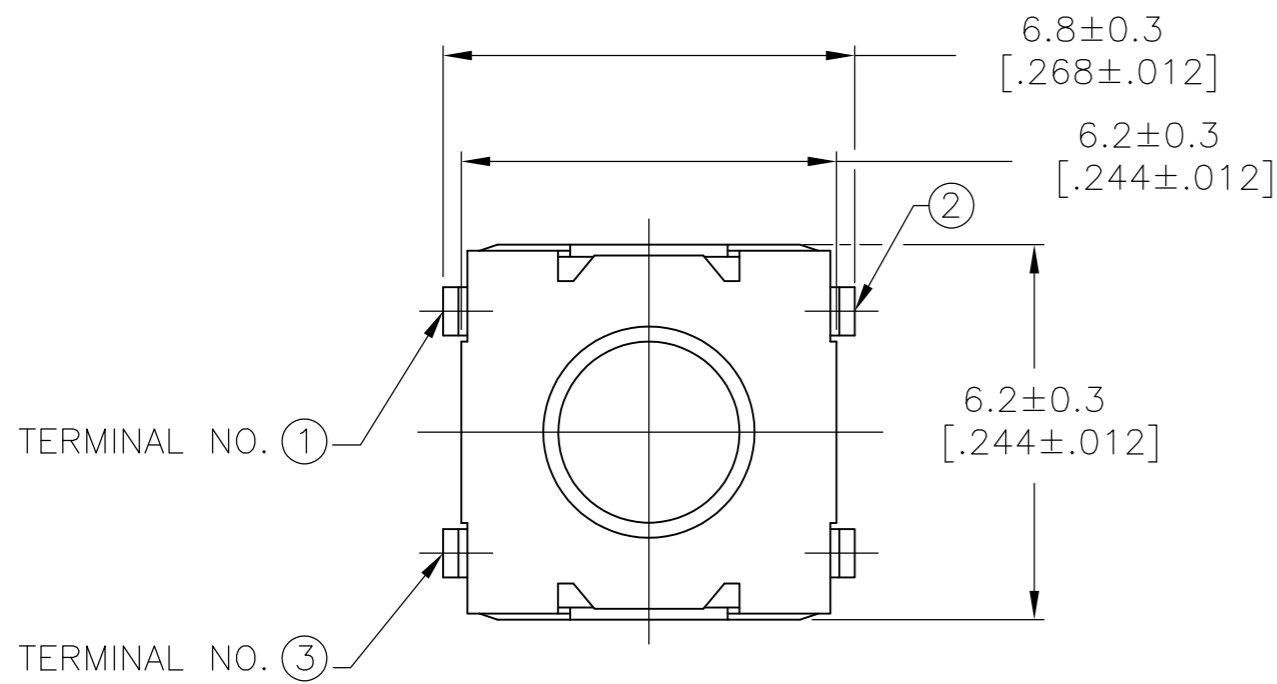


LOC		DIST		REVISIONS			
P	LTR	DESCRIPTION		DATE	DWN	APVD	
	C	ECO-07-000908		02JUL07	MB	MS	



SPECIFICATIONS:

MATERIAL:

HOUSING, THERMOPLASTIC, UL94-V0, BLACK  
 ACTUATOR, THERMOPLASTIC, UL94-V0, COLOR SEE TABLE  
 TERMINAL, COPPER ALLOY, PLATE- SILVER OVER NICKEL  
 COVER, STAINLESS STEEL  
 CONTACT, STAINLESS STEEL, SILVER PLATE

ELECTRICAL:

MAX CONTACT RATING: 50MILLIAMPS@24V DC  
 MIN CONTACT RATING: 10MICROAMPS@1V DC  
 INITIAL CONTACT RESISTANCE, 100 MILLIOHMS MAX, PER EIA-364-23B, EACH POSITION  
 INSULATION RESISTANCE, 100 MEGOHM MIN. PER EIA-364-21C EACH POSITION  
 DIELECTRIC STRENGTH, 500 V AC FOR 1 MINUTE, PER EIA-364-20B, CONDITION 1, EACH POSITION.  
 CONTACT BOUNCE, 10 MILLISECOND MAX, PER EIA 448-1B, METHOD 15

MECHANICAL:

ACTUATION FORCE, SEE TABLE  
 ACTUATION TRAVEL, .2 +/- .1 mm  
 LIFE EXPECTANCY, SEE TABLE, VALUES GIVEN ARE MINIMUM, (2 CYCLES PER SECOND AND 150% ACTUATION FORCE), PER EIA-448 METHODS 8 & 9  
 VIBRATION, PER EIA 364-28D, CONDITION VII, LEVEL E, DURATION 1.5 HOURS  
 MECHANICAL SHOCK, PER EIA-364-27C, CONDITION A

ENVIRONMENTAL

OPERATING TEMPERATURE, -35 TO +85 DEGREES C  
 STORAGE TEMPERATURE, -35 TO +85 DEGREES C  
 HUMIDITY AND TEMPERATURE CYCLING PER EIA-364-31B, METHOD III  
 THERMAL SHOCK, PER EIA-364-32C, -35 TO +85 DEGREES C  
 SOLDERABILITY, PER EIA-364-52, CLASS 2, CATEGORY 1, TEMP, 245 DEGREES C MAX, TIME, 2.5 SECONDS MAX, 95% MINIMUM COVERAGE  
 RESISTANCE TO SOLDER HEAT, PER 109-201 COND B  
 TAPE AND REEL PACKAGING PER EIA 481, TAPE WIDTH 12mm, PITCH 8.0mm, 3000 PER REEL

1. ALL MATERIALS AND FINISHES SHALL COMPLY WITH EU DIRECTIVE 2002/95/EC OF 27JAN2003 (ROHS)

PACKAGING	CYCLE LIFE	ACT. COLOR	FORCE	DIM L	PART NO.
T&R	1,00,000	VIOLET	260±50gf	2.5mm	1571625-8
BULK	1,00,000	VIOLET	260±50gf	2.5mm	1571625-7
T&R	1,000,000	RED	160±50gf	2.5mm	1571625-6
BULK	1,000,000	RED	160±50gf	2.5mm	1571625-5
T&R	1,000,000	GREEN	100±50gf	2.5mm	1571625-4
BULK	1,000,000	GREEN	100±50gf	2.5mm	1571625-3
T&R	2,000,000	IVORY	50±30gf	2.5mm	1571625-2
BULK	2,000,000	IVORY	50±30gf	2.5mm	1571625-1

THIS DRAWING IS A CONTROLLED DOCUMENT.		DWN	M.BINNER	22SEP03	Tyco Electronics Corporation Harrisburg, Pa 17105-3608
DIMENSIONS: mm [INCHES]		CHK	M.SARVER	22SEP03	
TOLERANCES UNLESS OTHERWISE SPECIFIED:		APVD	M.SARVER	22SEP03	
0 PLC ± - 1 PLC ± 0.2 2 PLC ± - 3 PLC ± - 4 PLC ± - ANGLES ± -		PRODUCT SPEC	NAME		
MATERIAL SEE NOTES		FINISH	-		RESTRICTED TO
CUSTOMER DRAWING		WEIGHT	-		SCALE 8:1 SHEET 1 OF 1 REV C
		DRAWING NO. C=1571625			

1571625