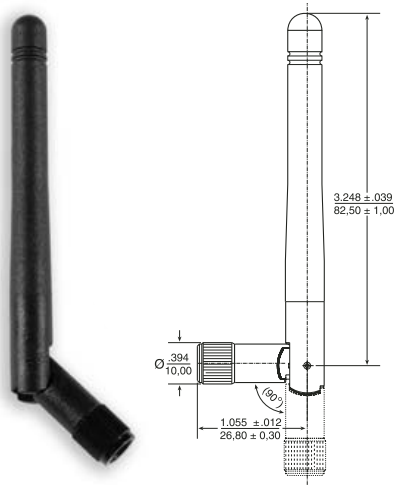


# Wireless External Antenna for 2.4 GHz Applications

Pulse Part Number: W1030



## Features

- Shortest antennas in product line
- For WLAN devices using WiFi (802.11b/g), Bluetooth® and ZigBee™
- Omni-directional radiation pattern provides broad 360° coverage
- One-quarter wavelength dipole configuration
- Connection options easily integrate with OEM designs

## Connector Options

- Reverse SMA (Male)\*
- SMA (Male)

\* Default Configuration – Please contact Pulse Applications Engineering for assistance in ordering connectors

Weight.....6.3 grams  
 Carton......20/bag; 500/carton

Dimensions:  $\frac{\text{Inches}}{\text{mm}}$

Unless otherwise specified, all tolerances are  $\pm \frac{.010}{0.25}$

## Electrical Specifications @ 25 °C

Note: This part number is lead-free and RoHS compliant. No additional suffix or identifier is required.

| Antenna Part No. | Frequency [GHz] | Gain [dBi] | Impedance [Nom] | VSWR  | Polarization | Electrical Length | Radiation |
|------------------|-----------------|------------|-----------------|-------|--------------|-------------------|-----------|
| W1030            | 2.4 – 2.5       | 2.0        | 50 Ω            | ≤ 2.0 | Vertical     | 1/4, dipole       | Omni      |

### Pulse Antennas

Takatie 6  
 90440 Kempele  
 Finland  
 Tel: +358 207 935 500  
[www.pulseeng.com/antennas](http://www.pulseeng.com/antennas)

### External Antennas Sales Contacts

|           |                  |          |                |
|-----------|------------------|----------|----------------|
| USA       | 858 674 8100     | Shanghai | 86 21 32181071 |
| UK        | 44 1483 401 700  | China    | 86 769 5538070 |
| France    | 33 3 84 35 04 04 | Taiwan   | 886 2 26980228 |
| Singapore | 65 6287 8998     |          |                |



# Wireless External Antenna for 2.4 GHz Applications

Pulse Part Number: W1030

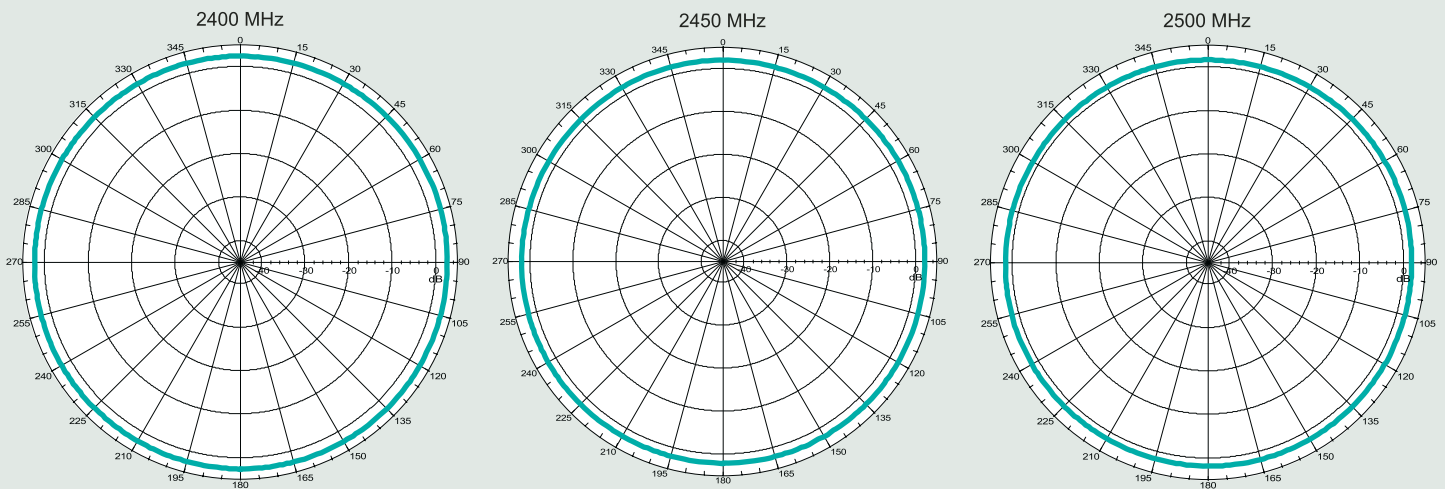
## Application Notes

Omni-directional antennas provide a uniform, donut-shaped, 360° radiation pattern. The omni-directional pattern is suitable for point-to-multipoint broadcasting in all directions. This antenna is primarily used for WLAN

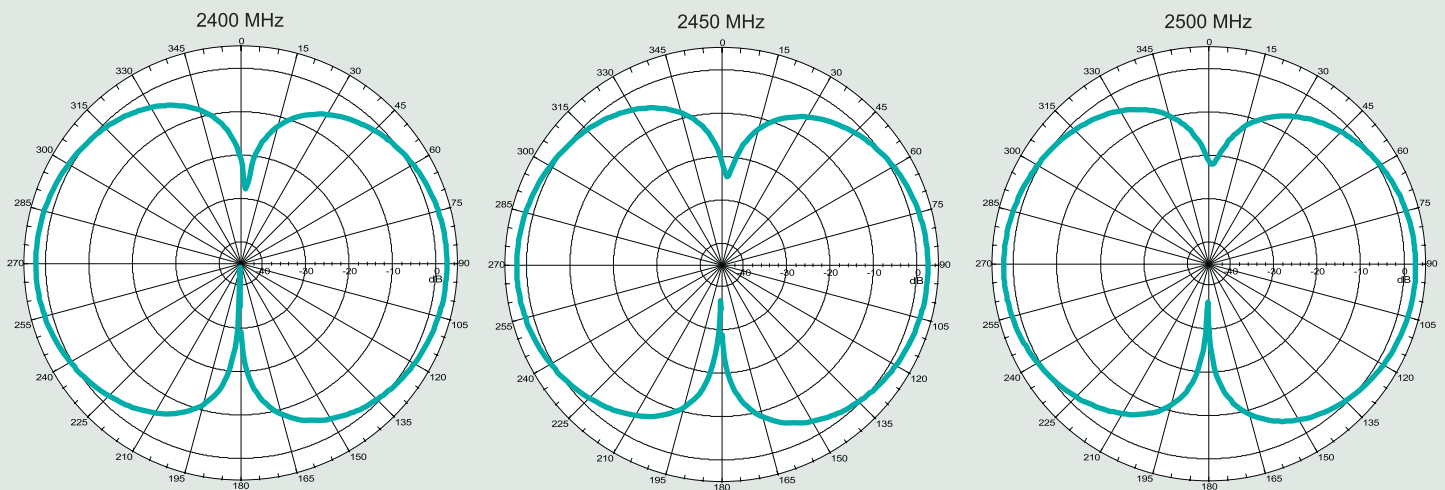
applications. However, it can also be used for a variety of other applications within the specified frequency range. When used as an access point, the antenna is ideally located at the center of the coverage area.

## Gain Performance W1030

### Horizontal Position



### Vertical Position



#### Pulse Antennas

Takatie 6

90440 Kempele

Finland

Tel: +358 207 935 500

[www.pulseeng.com/antennas](http://www.pulseeng.com/antennas)

#### External Antennas

##### Sales Contacts

USA 858 674 8100

UK 44 1483 401 700

France 33 3 84 35 04 04

Singapore 65 6287 8998

Shanghai 86 21 32181071

China 86 769 5538070

Taiwan 886 2 26980228

