

# Resistance Weld SMD Crystal



Model: HC49SDLF

RoHS Compliant / Pb Free

Rev. 2/27/2006

Page 1 of 2

[http://www.foxonline.com/need\\_a\\_sample.htm](http://www.foxonline.com/need_a_sample.htm)



## FEATURES

- Stock Standard (see page 2)
- Fundamental to 50 MHz
- Tape and Reel (1,000 pcs. STD)

## OPTIONS

- Tolerances to 10 PPM
- Stabilities to 5 PPM
- 4 Pad HC49SPXLF (alternative to FPXLF)
- Temperatures to -40°C ~ +105°C
- 3.2mm Height Max (HC49SSDLF)

## • PART NUMBER [Learn More](#) - Internet Required

Part Number	Model Number	Frequency Range (MHz)
278LF-Frequency-xxxxx	HC49SDLF	3.200 ~ 70.000

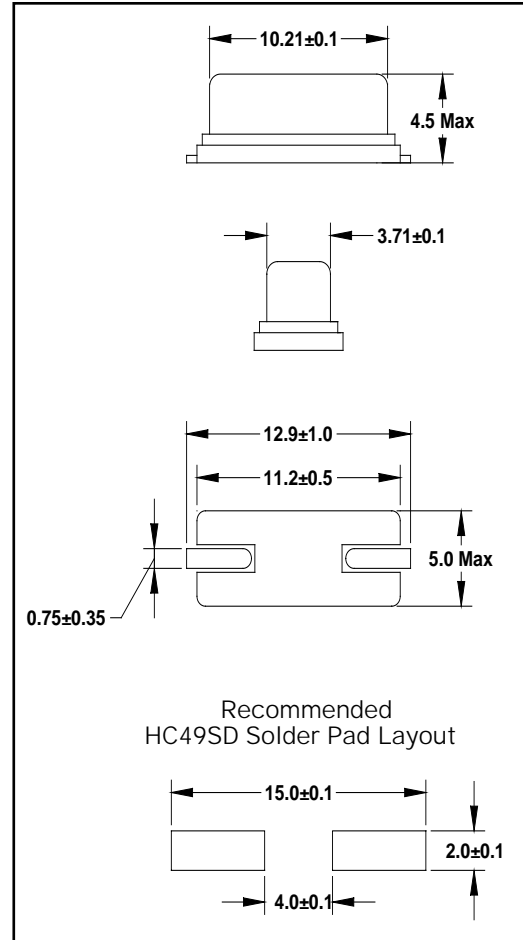
## • STANDARD SPECIFICATIONS<sup>1</sup>

PARAMETERS	MAX (unless otherwise noted)
Frequency Range	3.200 ~ 70.000 MHz
Frequency Tolerance @ 25°C	±50 PPM <sup>1,2</sup>
Frequency Stability, ref @ 25°C Over Operating Temp Range	±50 PPM <sup>1</sup>
Temperature Range	
Operating (TOPR)	-20°C ~ +70°C <sup>1</sup>
Storage (TSTG)	-40°C ~ +85°C
Shunt Capacitance (Co)	7pF
Load Capacitance (CL)	10 pF ~ Series (Customer Specified)
Drive Level	0.5 mW
Aging per year	±5 PPM
Maximum Soldering Temp / Time	260°C / 10 Seconds
Moisture Sensitivity Level (MSL)	1

<sup>1</sup> Other tolerances, stabilities & operating temperature ranges available. Consult Fox Customer Service for specific requirements.

<sup>2</sup> Crystal has a ±30ppm tolerance specification for all standard part numbers. These part numbers are listed on page 2 of this datasheet.

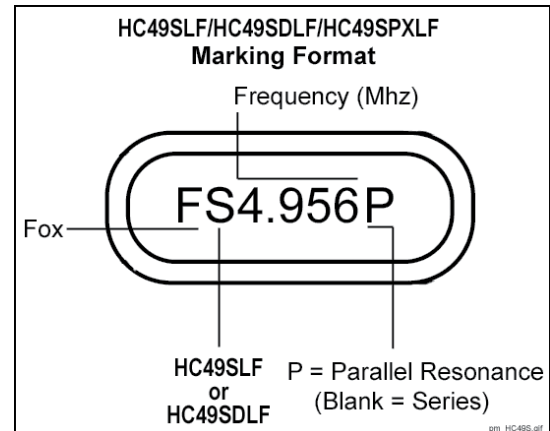
All specifications subject to change without notice.



All dimensions are in millimeters.

TERMINATION FINISH: Sn/3.0Ag/0.5Cu

Frequency Range (MHz)	Operating Mode	Max ESR Ω
3.200 ~ 3.500	Fundamental	300
3.500+ ~ 4.000	Fundamental	200
4.000+ ~ 5.000	Fundamental	150
5.000+ ~ 6.000	Fundamental	120
6.000+ ~ 7.000	Fundamental	100
7.000+ ~ 9.000	Fundamental	80
9.000+ ~ 13.000	Fundamental	60
13.000+ ~ 20.000	Fundamental	40
20.000+ ~ 50.000	Fundamental	30
27.000 ~ 70.000	3rd OT	100



# Resistance Weld SMD Crystal



Model: HC49SDLF

RoHS Compliant / Pb Free

Rev. 2/27/2006

Page 2 of 2

[http://www.foxonline.com/need\\_a\\_sample.htm](http://www.foxonline.com/need_a_sample.htm)



• FOX STANDARD SPECIFICATIONS	
PARAMETER	HC49SDLF
Frequency Tolerance @ 25°C	±30PPM
Frequency Stability	±50PPM
Operating Temperature Range	-20°C ~ +70°C

All specifications subject to change without notice.

## • HC49SDLF Standard Crystals

Frequency	CL	HC49SDLF Part Number	ESR $\Omega$ Max
3.579545	18pF	FOXSDLF/036S	200
3.686400	20pF	FOXSDLF/0368-20	200
4.000000	20pF	FOXSDLF/040	150
4.194304	12pF	FOXSDLF/041	150
4.915200	20pF	FOXSDLF/049-20	150
6.000000	20pF	FOXSDLF/060-20	120
7.372800	20pF	FOXSDLF/073-20	80
8.000000	20pF	FOXSDLF/080-20	80
8.192000	20pF	FOXSDLF/081-20	80
10.000000	20pF	FOXSDLF/100-20	60
11.059200	20pF	FOXSDLF/115-20	60
12.000000	20pF	FOXSDLF/120-20	60
12.288000	20pF	FOXSDLF/128-20	60
14.318180	20pF	FOXSDLF/143-20	40
14.745600	20pF	FOXSDLF/147-20	40
16.000000	20pF	FOXSDLF/160-20	40
20.000000	20pF	FOXSDLF/200-20	30
22.118400	20pF	FOXSDLF/221-20	30
24.000000	20pF	FOXSDLF/240F-20 (Fundamental)	30
24.576000	20pF	FOXSDLF/245F-20 (Fundamental)	30
25.000000	20pF	FOXSDLF/250F-20 (Fundamental)	30

## • TAPE SPECIFICATIONS (millimeters)

MODEL	A	B	C	D	E	F	STD Reel QTY
HC49SDLF	Ø1.5	4.0	12.0	11.5	24.0	4.8	1,000

## • REEL SPECIFICATIONS (millimeters)

MODEL	G	H	I	J	K	L	M
HC49SDLF	2.0	Ø13	Ø21	Ø80	Ø330	25.5	2.0

