

Ohmite's Little Demons are small, reliable carbon composition resistors with exceptional strength. They are made tough by a molding process that combines the terminals, insulation and resistive element into an integrated unit. Along with their small size, Little Demons perform with low noise, dissipate heat rapidly and offer high temperature stability.

Color codes are readable even after prolonged use thanks to a very durable coating that resists abrasions and chipping normally associated with automatic insertion equipment.

FEATURES

- Molded insulation for high dielectric strength.
- Rugged construction.
- Available in Resistor Cabinet Assortments & 100 pc packs.
- High surge capabilities.
- Comparable to "Mil" RC07, RC20, and RC32 types.

SPECIFICATIONS

Material

Terminals: Solder-coated copper terminal.

Body: Molded Phenolic

Electrical

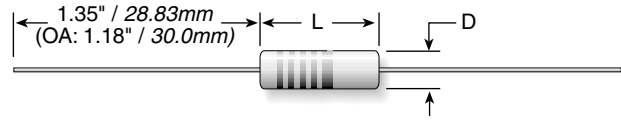
Tolerance: ±5% (OD/OF); ±10% (OA)

Derating: Linearly from 100% @ +70°C to 0% @ 130°C



Little Demon®

Carbon Composition Molded OD/OF Series (5% Tol.) OA Series (10%)



ORDERING INFO

RoHS compliant

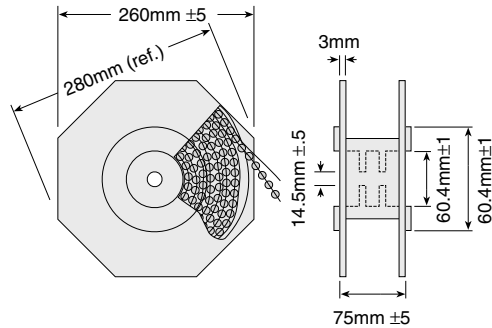
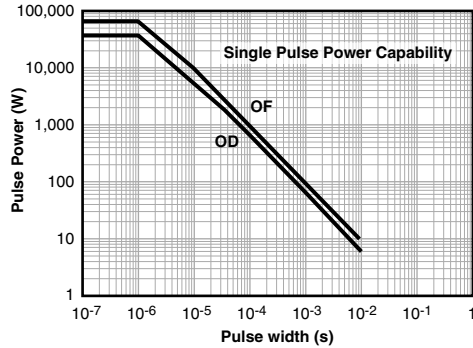
OD 683 JE

Series	Ohms	Tolerance
OD 68G =	68	J = 5%
OF 680 =	68	K = 10%
OA 681 =	680	
	682 = 6,800	
	683 = 68,000	
	684 = 680,000	

Series	Wattage	Ohms	Dimensions (in. / mm)		Max. Dielectric		
			Length	Max Diam.	Voltage	VAC	Lead Dia.
OD	0.25	2.2-5.6M	0.276 / 7.0	0.098 / 2.5	250	500	0.024 / 0.60
OF	0.50	2.2-20M	0.406 / 10.3	0.150 / 3.8	350	700	0.028 / 0.70
OA	1.00	2.2-1M	0.591 / 15.0	0.236 / 6.0	500	1000	0.035 / 0.92

PACKAGING

For complete Little Demon tape and reel dimensions, see: <http://www.ohmite.com/info/little-demon>



	OD	OF
Tape/Reel		
Qty./reel	5000	3000
Reel size (mm)	260	260
Qty./carton	40,000	24,000
Gross carton wt. (kg)	12	13
Carton size (m ³)	0.04	0.04
Ammo Box		
Tape width (mm)	52	52
Qty./box	2000	2000
Qty./carton	30,000	30,000
Gross carton wt. (kg)	10	16
Carton size (m ³)	0.03	0.05

STANDARD PART NUMBERS FOR LITTLE DEMON SERIES

Ohmic value		Wattage			Ohmic value		Wattage			Ohmic value		Wattage			Ohmic value		Wattage			Ohmic value		Wattage													
Part No.	Prefix	Suffix	OD	OF	OA * 1.0	Part No.	Prefix	Suffix	OD	OF	OA * 1.0	Part No.	Prefix	Suffix	OD	OF	OA * 1.0	Part No.	Prefix	Suffix	OD	OF	OA * 1.0	Part No.	Prefix	Suffix	OD	OF	OA * 1.0	Part No.	Prefix	Suffix	OD	OF	OA * 1.0
2.2	—	22GJE	✓	✓	✓	33	—	330JE	✓	✓	✓	470	—	471JE	✓	✓	✓	6800	—	682JE	✓	✓	✓	100,000	—	104JE	✓	✓	✓	1.5M	—	155JE	✓	✓	
2.4	—	24GJE	✓	✓	✓	36	—	360JE	✓	✓	✓	510	—	511JE	✓	✓	✓	7500	—	752JE	✓	✓	✓	110,000	—	114JE	✓	✓	✓	1.6M	—	165JE	✓	✓	
2.7	—	27GJE	✓	✓	✓	39	—	390JE	✓	✓	✓	560	—	561JE	✓	✓	✓	8200	—	822JE	✓	✓	✓	120,000	—	124JE	✓	✓	✓	1.8M	—	185JE	✓	✓	
3	—	30GJE	✓	✓	✓	43	—	430JE	✓	✓	✓	620	—	621JE	✓	✓	✓	9100	—	912JE	✓	✓	✓	130,000	—	134JE	✓	✓	✓	2.0M	—	205JE	✓	✓	
3.3	—	33GJE	✓	✓	✓	47	—	470JE	✓	✓	✓	680	—	681JE	✓	✓	✓	10,000	—	103JE	✓	✓	✓	150,000	—	154JE	✓	✓	✓	2.2M	—	225JE	✓	✓	
3.6	—	36GJE	✓	✓	✓	51	—	510JE	✓	✓	✓	750	—	751JE	✓	✓	✓	11,000	—	113JE	✓	✓	✓	160,000	—	164JE	✓	✓	✓	2.4M	—	245JE	✓	✓	
3.9	—	39GJE	✓	✓	✓	56	—	560JE	✓	✓	✓	820	—	821JE	✓	✓	✓	12,000	—	123JE	✓	✓	✓	180,000	—	184JE	✓	✓	✓	2.7M	—	275JE	✓	✓	
4.3	—	43GJE	✓	✓	✓	62	—	620JE	✓	✓	✓	910	—	911JE	✓	✓	✓	13,000	—	133JE	✓	✓	✓	200,000	—	204JE	✓	✓	✓	3.0M	—	305JE	✓	✓	
4.7	—	47GJE	✓	✓	✓	68	—	680JE	✓	✓	✓	1000	—	102JE	✓	✓	✓	15,000	—	153JE	✓	✓	✓	220,000	—	224JE	✓	✓	✓	3.3M	—	335JE	✓	✓	
5.1	—	51GJE	✓	✓	✓	75	—	750JE	✓	✓	✓	1100	—	112JE	✓	✓	✓	16,000	—	163JE	✓	✓	✓	240,000	—	244JE	✓	✓	✓	3.6M	—	365JE	✓	✓	
5.6	—	56GJE	✓	✓	✓	82	—	820JE	✓	✓	✓	1200	—	122JE	✓	✓	✓	18,000	—	183JE	✓	✓	✓	270,000	—	274JE	✓	✓	✓	3.9M	—	395JE	✓	✓	
6.2	—	62GJE	✓	✓	✓	91	—	910JE	✓	✓	✓	1300	—	132JE	✓	✓	✓	20,000	—	203JE	✓	✓	✓	300,000	—	304JE	✓	✓	✓	4.3M	—	435JE	✓	✓	
6.8	—	68GJE	✓	✓	✓	100	—	101JE	✓	✓	✓	1500	—	152JE	✓	✓	✓	22,000	—	223JE	✓	✓	✓	330,000	—	334JE	✓	✓	✓	4.7M	—	475JE	✓	✓	
7.5	—	75GJE	✓	✓	✓	110	—	111JE	✓	✓	✓	1600	—	162JE	✓	✓	✓	24,000	—	243JE	✓	✓	✓	360,000	—	364JE	✓	✓	✓	5.1M	—	515JE	✓	✓	
8.2	—	82GJE	✓	✓	✓	120	—	121JE	✓	✓	✓	1800	—	182JE	✓	✓	✓	27,000	—	273JE	✓	✓	✓	390,000	—	394JE	✓	✓	✓	5.6M	—	565JE	✓	✓	
9.1	—	91GJE	✓	✓	✓	130	—	131JE	✓	✓	✓	2000	—	202JE	✓	✓	✓	30,000	—	303JE	✓	✓	✓	430,000	—	434JE	✓	✓	✓	6.2M	—	625JE	✓	✓	
10	—	100JE	✓	✓	✓	150	—	151JE	✓	✓	✓	2200	—	222JE	✓	✓	✓	33,000	—	333JE	✓	✓	✓	470,000	—	474JE	✓	✓	✓	6.8M	—	685JE	✓	✓	
11	—	110JE	✓	✓	✓	160	—	161JE	✓	✓	✓	2400	—	242JE	✓	✓	✓	36,000	—	363JE	✓	✓	✓	510,000	—	514JE	✓	✓	✓	7.5M	—	755JE	✓	✓	
12	—	120JE	✓	✓	✓	180	—	181JE	✓	✓	✓	2700	—	272JE	✓	✓	✓	39,000	—	393JE	✓	✓	✓	560,000	—	564JE	✓	✓	✓	8.2M	—	825JE	✓	✓	
13	—	130JE	✓	✓	✓	200	—	201JE	✓	✓	✓	3000	—	302JE	✓	✓	✓	43,000	—	433JE	✓	✓	✓	620,000	—	624JE	✓	✓	✓	9.1M	—	915JE	✓	✓	
15	—	150JE	✓	✓	✓	220	—	221JE	✓	✓	✓	3300	—	332JE	✓	✓	✓	47,000	—	473JE	✓	✓	✓	680,000	—	684JE	✓	✓	✓	10M	—	106JE	✓	✓	
16	—	160JE	✓	✓	✓	240	—	241JE	✓	✓	✓	3600	—	362JE	✓	✓	✓	51,000	—	513JE	✓	✓	✓	750,000	—	754JE	✓	✓	✓	11M	—	116JE	✓	✓	
18	—	180JE	✓	✓	✓	270	—	271JE	✓	✓	✓	3900	—	392JE	✓	✓	✓	56,000	—	563JE	✓	✓	✓	820,000	—	824JE	✓	✓	✓	12M	—	126JE	✓	✓	
20	—	200JE	✓	✓	✓	300	—	301JE	✓	✓	✓	4300	—	432JE	✓	✓	✓	62,000	—	623JE	✓	✓	✓	910,000	—	914JE	✓	✓	✓	13M	—	136JE	✓	✓	
22	—	220JE	✓	✓	✓	330	—	331JE	✓	✓	✓	4700	—	472JE	✓	✓	✓	68,000	—	683JE	✓	✓	✓	1M	—	105JE	✓	✓	✓	15M	—	156JE	✓	✓	
24	—	240JE	✓	✓	✓	360	—	361JE	✓	✓	✓	5100	—	512JE	✓	✓	✓	75,000	—	753JE	✓	✓	✓	1.1M	—	115JE	✓	✓	✓	16M	—	166JE	✓	✓	
27	—	270JE	✓	✓	✓	390	—	391JE	✓	✓	✓	5600	—	562JE	✓	✓	✓	82,000	—	823JE	✓	✓	✓	1.2M	—	125JE	✓	✓	✓	18M	—	186JE	✓	✓	
30	—	300JE	✓	✓	✓	430	—	431JE	✓	✓	✓	6200	—	622JE	✓	✓	✓	91,000	—	913JE	✓	✓	✓	1.3M	—	135JE	✓	✓	✓	20M	—	206JE	✓	✓	

* Shaded area: Change "J" in Suffix to "K"