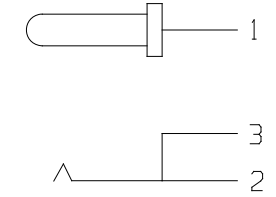
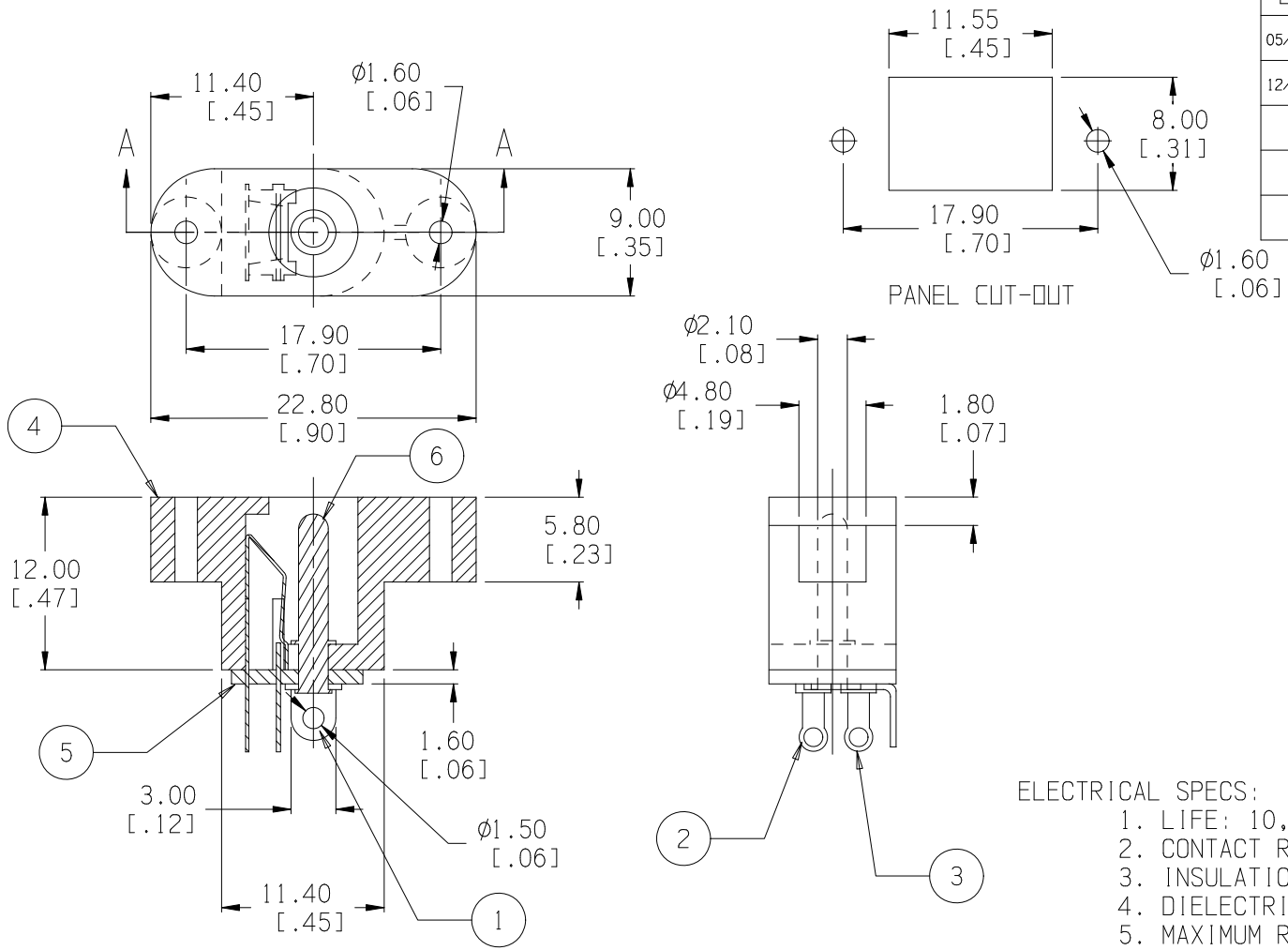


Date	SYM	REVISION RECORD	AUTH	DR.	CK.
05/08/04	A	ADDED ELECTRICAL SPECS	T.B.	B.S.	
12/05/14	B	UPDATED TO ROHS 2 COMPLIANT	T.B.	B.S.	



SCHEMATIC DIAGRAM

ELECTRICAL SPECS:
 1. LIFE: 10,000 INSERTION/WITHDRAWAL CYCLE MINIMUM
 2. CONTACT RESISTANCE: 50mΩ MAXIMUM
 3. INSULATION RESISTANCE: 1000mΩ MINIMUM
 4. DIELECTRIC WITHSTANDING VOLTAGE: 500V AC MAXIMUM
 5. MAXIMUM RATING: 5A, 12V DC
 ROHS 2 COMPLIANT

ITEM NO.	PART NAME	MATL. SPECIFICATION	Tolerance (Inches)	MPD Memory Protection Devices, Inc. 200 Broad Hollow Road, Farmingdale, New York 11735	
1	PIN TERMINAL	0.4 THK BRASS, SILVER PLTD.	Decimal	Scale	Drawn By B.S.
2	SLEEVE SPRING	0.2 THK PHOSPHORSCENT BRONZE, SILVER PLTD.			
3	BREAK TERMINAL	0.3 THK BRASS, SILVER PLTD.	±.5 (.020)	Title	Approved By T.B.
4	HOUSING	BLACK, P.B.T.			
5	INSULATOR	BAKELITE, NATURAL			
6	PIN (Ø.1)	COPPER, NICKLE PLTD.	Fractional	DC JACK - PANEL MOUNT TYPE	
			Angular	Date	Drawing Number
			± 3°	12/05/14	EJ505A