

CF-LA

NEW

RoHS Compliance



UL **cULus** **ENEC**

Features

1. High inrush rocker switches
2. Inrush 160A max.
3. Five kinds of terminal style
4. Dust proof type (IP40)
5. cULus, UL(TV-8), and ENEC listed.

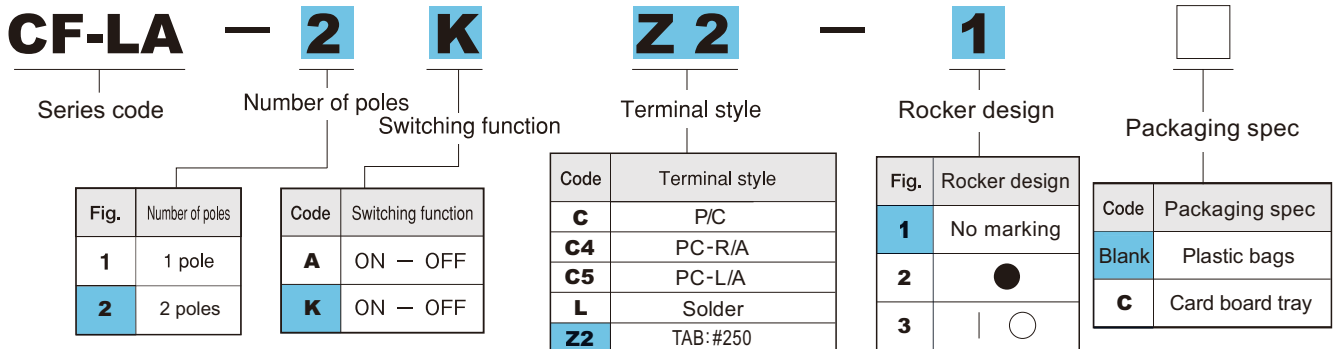
Specifications

Rating	Max.	16A125V AC or 16A250V AC (Resistive load)
	Min.	AC/DC5V 10mA
Initial contact resistance	20mΩ max.	
Initial Dielectric strength	1500V AC 1minute.	
Initial insulation resistance	100MΩ min.	
Operating force	1~8N	
Electrical life	20,000 cycles	
Operating temperature range	-25~+85°C	
Storage temperature range	-40~+85°C	

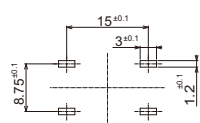
Approvals

cULus, UL : E43275
ENEC : SE/05105-04

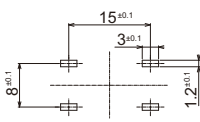
Part Numbering



PC Hole Layouts

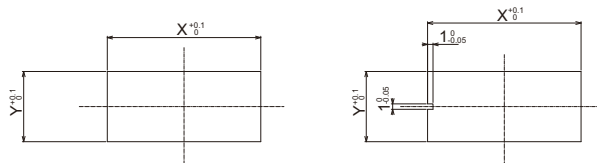


P/C

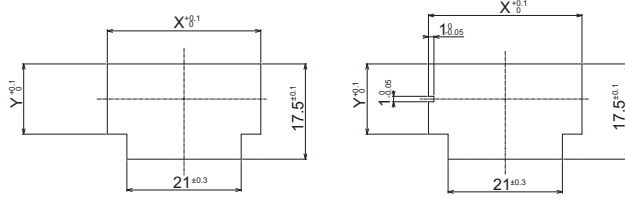


R/A, L/A

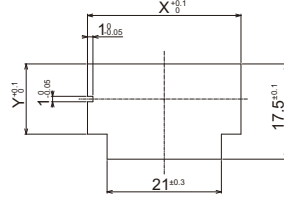
Panel Cut-Out Dimensions



P/C, TAB



R/A, L/A

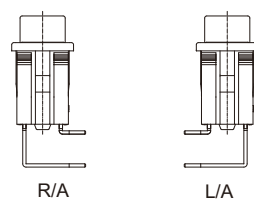


R/A

Panel thickness	X	Y
0.75~1.25	28.2	12.9
Min.1.25~2	28.4	12.9
2~3	28.8	12.9

Terminal Styles

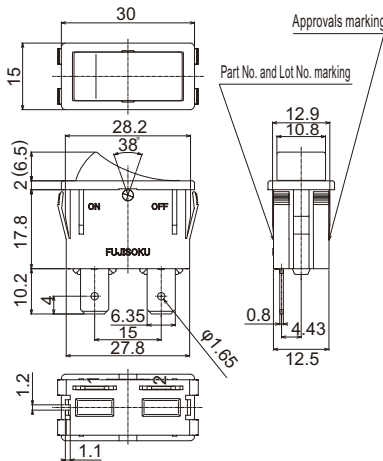
Solder (Style : L)	TAB#250 (Style : Z2)	PC (Style : C)	R/A (Style : C4) L/A (Style : C5)
R1.6 R0.83 6.35 t=0.8	φ1.65 6.35 t=0.8	4 5.5 t=0.8	8 0.8 4.2 12.5



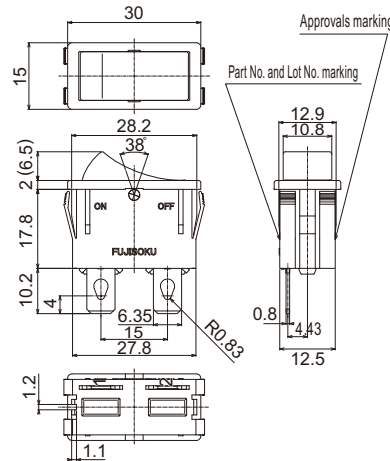
※ PCB-L/A is available in DPST only.

Outline dimensions

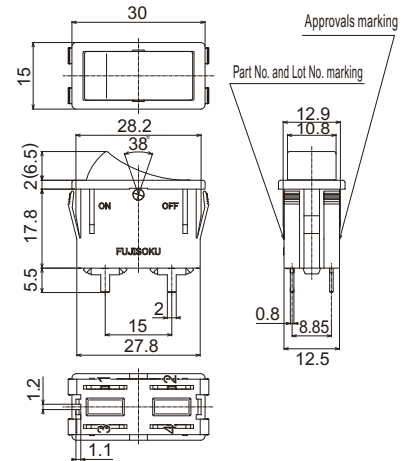
● TAB #250 / 1 Pole



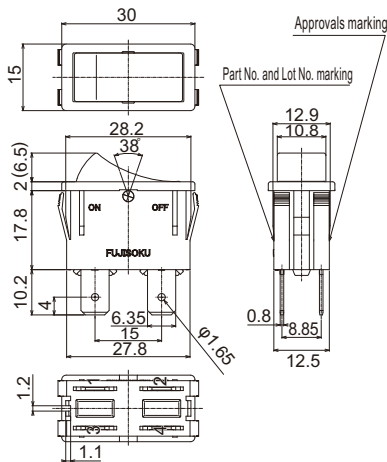
● Solder / 1 Pole



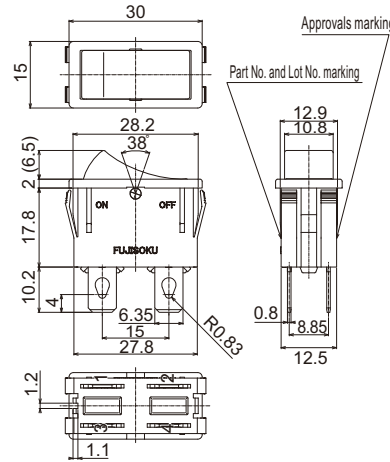
● P/C / 1 and 2 Poles



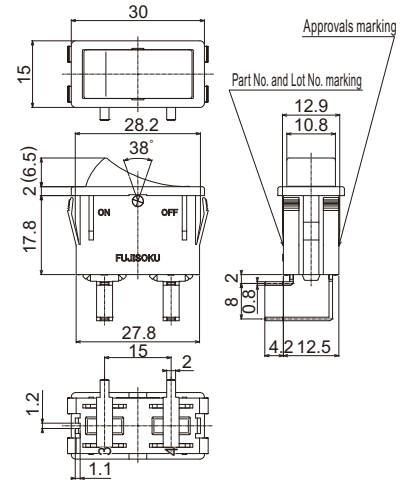
● TAB #250 / 2 Poles



● Solder / 2 Poles



● PC-R/A / 2 Poles



List of part numbers

Number of poles	Switching function	Terminal style	Rocker design			Pieces in package	
			Unfigured	●	○		
1 Pole	ON—OFF	P/C	CF-LA-1AC-1C	CF-LA-1AC-2C	CF-LA-1AC-3C	Card board tray 100 pcs./pack	
		PC-R/A	CF-LA-1AC4-1C	CF-LA-1AC4-2C	CF-LA-1AC4-3C		
		Solder	CF-LA-1AL-1C	CF-LA-1AL-2C	CF-LA-1AL-3C		
		Tab:#250	CF-LA-1AZ2-1C	CF-LA-1AZ2-2C	CF-LA-1AZ2-3C		
2 Poles	ON—OFF	P/C	CF-LA-2KC-1C	CF-LA-2KC-2C	CF-LA-2KC-3C		
		PC-R/A	CF-LA-2KC4-1C	CF-LA-2KC4-2C	CF-LA-2KC4-3C		
		PC-L/A	CF-LA-2KC5-1C	CF-LA-2KC5-2C	CF-LA-2KC5-3C		
		Solder	CF-LA-2KL-1C	CF-LA-2KL-2C	CF-LA-2KL-3C		
2 Poles	ON—OFF	Tab:#250	CF-LA-2KZ2-1C	CF-LA-2KZ2-2C	CF-LA-2KZ2-3C		
		P/C	CF-LA-1AC-1	CF-LA-1AC-2	CF-LA-1AC-3		Plastic bags 5 pcs./pack
		PC-R/A	CF-LA-1AC4-1	CF-LA-1AC4-2	CF-LA-1AC4-3		
		Solder	CF-LA-1AL-1	CF-LA-1AL-2	CF-LA-1AL-3		
1 Pole	ON—OFF	Tab:#250	CF-LA-1AZ2-1	CF-LA-1AZ2-2	CF-LA-1AZ2-3		
		P/C	CF-LA-2KC-1	CF-LA-2KC-2	CF-LA-2KC-3		
		PC-R/A	CF-LA-2KC4-1	CF-LA-2KC4-2	CF-LA-2KC4-3		
		PC-L/A	CF-LA-2KC5-1	CF-LA-2KC5-2	CF-LA-2KC5-3		
2 Poles	ON—OFF	Solder	CF-LA-2KL-1	CF-LA-2KL-2	CF-LA-2KL-3		
		Tab:#250	CF-LA-2KZ2-1	CF-LA-2KZ2-2	CF-LA-2KZ2-3		

Soldering

(1) Auto soldering

Device : Jet wave or dip type
260°C 5~6sec Max.

● Preheat should be within 80-150°C, 180sec.
Applicable to PC terminals only.

(2) Hand soldering

Device : Solder iron
380°C Max. 3sec Max.

COPAL ELECTRONICS Group
FUJISOKU CORPORATION