

REAL-TIME CLOCK (RTC)

 Check for Samples: [BQ32000](#)

FEATURES

- Automatic Switchover to Backup Supply
- I²C Interface
Supports Serial Clock up to 400 kHz
- Uses 32.768-kHz Crystal
With –63-ppm to +126-ppm Adjustment
- Integrated Oscillator-Fail Detection
- 8-Pin SOIC Package
- –40°C to 85°C Ambient Operating Temperature

APPLICATIONS

- General consumer electronics

DESCRIPTION

The bq32000 device is a compatible replacement for industry standard real-time clocks.

The bq32000 features an automatic backup supply with integrated trickle charger. The backup supply can be implemented using a capacitor or non-rechargeable battery. The bq32000 has a programmable calibration adjustment from –63 ppm to +126 ppm. The bq32000 registers include an OF (oscillator fail) flag indicating the status of the RTC oscillator, as well as a STOP bit that allows the host processor to disable the oscillator. The time registers are normally updated once per second, and all the registers are updated at the same time to prevent a timekeeping glitch. The bq32000 includes automatic leap-year compensation.

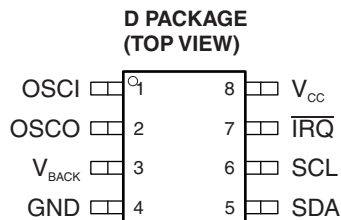
ORDERING INFORMATION⁽¹⁾

T _A	PACKAGE ⁽²⁾		ORDERABLE PART NUMBER	TOP-SIDE MARKING
–40°C to 85°C	SOIC – D	Reel of 2500	BQ32000DR	bq32000 xx y zzzz ⁽³⁾

- (1) For the most current package and ordering information, see the Package Option Addendum at the end of this document, or see the TI web site at www.ti.com.
- (2) Package drawings, thermal data, and symbolization are available at www.ti.com/packaging.
- (3) xx = date code, y = assembly site, zzzz = lot code

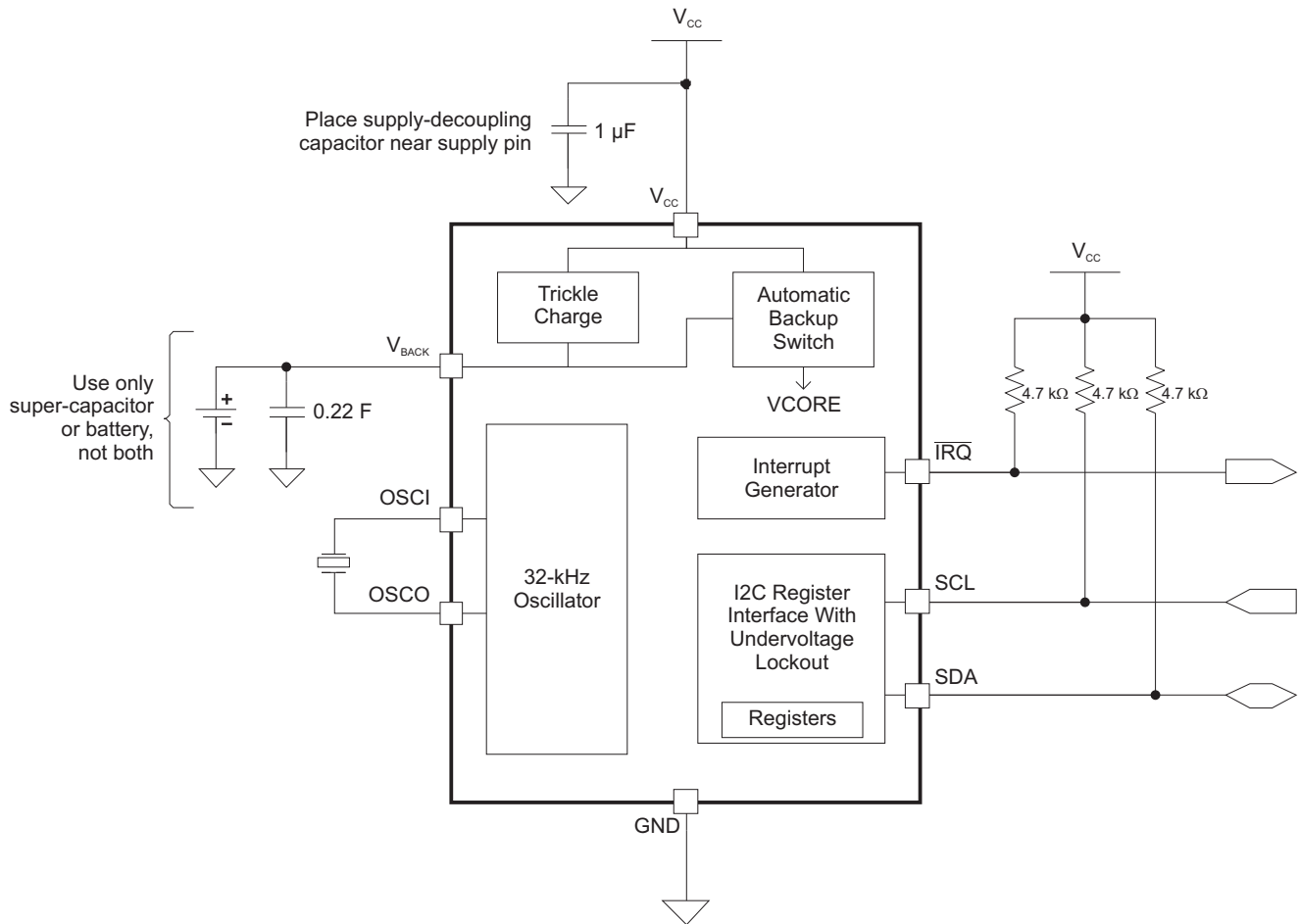


Please be aware that an important notice concerning availability, standard warranty, and use in critical applications of Texas Instruments semiconductor products and disclaimers thereto appears at the end of this data sheet.

**TERMINAL FUNCTIONS**

NAME	NO.	TYPE	DESCRIPTION
Power and Ground			
V_{CC}	8	-	Main device power
GND	4	-	Ground
V_{BACK}	3	-	Backup device power
Serial Interface			
SCL	6	I	I ² C serial interface clock
SDA	5	I/O	I ² C serial data
Interrupt			
\overline{IRQ}	7	O	Configurable interrupt output. Open-drain output.
Oscillator			
OSCI	1	-	Oscillator input
OSCO	2	-	Oscillator output

FUNCTIONAL BLOCK DIAGRAM AND APPLICATION CIRCUIT



ABSOLUTE MAXIMUM RATINGS⁽¹⁾

over operating free-air temperature range (unless otherwise noted)

		LIMIT	UNIT	
V _{IN}	Input voltage	V _{CC} to GND	-0.3 to 4	V
		All other pins to GND	-0.3 to V _{CC} + 0.3	V
T _J	Operating junction temperature	-40 to 150	°C	
T _{STG}	Storage temperature range after reflow	-60 to 150	°C	

- (1) Stresses beyond those listed under *absolute maximum ratings* may cause permanent damage to the device. These are stress ratings only, and functional operation of the device at these or any other conditions beyond those indicated under *recommended operating conditions* is not implied. Exposure to absolute-maximum-rated conditions for extended periods may affect device reliability.

RECOMMENDED OPERATING CONDITIONS

		MIN	TYP	MAX	UNIT
V _{CC}	Supply voltage, V _{CC} to GND	3		3.6	V
T _A	Operating free-air temperature	-40		85	°C
f _o	Crystal resonant frequency		32.768		kHz
R _S	Crystal series resistance			40	kΩ
C _L	Crystal load capacitance		12		pF

ELECTRICAL CHARACTERISTICS

over operating free-air temperature range (unless otherwise noted)

PARAMETER	TEST CONDITION	MIN	TYP	MAX	UNIT	
Power Supply						
I _{CC}	V _{CC} supply current		100		μA	
V _{BACK}	Backup supply voltage	Operating	1.4	V _{CC}	V	
		Switchover	2.0	V _{CC}		
I _{BACK}	Backup supply current	V _{CC} = 0 V, V _{BAT} = 3V, Oscillator on, T _A = 25°C		1.2	1.5	μA
Logic Level Inputs						
V _{IL}	Input low voltage			0.3 V _{CC}	V	
V _{IH}	Input high voltage		0.7 V _{CC}		V	
I _{IN}	Input current	0 V ≤ V _{IN} ≤ V _{CC}		-1	1	μA
Logic Level Outputs						
V _{OL}	Output low voltage	I _{OL} = 3 mA		0.4	V	
I _L	Leakage current	-1		1	μA	
Real-Time Clock Characteristics						
	Pre-calibration accuracy	V _{CC} = 3.3 V, V _{BAT} = 3 V, Oscillator on, T _A = 25°C		±35 ⁽¹⁾	ppm	

- (1) Typical accuracy is measured using reference board design and KDS DMX-26S surface-mount 32.768-kHz crystal. Variation in board design and crystal section results in different typical accuracy.

DEVICE INFORMATION

IRQ Function

The $\overline{\text{IRQ}}$ pin of the bq32000 functions as a general-purpose output or a frequency test output. The function of $\overline{\text{IRQ}}$ is configurable in the device register space by setting the FT, FTF, and OUT bits. On initial power cycles, the OUT bit is set to one, and the FTF and FT bits are set to zero. On subsequent power-ups, with backup supply present, the OUT bit remains unchanged, and the FTF and FT bits are set to zero. When operating on backup supply, the $\overline{\text{IRQ}}$ pin function is unused. $\overline{\text{IRQ}}$ pullup resistor should be tied to V_{CC} to prevent $\overline{\text{IRQ}}$ operation when operating on backup supply. The effect of the calibration logic is not normally observable when $\overline{\text{IRQ}}$ is configured to output 1 Hz. The calibration logic functions by periodically adjusting the width of the 1-Hz clock. The calibration effect is observable only every eight or sixteen minutes, depending on the sign of the calibration.

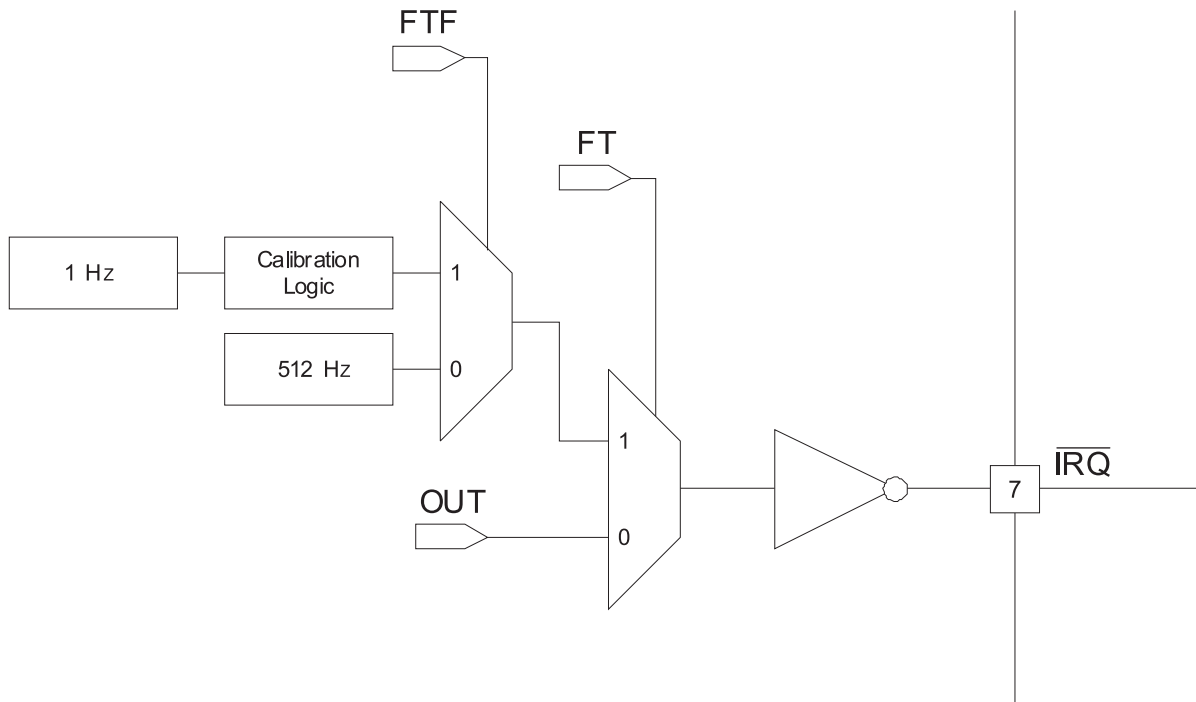


Figure 1. $\overline{\text{IRQ}}$ Pin Functional Diagram

Table 1. $\overline{\text{IRQ}}$ Function

FT	OUT	FTF	$\overline{\text{IRQ}}$ STATE
1	X	1	1 Hz
1	X	0	512 Hz
0	1	X	1
0	0	X	0

V_{BACK} Switchover

The bq32000 has an internal switchover circuit that causes the device to switch from main power supply to backup power supply when the voltage of the main supply pin V_{CC} drops below a minimum threshold. The V_{BACK} switchover circuit uses an internal reference voltage V_{REF} derived from the on-chip bandgap reference; V_{REF} is approximately 2.8 V. The device switches to the V_{BACK} supply when V_{CC} is less than the lesser of V_{BACK} or V_{REF}. Similarly, the device switches to the V_{CC} supply when V_{CC} is greater than either V_{BACK} or V_{REF}.

Some registers are reset to default values when the RTC switches from main power supply to backup power supply. Please see the register definitions to determine what register bits are effected by a backup switchover (effected bits have thier reset value (1/0) shown for 'Cycle', bits that are unchanged by backup are made 'UC').

The time keeping registers can take up to 1 second to update after the RTC switches from backup power supply to main power supply.

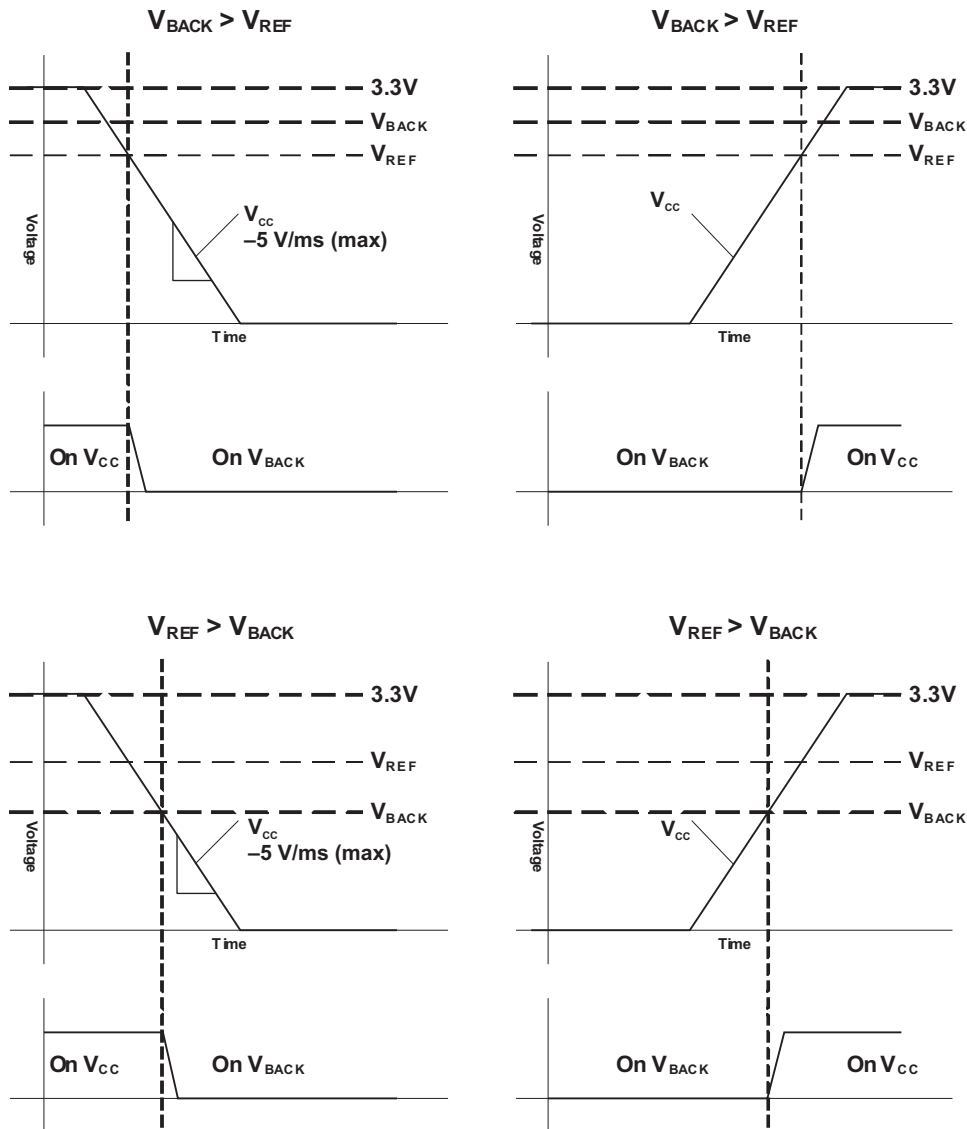


Figure 2. Switchover Diagram

Trickle Charge

The bq32000 includes a trickle charge circuit to maintain the charge of the backup supply when a super capacitor is used. The trickle charge circuit is implemented as a series of three switches that are independently controlled by setting the TCHE[3:0], TCH2, and TCFE bits in the register space.

TCHE[3:0] must be written as 0x5h and TCH2 as 1 to close the trickle charge switches and enable charging of the backup supply from V_{CC} . Additionally, TCFE can be set to 1 to bypass the internal diode and boost the charge voltage of the backup supply. All trickle charge switches are opened when the device is initially powered on and each time the device switches from the main supply to the backup supply. The trickle charge circuit is intended for use with super capacitors; however, it can be used with a rechargeable battery under certain conditions. Care must be taken not to overcharge a rechargeable battery when enabling trickle charge. Follow all charging guidelines specific to the rechargeable battery or super capacitor when enabling trickle charge.

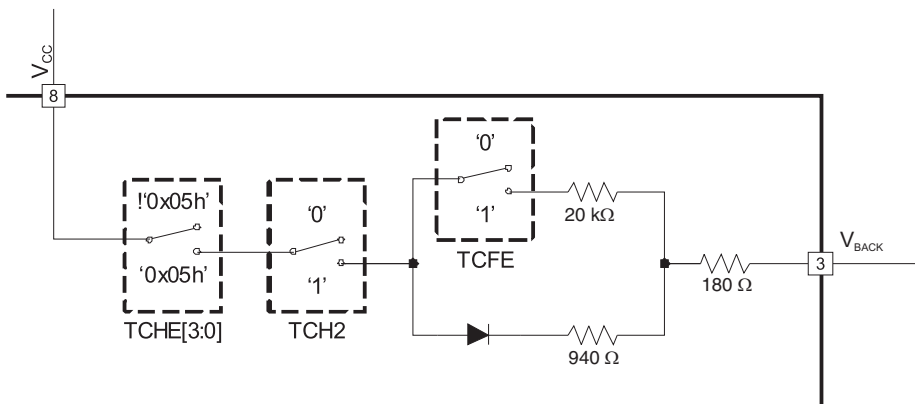


Figure 3. Trickle Charge Switch Functional Diagram

I²C Serial Interface

The I²C interface allows control and monitoring of the RTC by a microcontroller. I²C is a two-wire serial interface developed by Philips Semiconductor (see I²C-Bus Specification, Version 2.1, January 2000).

The bus consists of a data line (SDA) and a clock line (SCL) with off-chip pullup resistors. When the bus is idle, both SDA and SCL lines are pulled high.

A master device, usually a microcontroller or a digital signal processor, controls the bus. The master is responsible for generating the SCL signal and device addresses. The master also generates specific conditions that indicate the START and STOP of data transfer.

A slave device receives and/or transmits data on the bus under control of the master device. This device operates only as a slave device.

I²C communication is initiated by a master sending a start condition, a high-to-low transition on the SDA I/O while SCL is held high. After the start condition, the device address byte is sent, most-significant bit (MSB) first, including the data direction bit (R/W). After receiving a valid address byte, this device responds with an acknowledge, a low on the SDA I/O during the high of the acknowledge-related clock pulse. This device responds to the I²C slave address 11010000b for write commands and slave address 11010001b for read commands.

This device does not respond to the general call address.

A data byte follows the address acknowledge. If the $\overline{R/W}$ bit is low, the data is written from the master. If the $\overline{R/W}$ bit is high, the data from this device are the values read from the register previously selected by a write to the subaddress register. The data byte is followed by an acknowledge sent from this device. Data is output only if complete bytes are received and acknowledged.

A stop condition, which is a low-to-high transition on the SDA I/O while the SCL input is high, is sent by the master to terminate the transfer. A master device must wait at least 60 μ s after the RTC exits backup mode to generate a START condition.

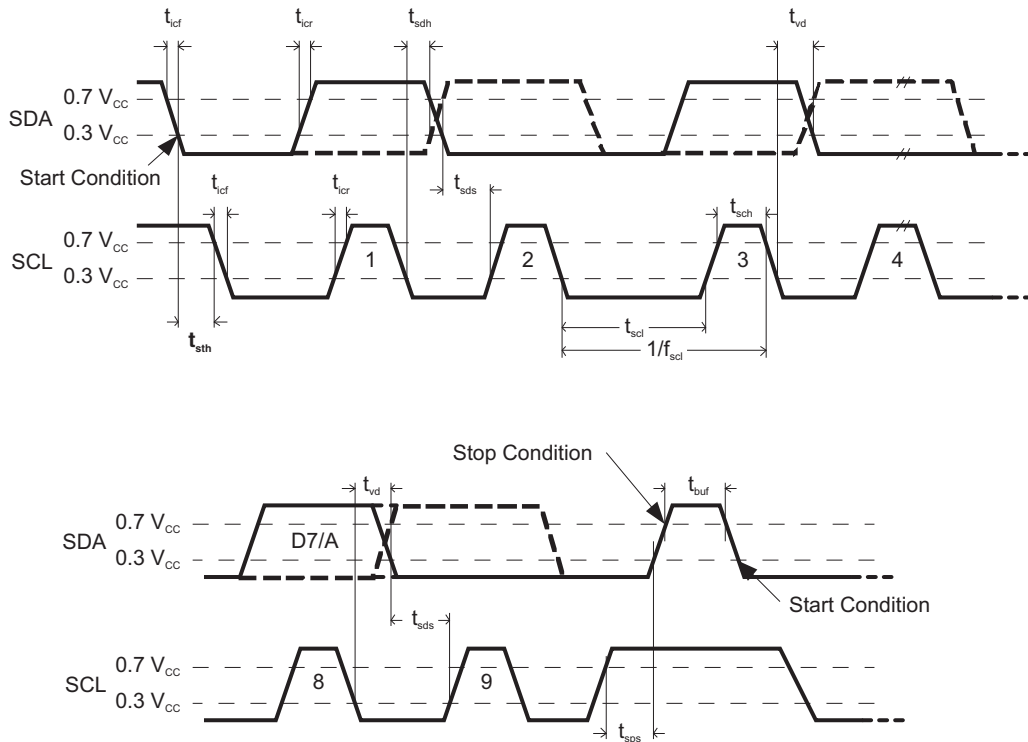


Figure 4. I²C Timing Diagram

Table 2. I²C Timing

PARAMETER		STANDARD MODE			FAST MODE			UNIT
		MIN	TYP	MAX	MIN	TYP	MAX	
f _{scl}	I ² C clock frequency	0		100	0		400	kHz
t _{sch}	I ² C clock high time	4			0.6			μs
t _{scl}	I ² C clock low time	4.7			1.3			μs
t _{sp}	I ² C spike time	0		50	0		50	ns
t _{sds}	I ² C serial data setup time	250			100			ns
t _{sdh}	I ² C serial data hold time	0			0			ns
t _{icr}	I ² C input rise time			1000	20 + 0.1C _b ⁽¹⁾		300	ns
t _{icf}	I ² C input fall time			300	20 + 0.1C _b ⁽¹⁾		300	ns
t _{ocf}	I ² C output fall time			300	20 + 0.1C _b ⁽¹⁾		300	μs
t _{buf}	I ² C bus free time	4.7			1.3			μs
t _{sts}	I ² C Start setup time	4.7			0.6			μs
t _{sth}	I ² C Start hold time	4			0.6			μs
t _{sps}	I ² C Stop setup time	4			0.6			μs
t _{vd (data)}	Valid data time (SCL low to SDA valid)			1			1	μs
t _{vd (ack)}	Valid data time of ACK (ACK signal from SCL low to SDA low)			1			1	μs

(1) C_b = total capacitance of one bus line in pF

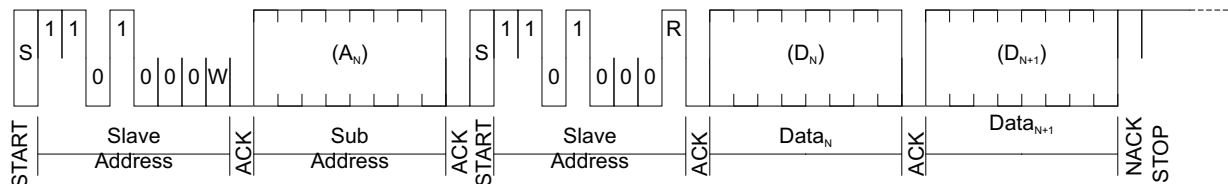


Figure 5. I²C Read Mode

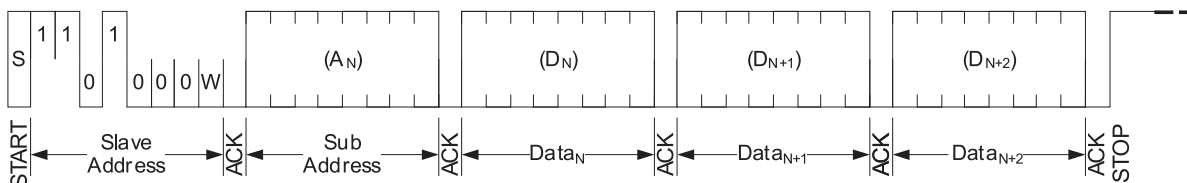


Figure 6. I²C Write Mode

Register Maps

Table 3. Normal Registers

REGISTER	ADDRESS (HEX)	REGISTER NAME	DESCRIPTION
0	0x00	SECONDS	Clock seconds and STOP bit
1	0x01	MINUTES	Clock minutes
2	0x02	CENT_HOURS	Clock hours, century, and CENT_EN bit
3	0x03	DAY	Clock day
4	0x04	DATE	Clock date
5	0x05	MONTH	Clock month
6	0x06	YEARS	Clock years
7	0x07	CAL_CFG1	Calibration and configuration
8	0x08	TCH2	Trickle charge enable
9	0x09	CFG2	Configuration 2

Table 4. Special Function Registers

REGISTER	ADDRESS (HEX)	REGISTER NAME	DESCRIPTION
32	0x20	SF KEY 1	Special function key 1
33	0x21	SF KEY 2	Special function key 2
34	0x22	SFR	Special function register

Normal Register Descriptions

Table 5. SECONDS Register

Address 0x00
Name SECONDS
Initial Value 0XXXXXXb
Description Clock seconds and STOP bit

D7	D6	D5	D4	D3	D2	D1	D0	BIT(S)
STOP	10_SECOND			1_SECOND				Name
r/w	r/w			r/w				Read/Write
0	X	X	X	X	X	X	X	Initial
UC	UC	UC	UC	UC	UC	UC	UC	Cycle

STOP Oscillator stop. The STOP bit is used to force the oscillator to stop oscillating. STOP is set to 0 on initial application of power, on all subsequent power cycles STOP remains unchanged. On initial power application STOP can be written to 1 and then written to 0 to force start the oscillator.

0 Normal
 1 Stop

10_SECOND BCD of tens of seconds. The 10_SECOND bits are the BCD representation of the number of tens of seconds on the clock. Valid values are 0 to 5. If invalid data is written to 10_SECOND, the clock will update with invalid data in 10_SECOND until the counter rolls over; thereafter, the data in 10_SECOND is valid. Time keeping registers can take up to 1 second to update after the RTC switches from backup power supply to main power supply.

1_SECOND BCD of seconds. The 1_SECOND bits are the BCD representation of the number of seconds on the clock. Valid values are 0 to 9. If invalid data is written to 1_SECOND, the clock will update with invalid data in 1_SECOND until the counter rolls over; thereafter, the data in 1_SECOND is valid. Time keeping registers can take up to 1 second to update after the RTC switches from backup power supply to main power supply.

Table 6. MINUTES Register

Address 0x01
Name MINUTES
Initial Value 1XXXXXXb
Description Clock minutes

D7	D6	D5	D4	D3	D2	D1	D0	BIT(S)
OF	10_MINUTE			1_MINUTE				Name
r/w	r/w			r/w				Read/Write
1	X	X	X	X	X	X	X	Initial
0	UC	UC	UC	UC	UC	UC	UC	Cycle

OF Oscillator fail flag. The OF bit is a latched flag indicating when the 32.768-kHz oscillator has dropped at least four consecutive pulses. The OF flag is always set on initial power-up, and it can be cleared through the serial interface. When OF is 0, no oscillator failure has been detected. When OF is 1, the oscillator fail detect circuit has detected at least four consecutive dropped pulses.

0 No failure detected
 1 Failure detected

10_MINUTE BCD of tens of minutes. The 10_MINUTE bits are the BCD representation of the number of tens of minutes on the clock. Valid values are 0 to 5. If invalid data is written to 10_MINUTE, the clock will update with invalid data in 10_MINUTE until the counter rolls over; thereafter, the data in 10_MINUTE is valid. Time keeping registers can take up to 1 second to update after the RTC switches from backup power supply to main power supply.

1_MINUTE BCD of minutes. The 1_MINUTE bits are the BCD representation of the number of minutes on the clock. Valid values are 0 to 9. If invalid data is written to 1_MINUTE, the clock will update with invalid data in 1_MINUTE until the counter rolls over; thereafter, the data in 1_MINUTE is valid. Time keeping registers can take up to 1 second to update after the RTC switches from backup power supply to main power supply.

Table 7. CENT_HOURS Register

Address 0x02
Name CENT_HOURS
Initial Value XXXXXXXXb
Description Clock hours, century, and CENT_EN bit

D7	D6	D5	D4	D3	D2	D1	D0	BIT(S)
CENT_EN	CENT	10_HOUR		1_HOUR				Name
r/w	r/w	r/w		r/w				Read/Write
X	X	X	X	X	X	X	X	Initial
UC	UC	UC	UC	UC	UC	UC	UC	Cycle

CENT_EN Century enable. The CENT_EN bit enables the century timekeeping feature. If CENT_EN is set to 1, then the clock tracks the century using the CENT bit. If CENT_EN is set to 0, the clock ignores the CENT bit.

0 Century disabled
1 Century enabled

CENT Century. The CENT bit tracks the century when century timekeeping is enabled. The clock toggles the CENT bit when the year count rolls from 99 to 00. Because the clock compliments the CENT bit, the user can define the meaning of CENT (1 for current century and 0 for next century, or 0 for current century and 1 for next century).

10_HOUR BCD of tens of hours (24-hour format). The 10_HOUR bits are the BCD representation of the number of tens of hours on the clock, in 24-hour format. Valid values are 0 to 2. If invalid data is written to 10_HOUR, the clock will update with invalid data in 10_HOUR until the counter rolls over; thereafter, the data in 10_HOUR is valid. Time keeping registers can take up to 1 second to update after the RTC switches from backup power supply to main power supply.

1_HOUR BCD of hours (24-hour format). The 1_HOUR bits are the BCD representation of the number of hours on the clock, in 24-hour format. Valid values are 0 to 9. If invalid data is written to 1_HOUR, the clock will update with invalid data in 1_HOUR until the counter rolls over; thereafter, the data in 1_HOUR is valid. Time keeping registers can take up to 1 second to update after the RTC switches from backup power supply to main power supply.

Table 8. DAY Register

Address 0x03
Name DAY
Initial Value 00000XXXb
Description Clock day

D7	D6	D5	D4	D3	D2	D1	D0	BIT(S)
RSVD				DAY				Name
r/w				r/w				Read/Write
0	0	0	0	0	X	X	X	Initial
0	0	0	0	0	UC	UC	UC	Cycle

RSVD Reserved. The RSVD bits should always be written as 0.

DAY BCD of the day of the week. The DAY bits are the BCD representation of the day of the week. Valid values are 1 to 7 and represent the days from Sunday to Saturday. DAY updates if set to 0 until the counter rolls over; thereafter, the data in DAY is valid. Time keeping registers can take up to 1 second to update after the RTC switches from backup power supply to main power supply.

1 Sunday
2 Monday
3 Tuesday
4 Wednesday
5 Thursday
6 Friday
7 Saturday

Table 9. DATE Register

Address 0x04
Name DATE
Initial Value 00XXXXXXb
Description Clock date

D7	D6	D5	D4	D3	D2	D1	D0	BIT(S)
RSVD		10_DATE		1_DATE				Name
r/w		r/w		r/w				Read/Write
0	0	X	X	X	X	X	X	Initial
0	0	UC	UC	UC	UC	UC	UC	Cycle

RSVD Reserved. The RSVD bits should always be written as 0.

10_DATE BCD of tens of date. The 10_DATE bits are the BCD representation of the tens of date on the clock. Valid values are 0 to 3⁽¹⁾. If invalid data is written to 10_DATE, the clock will update with invalid data in 10_DATE until the counter rolls over; thereafter, the data in 10_DATE is valid. Time keeping registers can take up to 1 second to update after the RTC switches from backup power supply to main power supply.

1_DATE BCD of date. The 1_DATE bits are the BCD representation of the date on the clock. Valid values are 0 to 9⁽¹⁾. If invalid data is written to 1_DATE, the clock will update with invalid data in 1_DATE until the counter rolls over; thereafter, the data in 1_DATE is valid. Time keeping registers can take up to 1 second to update after the RTC switches from backup power supply to main power supply.

(1) 10_DATE and 1_DATE must form a valid date, 01 to 31, dependent on month and year.

Table 10. MONTH Register

Address 0x05
Name MONTH
Initial Value 000XXXXXb
Description Clock month

D7	D6	D5	D4	D3	D2	D1	D0	BIT(S)
RSVD			10_MONTH	1_MONTH				Name
r/w			r/w	r/w				Read/Write
0	0	0	X	X	X	X	X	Initial
0	0	0	UC	UC	UC	UC	UC	Cycle

RSVD Reserved. The RSVD bits should always be written as 0.

10_MONTH BCD of tens of month. The 10_MONTH bits are the BCD representation of the tens of month on the clock. Valid values are 0 to 1⁽¹⁾. If invalid data is written to 10_MONTH, the clock will update with invalid data in 10_MONTH until the counter rolls over; thereafter, the data in 10_MONTH is valid.

1_MONTH BCD of month. The 1_MONTH bits are the BCD representation of the month on the clock. Valid values are 0 to 9⁽¹⁾. If invalid data is written to 1_MONTH, the clock will update with invalid data in 1_MONTH until the counter rolls over; thereafter, the data in 1_MONTH is valid.

(1) 10_MONTH and 1_MONTH must form a valid date, 01 to 12.

Table 11. YEARS Register

Address 0x06
Name YEARS
Initial Value XXXXXXXXb
Description Clock year

D7	D6	D5	D4	D3	D2	D1	D0	BIT(S)
10_YEAR				1_YEAR				Name
r/w				r/w				Read/Write
X	X	X	X	X	X	X	X	Initial
UC	UC	UC	UC	UC	UC	UC	UC	Cycle

10_YEAR BCD of tens of years. The 10_YEAR bits are the BCD representation of the tens of years on the clock. Valid values are 0 to 9. If invalid data is written to 10_YEAR, the clock will update with invalid data in 10_YEAR until the counter rolls over; thereafter, the data in 10_YEAR is valid. Time keeping registers can take up to 1 second to update after the RTC switches from backup power supply to main power supply.

1_YEAR BCD of year. The 1_YEAR bits are the BCD representation of the years on the clock. Valid values are 0 to 9. If invalid data is written to 1_YEAR, the clock will update with invalid data in 1_YEAR until the counter rolls over; thereafter, the data in 1_YEAR is valid. Time keeping registers can take up to 1 second to update after the RTC switches from backup power supply to main power supply.

Table 12. CAL_CFG1 Register

Address 0x07
Name CAL_CFG1
Initial Value 10000000b
Description Calibration and control

D7	D6	D5	D4	D3	D2	D1	D0	BIT(S)
OUT	FT	S	CAL					Name
r/w	r/w	r/w	r/w					Read/Write
1	0	0	0	0	0	0	0	Initial
UC	UC	UC	UC	UC	UC	UC	UC	Cycle

OUT Logic output, when FT = 0. When FT is zero, the logic output of $\overline{\text{IRQ}}$ pin reflects the value of OUT.

0 $\overline{\text{IRQ}}$ is logic 0

1 $\overline{\text{IRQ}}$ is logic 1

FT Frequency test. The FT bit is used to enable the frequency test signal on the $\overline{\text{IRQ}}$ pin. When FT is 1, a square wave is produced on the $\overline{\text{IRQ}}$ pin. The FTF bit in the SFR register determines the frequency of the test signal.

0 Disable

1 Enable

S Calibration sign. The S bit determines the polarity of the calibration applied to the oscillator. If S is 0, then the calibration slows the RTC. If S is 1, then the calibration speeds the RTC.

0 Slowing (+)

1 Speeding (–)

CAL Calibration. The CAL bits along with S determine the calibration amount as shown in [Table 13](#).

Table 13. Calibration

CAL (DEC)	S = 0	S = 1
0	+0 ppm	–0 ppm
1	+2 ppm	–4 ppm
N	+N / 491520 (per minute)	–N / 245760 (per minute)
30	+61 ppm	–122 ppm
31	+63 ppm	–126 ppm

Table 14. TCH2 Register

Address 0x08
Name TCH2
Initial Value 10010000b
Description Trickle charge TCH2 control

D7	D6	D5	D4	D3	D2	D1	D0	BIT(S)
RSVD		TCH2	RSVD					Name
r/w		r/w	r/w					Read/Write
1	0	0	1	0	0	0	0	Initial
UC	0	0	1	UC	UC	UC	UC	Cycle

RSVD Reserved. The RSVD bits should always be written as 0.

TCH2 Trickle charge switch two. The TCH2 bit determines if the internal trickle charge switch is closed or open. All the trickle charge switches must be closed in order for trickle charging to occur. If TCH2 is 0, then the TCH2 switch is open. If TCH2 is 1, then the TCH2 switch is closed.

0 Open
 1 Closed

Table 15. CFG2 Register

Address 0x09
Name CFG2
Initial Value 10101010b
Description Configuration 2

D7	D6	D5	D4	D3	D2	D1	D0	BIT(S)
RSVD	TCFE	RSVD		TCHE				Name
r/w	r/w	r/w		r/w				Read/Write
1	0	1	0	1	0	1	0	Initial
1	0	UC	UC	1	0	1	0	Cycle

RSVD Reserved. The RSVD bits should always be written as 0.

TCFE Trickle charge FET bypass. The TCFE bit is used to enable the trickle charge FET. When TCFE is 0, the FET is off. When TCFE is 1, the FET is on.

0 Open
 1 Closed

TCHE Trickle charge enable. The TCHE bits determine if the trickle charger is active. If TCHE is 0x5, then the trickle charger is active, otherwise, the trickle charger is inactive.

Special Function Registers

Table 16. SF KEY 1 Register

Address 0x20
Name SF KEY 1
Initial Value 00000000b
Description Special function key 1

D7	D6	D5	D4	D3	D2	D1	D0	BIT(S)
SF KEY B1								Name
r/w								Read/Write
0	0	0	0	0	0	0	0	Initial
0	0	0	0	0	0	0	0	Cycle

SF KEY B1 Special function access key byte 1. Reads as 0x00, and key is 0x5E.
 The SF KEY 1 and SF KEY 2 registers are used to enable access to the main special function register (SFR). Access to SFR is granted only after the special function keys are written sequentially to SF KEY 1 and SF KEY 2. Each write to the SFR must be preceded by writing the SF keys to the SF key registers, in order, SF KEY 1 then SF KEY 2.

Table 17. SF KEY 2 Register

Address 0x21
Name SF KEY 2
Initial Value 00000000b
Description Special function key 2

D7	D6	D5	D4	D3	D2	D1	D0	BIT(S)
SF KEY 2								Name
r/w								Read/Write
0	0	0	0	0	0	0	0	Initial
0	0	0	0	0	0	0	0	Cycle

SF KEY 2 Special function access key byte 2. Reads as 0x00, and key is 0xC7.
 The SF KEY 1 and SF KEY 2 registers are used to enable access to the main special function register (SFR). Access to SFR is granted only after the special function keys are written sequentially to SF KEY 1 and SF KEY 2. Each write to the SFR must be preceded by writing the SF keys to the SF key registers, in order, SF KEY 1 then SF KEY 2.

Table 18. SFR Register

Address 0x22
Name SFR
Initial Value 00000000b
Description Special function register 1

D7	D6	D5	D4	D3	D2	D1	D0	BIT(S)
RSVD							FTF	Name
r/w							r/w	Read/Write
0	0	0	0	0	0	0	0	Initial
0	0	0	0	0	0	0	0	Cycle

RSVD Reserved. The RSVD bits should always be written as 0.
FTF Force calibration to 1 Hz. FTF allows the frequency of the calibration output to be changed from 512 Hz to 1 Hz. By default, FTF is cleared, and the RTC outputs a 512-Hz calibration signal. Setting FTF forces the calibration signal to 1 Hz, and the calibration tracks the internal ppm adjustment. Note: The default 512-Hz calibration signal does not include the effect of the ppm adjustment.

0	Normal 512-Hz calibration
1	1-Hz calibration

PACKAGING INFORMATION

Orderable Device	Status ⁽¹⁾	Package Type	Package Drawing	Pins	Package Qty	Eco Plan ⁽²⁾	Lead/ Ball Finish	MSL Peak Temp ⁽³⁾	Samples (Requires Login)
BQ32000D	ACTIVE	SOIC	D	8	75	Green (RoHS & no Sb/Br)	CU NIPDAU	Level-1-260C-UNLIM	Purchase Samples
BQ32000DR	ACTIVE	SOIC	D	8	2500	Green (RoHS & no Sb/Br)	CU NIPDAU	Level-1-260C-UNLIM	Request Free Samples

⁽¹⁾ The marketing status values are defined as follows:

ACTIVE: Product device recommended for new designs.

LIFEBUY: TI has announced that the device will be discontinued, and a lifetime-buy period is in effect.

NRND: Not recommended for new designs. Device is in production to support existing customers, but TI does not recommend using this part in a new design.

PREVIEW: Device has been announced but is not in production. Samples may or may not be available.

OBsolete: TI has discontinued the production of the device.

⁽²⁾ Eco Plan - The planned eco-friendly classification: Pb-Free (RoHS), Pb-Free (RoHS Exempt), or Green (RoHS & no Sb/Br) - please check <http://www.ti.com/productcontent> for the latest availability information and additional product content details.

TBD: The Pb-Free/Green conversion plan has not been defined.

Pb-Free (RoHS): TI's terms "Lead-Free" or "Pb-Free" mean semiconductor products that are compatible with the current RoHS requirements for all 6 substances, including the requirement that lead not exceed 0.1% by weight in homogeneous materials. Where designed to be soldered at high temperatures, TI Pb-Free products are suitable for use in specified lead-free processes.

Pb-Free (RoHS Exempt): This component has a RoHS exemption for either 1) lead-based flip-chip solder bumps used between the die and package, or 2) lead-based die adhesive used between the die and leadframe. The component is otherwise considered Pb-Free (RoHS compatible) as defined above.

Green (RoHS & no Sb/Br): TI defines "Green" to mean Pb-Free (RoHS compatible), and free of Bromine (Br) and Antimony (Sb) based flame retardants (Br or Sb do not exceed 0.1% by weight in homogeneous material)

⁽³⁾ MSL, Peak Temp. -- The Moisture Sensitivity Level rating according to the JEDEC industry standard classifications, and peak solder temperature.

Important Information and Disclaimer: The information provided on this page represents TI's knowledge and belief as of the date that it is provided. TI bases its knowledge and belief on information provided by third parties, and makes no representation or warranty as to the accuracy of such information. Efforts are underway to better integrate information from third parties. TI has taken and continues to take reasonable steps to provide representative and accurate information but may not have conducted destructive testing or chemical analysis on incoming materials and chemicals. TI and TI suppliers consider certain information to be proprietary, and thus CAS numbers and other limited information may not be available for release.

In no event shall TI's liability arising out of such information exceed the total purchase price of the TI part(s) at issue in this document sold by TI to Customer on an annual basis.

TAPE AND REEL INFORMATION



QUADRANT ASSIGNMENTS FOR PIN 1 ORIENTATION IN TAPE



*All dimensions are nominal

Device	Package Type	Package Drawing	Pins	SPQ	Reel Diameter (mm)	Reel Width W1 (mm)	A0 (mm)	B0 (mm)	K0 (mm)	P1 (mm)	W (mm)	Pin1 Quadrant
BQ32000DR	SOIC	D	8	2500	330.0	12.4	6.4	5.2	2.1	8.0	12.0	Q1

TAPE AND REEL BOX DIMENSIONS



*All dimensions are nominal

Device	Package Type	Package Drawing	Pins	SPQ	Length (mm)	Width (mm)	Height (mm)
BQ32000DR	SOIC	D	8	2500	346.0	346.0	29.0

D (R-PDSO-G8)

PLASTIC SMALL OUTLINE



- NOTES:
- A. All linear dimensions are in inches (millimeters).
 - B. This drawing is subject to change without notice.
 - Body length does not include mold flash, protrusions, or gate burrs. Mold flash, protrusions, or gate burrs shall not exceed 0.006 (0,15) each side.
 - Body width does not include interlead flash. Interlead flash shall not exceed 0.017 (0,43) each side.
 - E. Reference JEDEC MS-012 variation AA.

D (R-PDSO-G8)

PLASTIC SMALL OUTLINE



- NOTES:
- All linear dimensions are in millimeters.
 - This drawing is subject to change without notice.
 - Publication IPC-7351 is recommended for alternate designs.
 - Laser cutting apertures with trapezoidal walls and also rounding corners will offer better paste release. Customers should contact their board assembly site for stencil design recommendations. Refer to IPC-7525 for other stencil recommendations.
 - Customers should contact their board fabrication site for solder mask tolerances between and around signal pads.

IMPORTANT NOTICE

Texas Instruments Incorporated and its subsidiaries (TI) reserve the right to make corrections, modifications, enhancements, improvements, and other changes to its products and services at any time and to discontinue any product or service without notice. Customers should obtain the latest relevant information before placing orders and should verify that such information is current and complete. All products are sold subject to TI's terms and conditions of sale supplied at the time of order acknowledgment.

TI warrants performance of its hardware products to the specifications applicable at the time of sale in accordance with TI's standard warranty. Testing and other quality control techniques are used to the extent TI deems necessary to support this warranty. Except where mandated by government requirements, testing of all parameters of each product is not necessarily performed.

TI assumes no liability for applications assistance or customer product design. Customers are responsible for their products and applications using TI components. To minimize the risks associated with customer products and applications, customers should provide adequate design and operating safeguards.

TI does not warrant or represent that any license, either express or implied, is granted under any TI patent right, copyright, mask work right, or other TI intellectual property right relating to any combination, machine, or process in which TI products or services are used. Information published by TI regarding third-party products or services does not constitute a license from TI to use such products or services or a warranty or endorsement thereof. Use of such information may require a license from a third party under the patents or other intellectual property of the third party, or a license from TI under the patents or other intellectual property of TI.

Reproduction of TI information in TI data books or data sheets is permissible only if reproduction is without alteration and is accompanied by all associated warranties, conditions, limitations, and notices. Reproduction of this information with alteration is an unfair and deceptive business practice. TI is not responsible or liable for such altered documentation. Information of third parties may be subject to additional restrictions.

Resale of TI products or services with statements different from or beyond the parameters stated by TI for that product or service voids all express and any implied warranties for the associated TI product or service and is an unfair and deceptive business practice. TI is not responsible or liable for any such statements.

TI products are not authorized for use in safety-critical applications (such as life support) where a failure of the TI product would reasonably be expected to cause severe personal injury or death, unless officers of the parties have executed an agreement specifically governing such use. Buyers represent that they have all necessary expertise in the safety and regulatory ramifications of their applications, and acknowledge and agree that they are solely responsible for all legal, regulatory and safety-related requirements concerning their products and any use of TI products in such safety-critical applications, notwithstanding any applications-related information or support that may be provided by TI. Further, Buyers must fully indemnify TI and its representatives against any damages arising out of the use of TI products in such safety-critical applications.

TI products are neither designed nor intended for use in military/aerospace applications or environments unless the TI products are specifically designated by TI as military-grade or "enhanced plastic." Only products designated by TI as military-grade meet military specifications. Buyers acknowledge and agree that any such use of TI products which TI has not designated as military-grade is solely at the Buyer's risk, and that they are solely responsible for compliance with all legal and regulatory requirements in connection with such use.

TI products are neither designed nor intended for use in automotive applications or environments unless the specific TI products are designated by TI as compliant with ISO/TS 16949 requirements. Buyers acknowledge and agree that, if they use any non-designated products in automotive applications, TI will not be responsible for any failure to meet such requirements.

Following are URLs where you can obtain information on other Texas Instruments products and application solutions:

Products

Audio	www.ti.com/audio
Amplifiers	amplifier.ti.com
Data Converters	dataconverter.ti.com
DLP® Products	www.dlp.com
DSP	dsp.ti.com
Clocks and Timers	www.ti.com/clocks
Interface	interface.ti.com
Logic	logic.ti.com
Power Mgmt	power.ti.com
Microcontrollers	microcontroller.ti.com
RFID	www.ti-rfid.com
RF/IF and ZigBee® Solutions	www.ti.com/lprf

Applications

Communications and Telecom	www.ti.com/communications
Computers and Peripherals	www.ti.com/computers
Consumer Electronics	www.ti.com/consumer-apps
Energy and Lighting	www.ti.com/energy
Industrial	www.ti.com/industrial
Medical	www.ti.com/medical
Security	www.ti.com/security
Space, Avionics and Defense	www.ti.com/space-avionics-defense
Transportation and Automotive	www.ti.com/automotive
Video and Imaging	www.ti.com/video
Wireless	www.ti.com/wireless-apps

TI E2E Community Home Page

e2e.ti.com

Mailing Address: Texas Instruments, Post Office Box 655303, Dallas, Texas 75265
Copyright © 2011, Texas Instruments Incorporated