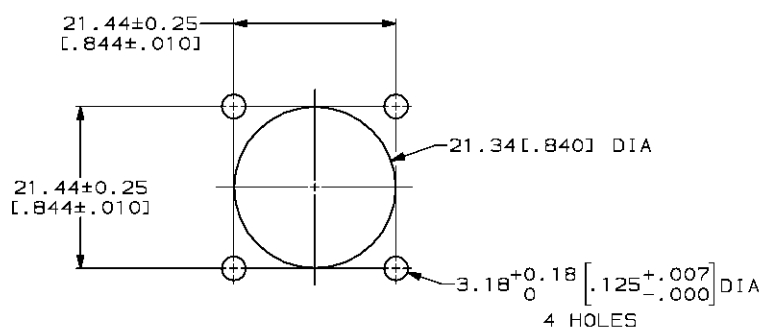
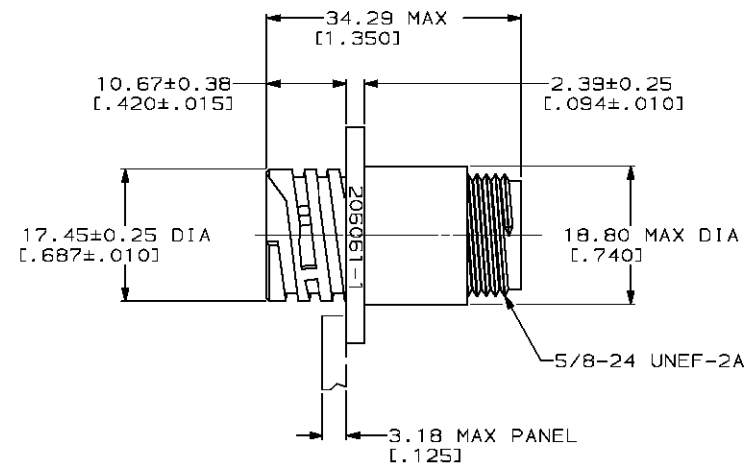
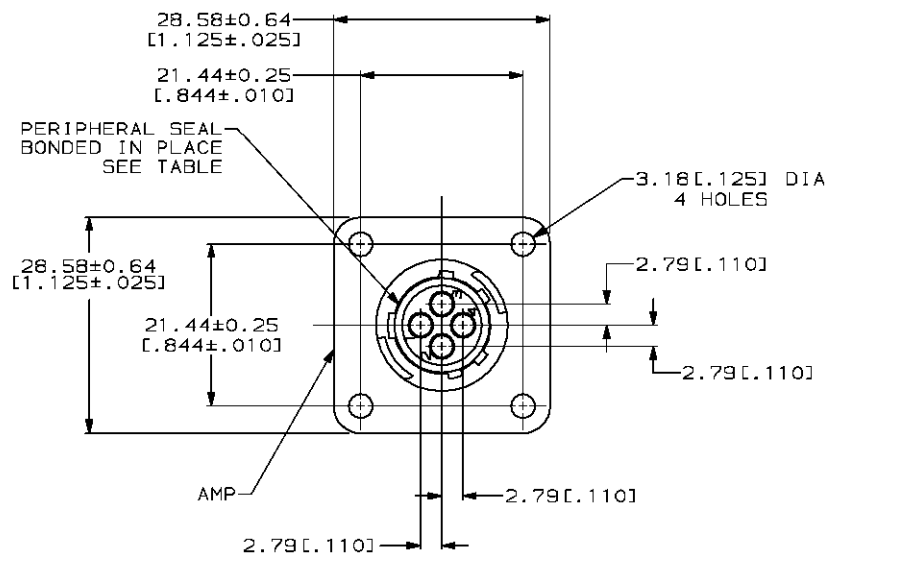


NO		LOC		DIST		P		F		REVISIONS		
ZONE	LTR	DESCRIPTION		DATE	APPD							
4	BD	35				D	REDRAWN ON CAD & ADDED -3 NPR 4832		07/07/93	-		
						E	REACTIVATE -2 PER EC 0020-1075-94		12/05/94	AF		



RECOMMENDED PANEL CUTOUT

1. CAVITY IDENTIFICATION ON FRONT AND REAR FACE.
2. WILL ACCEPT FOUR (4) MULTIMATE PIN CONTACTS.

SMALL PACK	NO	206061-3
STANDARD	YES	206061-2
STANDARD	NO	206061-1
PACKAGING	PERIPHERAL SEAL	PART NO

DO NOT SCALE PRINT. UNLESS SPECIFIED DIMENSIONS IN mm (INCHES) TOLERANCES ON: 2 PLC DEC ± 0.13 (.005) 3 PLC DEC ± - ANGLES ± -		DR 07/26/93 D.6ELTZ CHK 08/11/93 R.STONE APPD 08/13/93 A.FRANTUM		AMP Incorporated Harrisburg, PA 17105-3608	
MATERIAL NYLON, BLACK		APPD 08/13/93 A.FRANTUM PRODUCT SPEC 108-10024			
FINISH -		APPLICATION SPEC -		SIZE 00779	DRAWING NO 206061
WEIGHT -		SCALE 2:1		SHEET 1 OF 1	

THIS DRAWING IS A CONTROLLED DOCUMENT FOR AMP INCORPORATED. IT IS SUBJECT TO CHANGE AND THE CONTROLLING ENGINEERING ORGANIZATION SHOULD BE CONTACTED FOR THE LATEST REVISION.