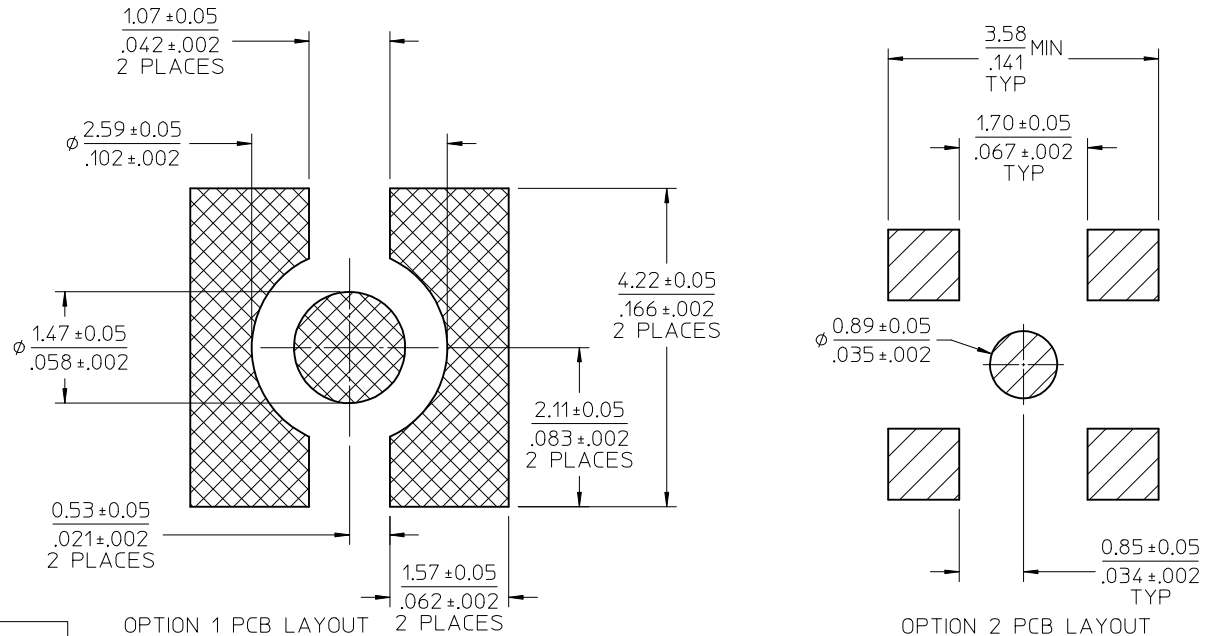
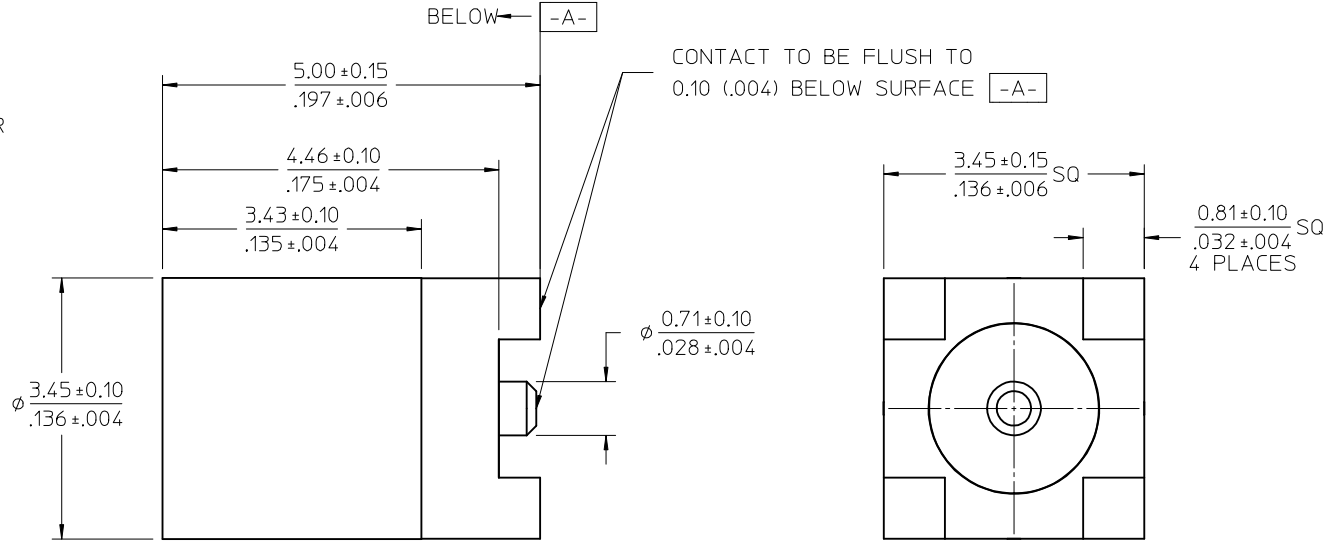
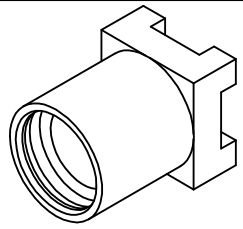


MATERIALS AND FINISHES

BODY BRASS
PLATED GOLD

CENTER CONTACT BERYLLIUM COPPER
PLATED GOLD

INSULATOR TEFLON



PS-89675-1920	ELECTRO/MECH PERFORM.
SPECIFICATION	DESCRIPTION

73415-2064	73415-2061. ONE PER BAG
73415-2063	73415-2061 WITH TAPE & REEL
73415-2062	73415-2060 WITH TAPE & REEL
73415-2061	PER COMMERCIAL REQUIREMENTS
73415-2060	PER MILITARY REQUIREMENTS
PART NO.	PLATING

OPTION 1 PCB LAYOUT

ADDED COPLANARITY DIMENSION PER RF14-E057	QUALITY SYMBOLS
EC NO: URF2014-0306	▽=0
DRW:INLIN 2013/11/14	▽=0
CHKD: JAPPR:HUANG 2014/02/13	▽=0
REV: A9	

GENERAL TOLERANCES (UNLESS SPECIFIED)

	mm	INCH
4 PLACES	± .005	± .0002
3 PLACES	± .004	± .00015
2 PLACES	± .003	± .0001
1 PLACE	± .002	± .00008
0 PLACE	± .001	± .00005

ANGULAR ± 2 °

DRAFT WHERE APPLICABLE MUST REMAIN WITHIN DIMENSIONS

DIMENSION STYLE MM/IN

DRAWN BY	DATE
TEF	2000/04/18
CHECKED BY	DATE
SSS	2000/04/18
APPROVED BY	DATE
GMH	2000/04/18

MATERIAL NO. SEE TABLE

SCALE DESIGN UNITS METRIC

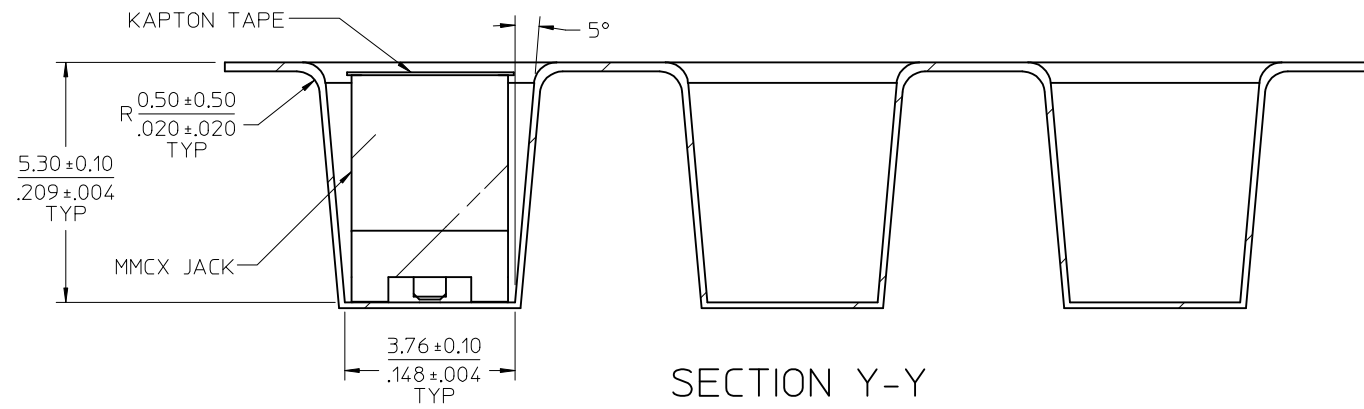
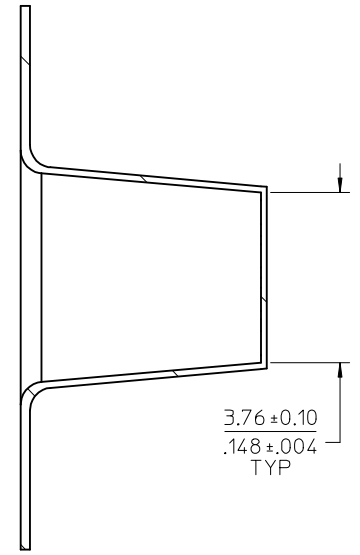
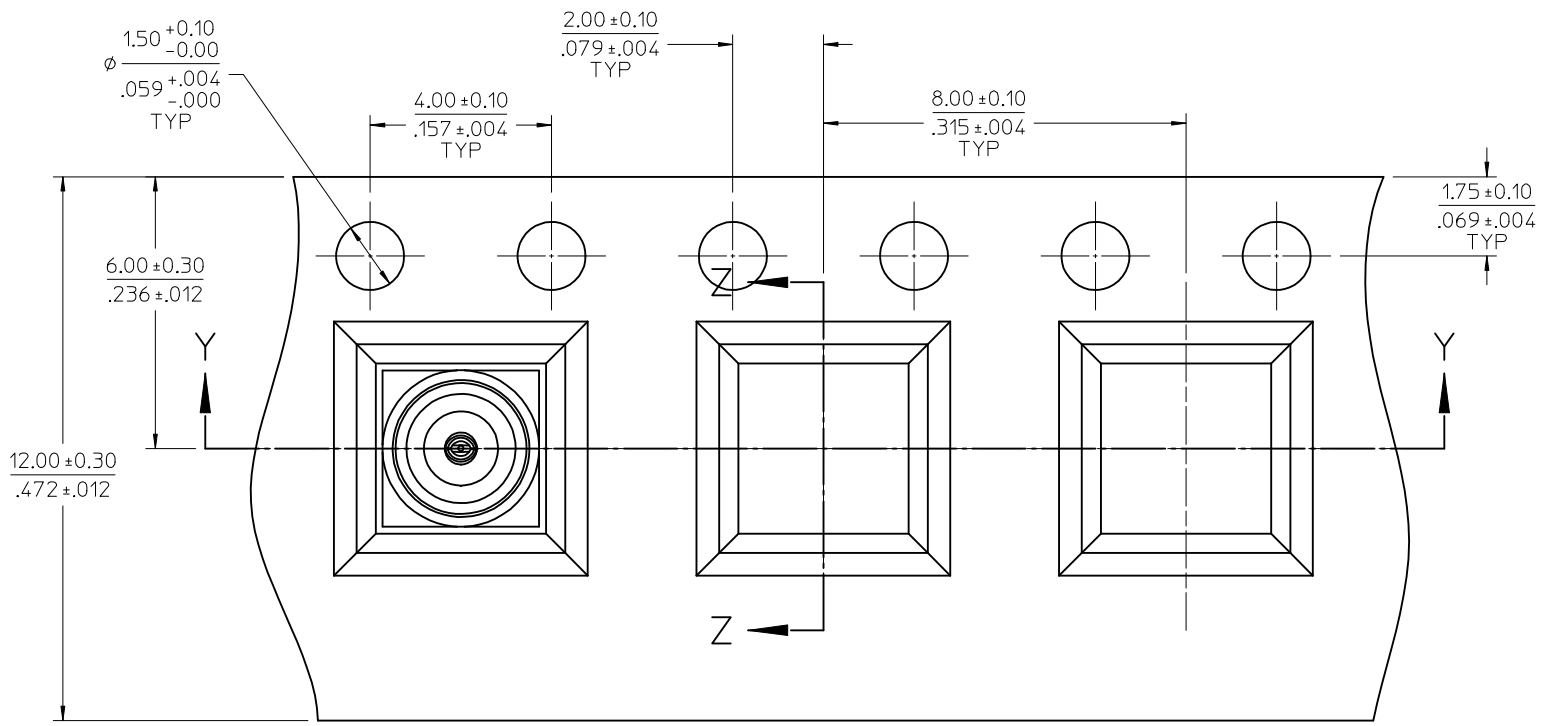
THIRD ANGLE PROJECTION

MMCX JACK, VERTICAL
PCB/SMT 50 OHMS
MMCX-J/PCB

molex

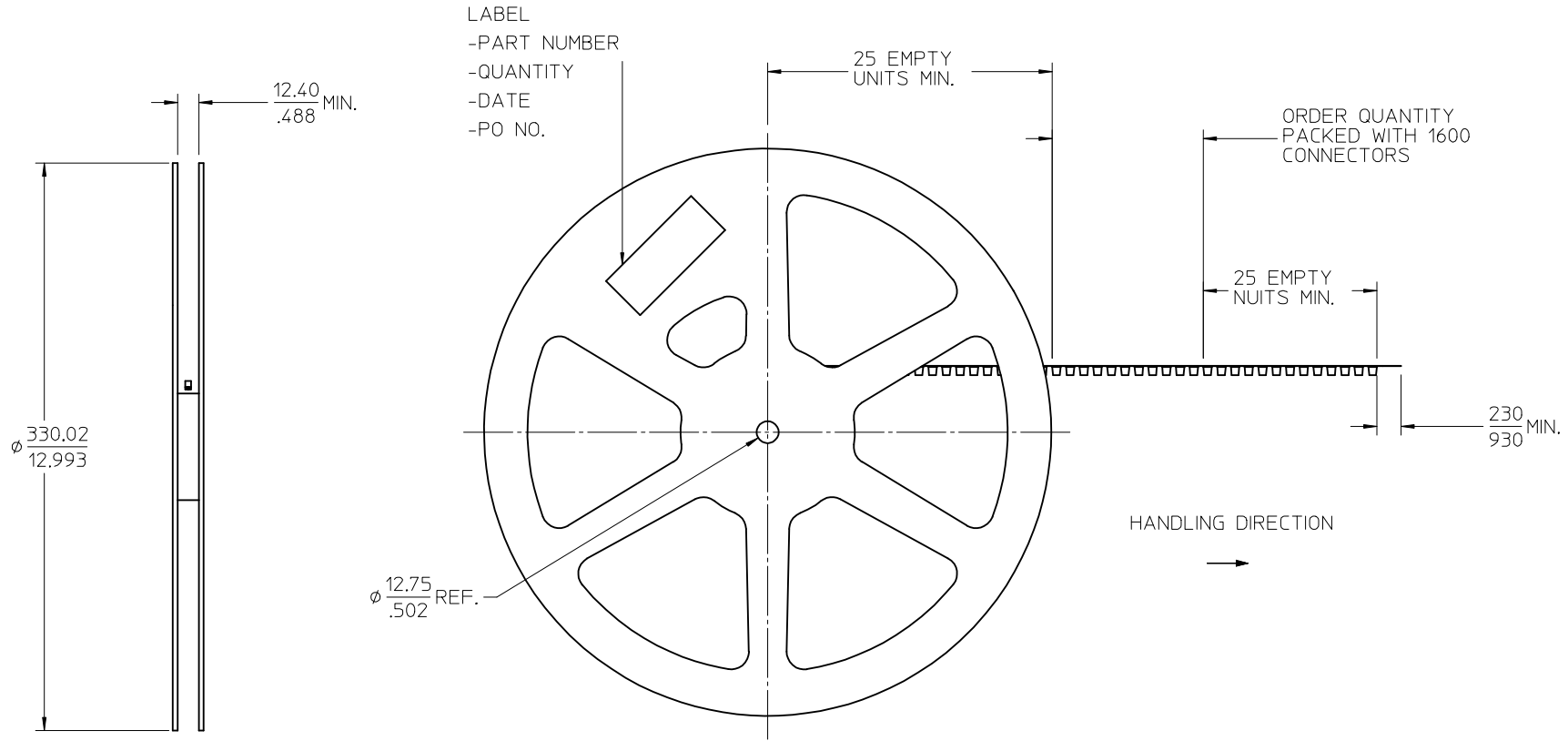
DOCUMENT NO. SD-73415-206

SHEET NO. 1 OF 4

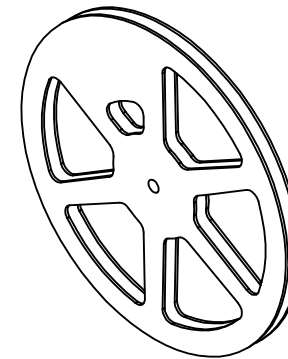
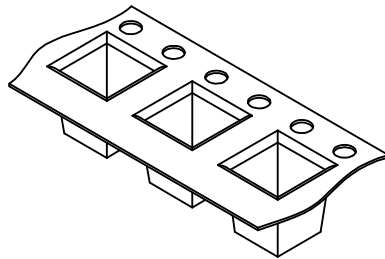
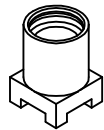


SEE SHEET 1 IEC NO: URF2014-0306 DRW: INELIN 2013/11/14 CHKD: APPR: HUANG 2014/02/13 REV:	QUALITY SYMBOLS	GENERAL TOLERANCES (UNLESS SPECIFIED)	DIMENSION STYLE	SCALE	DESIGN UNITS	THIRD ANGLE PROJECTION
	$\nabla = 0$ $\nabla = 0$ $\nabla = 0$	mm INCH	MM/IN	METRIC	<input checked="" type="checkbox"/> THIRD ANGLE PROJECTION	
		4 PLACES ± --- ± ---	DRAWN BY DATE	TITLE		
		3 PLACES ± --- ± ---	TEF 2000/04/18	MMCX JACK, VERTICAL		
		2 PLACES ± --- ± ---	CHECKED BY DATE	PCB/SMT 50 OHMS		
		1 PLACE ± --- ± ---	SSS 2000/04/18	MMCX-J/PCB		
		0 PLACE ± ±	APPROVED BY DATE	molex		
			GMH 2000/04/18	DOCUMENT NO.		
		ANGULAR ± 2 °	MATERIAL NO.	SD-73415-206		
		DRAFT WHERE APPLICABLE MUST REMAIN WITHIN DIMENSIONS	SEE SHEET 1	SHEET NO. 2 OF 4		
			SIZE C	THIS DRAWING CONTAINS INFORMATION THAT IS PROPRIETARY TO MOLEX INCORPORATED AND SHOULD NOT BE USED WITHOUT WRITTEN PERMISSION		

NOTE:
13" REEL SIZE FOR 1600 PIECES

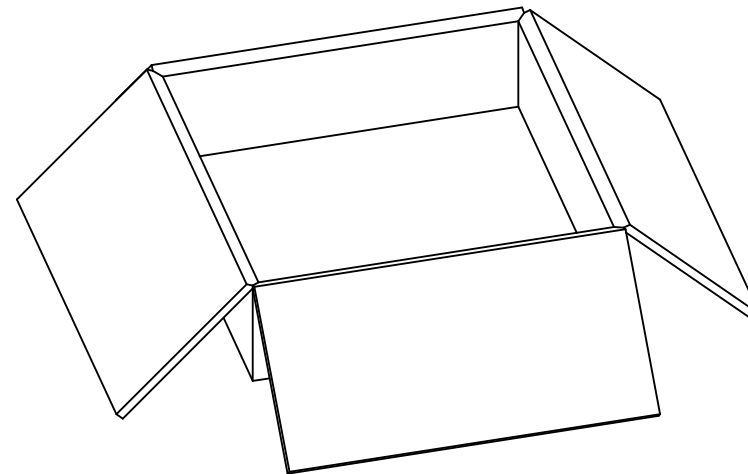


SEE SHEET 1 EC NO: URF2014-0306 DRAWN: LIN CHKD: APPR: MHIANG 2013/11/14 2014/02/13	QUALITY SYMBOLS	GENERAL TOLERANCES (UNLESS SPECIFIED)		DIMENSION STYLE	SCALE	DESIGN UNITS	THIRD ANGLE PROJECTION
	▽=0	mm	INCH	MM/IN		METRIC	
	▽=0	4 PLACES ±	±	DRAWN BY	DATE	TITLE	
	▽=0	3 PLACES ±	±	TEF	2000/04/18	MMCX JACK, VERTICAL PCB/SMT 50 OHMS MMCX-J/PCB	
	2 PLACES ±	±	CHECKED BY	DATE	molex		
	1 PLACE ±	±	SSS	2000/04/18			
	0 PLACE ±	±	APPROVED BY	DATE			
			GMH	2000/04/18			
			ANGULAR ± 2 °	MATERIAL NO.	DOCUMENT NO.		
			DRAFT WHERE APPLICABLE MUST REMAIN WITHIN DIMENSIONS	SEE SHEET 1	SD-73415-206		
				SIZE	THIS DRAWING CONTAINS INFORMATION THAT IS PROPRIETARY TO MOLEX INCORPORATED AND SHOULD NOT BE USED WITHOUT WRITTEN PERMISSION		



PART NO.
73415-2062/73415-2063

1600 SET PER 13" REEL



8000 CONNECTORS PER
OUTER CARTON BOX
339 X 339 X 100 REF.

SEE SHEET 1 EC NO: URF2014-0306 DRAWN: LIN 2013/11/14 CHKD: APPR: MHIANG 2014/02/13 A9	QUALITY SYMBOLS	GENERAL TOLERANCES (UNLESS SPECIFIED)	DIMENSION STYLE	SCALE	DESIGN UNITS	THIRD ANGLE PROJECTION
	▽=0	mm INCH	MM/IN	METRIC	◎	
	▽=0	4 PLACES ± --- ± ---	DRAWN BY DATE	TITLE		
	▽=0	3 PLACES ± --- ± ---	CHECKED BY DATE	MMCX JACK, VERTICAL PCB/SMT 50 OHMS MMCX-J/PCB		
		2 PLACES ± --- ± ---	APPROVED BY DATE			
		1 PLACE ± --- ± ---	GMH 2000/04/18			
		0 PLACE ± ±	MATERIAL NO.	DOCUMENT NO.		SHEET NO.
		ANGULAR ± 2 °	SEE SHEET 1	SD-73415-206		4 OF 4
		DRAFT WHERE APPLICABLE MUST REMAIN WITHIN DIMENSIONS	THIS DRAWING CONTAINS INFORMATION THAT IS PROPRIETARY TO MOLEX INCORPORATED AND SHOULD NOT BE USED WITHOUT WRITTEN PERMISSION			