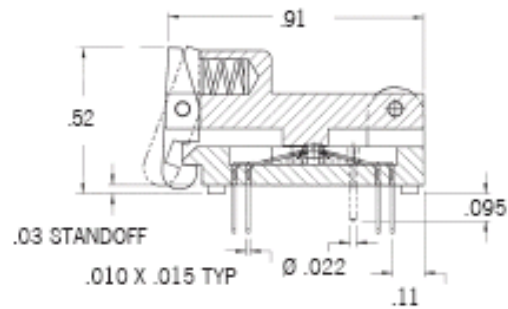
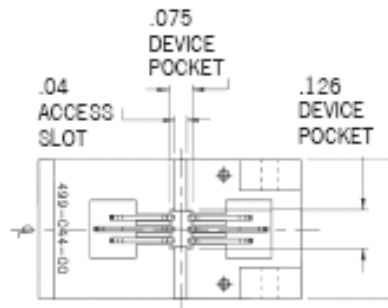


# BURN-IN

## 499 SERIES SURFACE MOUNT FAMILY OF SOT & TO DEVICE SOCKETS

- > Gold contact plating
- > High temperature materials
- > Low insertion force
- > Small outlines for greater board density

### 499-P44-20 6 Lead MO-178 Sockets



Pitch = .037"