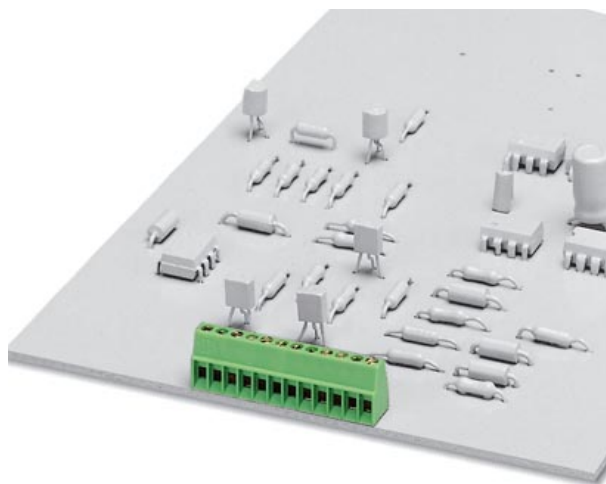


Please note that the data given here has been taken from the online catalog. Please refer to the user documentation for comprehensive information and data. The General Terms and Conditions of Use apply to Internet downloads.

► Extract from the online catalog



Printed circuit terminal block, nominal current: 6 A, rated voltage: 63 V, pitch: 2.54 mm, no. of positions: 3, mounting: Soldering, type of connection: Screw connection, connection direction from the conductor to the PCB: 0°

The illustration shows a 12-position version

Order No.	1725669
Ord designation	MPT 0,5/ 3-2,54

EAN	4017918116262
Pack	50 Pcs.
Customs tariff	85369010
Catalog page information	Page 20 (CC-2005)

► Technical data

Dimensions / positions

Pitch	2.54 mm
Dimension a	5.08 mm
Number of positions	3
Pin dimensions	0,5 x 0,9 mm
Hole diameter	1.1 mm
Screw thread	M 1,6
Tightening torque, min	0.12 Nm

Technical data

Insulating material group	I
Rated surge voltage (III/3)	1.5 kV
Rated surge voltage (III/2)	1.5 kV
Rated surge voltage (II/2)	2.5 kV
Rated voltage (III/2)	160 V
Rated voltage (II/2)	320 V
Connection in acc. with standard	EN-VDE
Nominal current I_N	6 A
Nominal voltage U_N	63 V
Nominal cross section	0.5 mm ²
Maximum load current	6 A
Insulating material	PA
Inflammability class acc. to UL 94	V0
Stripping length	4.5 mm

Connection data

Min. conductor cross section, rigid	0.14 mm ²
Conductor cross section, rigid max.	0.5 mm ²
Conductor cross section flexible min.	0.14 mm ²
Max. conductor cross section, flexible	0.5 mm ²
Min. conductor cross section, flexible, with ferrule with plastic sleeve	0.25 mm ²
Conductor cross section flexible, with ferrule without plastic sleeve max.	0.34 mm ²
Conductor cross section flexible, with ferrule with plastic sleeve min.	0.25 mm ²
Max. conductor cross section, flexible, with ferrule with plastic sleeve	0.34 mm ²
Min. conductor cross section AWG/kcmil	26
Conductor cross section AWG/kcmil max	20
2 conductors with same cross section, solid min.	0.14 mm ²
2 conductors with same cross section, solid max.	0.34 mm ²
2 conductors of the same cross section, flexible, min.	0.14 mm ²
2 conductors with same cross section, flexible max.	0.34 mm ²

► Certificates

Certificate logos



UL

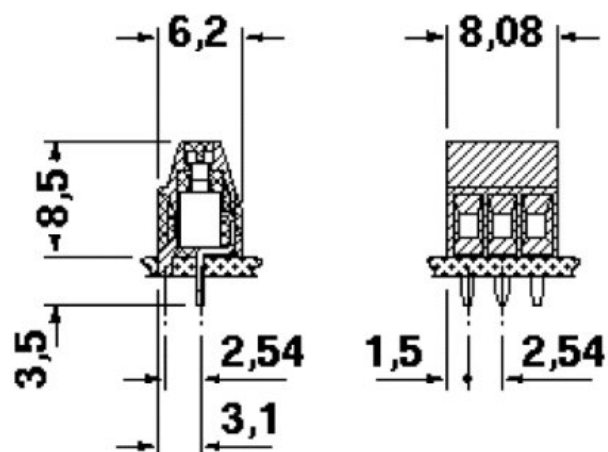
Nominal voltage U_N	125 V
Nominal current I_N	6 A
AWG/kcmil	30-20

CSA

Nominal voltage U_N	125 V
Nominal current I_N	6 A
AWG/kcmil	28-20

► Drawings

Dimensioned drawing



► Accessories

Item	Designation	Description
Marking		
0804853	SK 2,54/2,8:FORTL.ZAHLEN	Marker card, printed horizontally, self-adhesive, 10-section marker strip, 12 identical decades marked 1-10, 11-20 etc. up to 91-100, sufficient for 120 terminal blocks

Tools

1205202	SZS 0,4X2,0	Screwdriver, bladed, matches all screw terminal blocks up to 1.5 mm ² connection cross section, blade width: 2.5 mm, without approvals
---------	-------------	---

► Address

Phoenix Contact GmbH & Co. KG
Flachsmarktstr. 8
32825 Blomberg
Germany
Phone +49 5235 3 00
Fax +49 5235 3 1200
<http://www.phoenixcontact.com>

Phoenix Contact
Technical modifications reserved;