

# bq24392 Dual SPST USB 2.0 High Speed Switch with USB Battery Charging Specification Revision 1.2 Detection

## 1 Features

- USB 2.0 High Speed Switch
- Detects USB Battery Charging Specification Version 1.2 (BCv1.2) Compliant Chargers
- Compatible Accessories
  - Dedicated Charging Port
  - Standard Downstream Port
  - Charging Downstream Port
- Non-Standard Chargers
  - Apple™ Charger
  - TomTom™ Charger
  - USB Chargers Not Compliant With Battery Charging Specification Version 1.2 (BCv1.2)
- –2 V to 28 V VBUS Voltage Range
- ESD Performance Tested per JESD 22
  - 4000-V Human-Body Model
  - 1500-V Charged-Device Model (C101)
- ESD Performance DP\_CON/DM\_CON to GND
  - ±8-kV Contact Discharge (IEC 61000-4-2)

## 2 Applications

- Mobile Phones
- Smart Phones
- Cameras
- GPS Systems

## 3 Description

The BQ24932 is a dual single-pole single-throw (SPST) USB 2.0 high-speed isolation switch with charger detection capabilities for use with micro and mini-USB ports. This USB switch allows mobile phones, tablets, and other battery operated electronics to be charged from different adapters with minimal system software. The device's charger detection circuitry can support USB Battery Charging Specification version 1.2 (BCv1.2) compliant, Apple™, TomTom™, and other non-standard chargers.

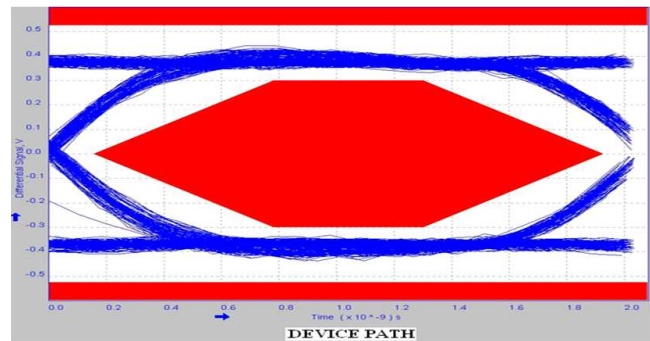
The BQ24932 device is powered through VBUS when a charger is attached to the micro or mini-USB port and has a 28-V tolerance to avoid the need for external protection.

### Device Information<sup>(1)</sup>

PART NUMBER	PACKAGE	BODY SIZE (NOM)
BQ24392	UQFN (10)	2.05 mm x 1.55 mm

(1) For all available packages, see the orderable addendum at the end of the datasheet.

### 480-Mbps USB 2.0 Eye Diagram With USB Switch



## Table of Contents

<b>1 Features</b> .....	<b>1</b>	7.3 Feature Description .....	<b>7</b>
<b>2 Applications</b> .....	<b>1</b>	7.4 Device Functional Modes .....	<b>8</b>
<b>3 Description</b> .....	<b>1</b>	<b>8 Application and Implementation</b> .....	<b>9</b>
<b>4 Revision History</b> .....	<b>2</b>	8.1 Application Information .....	<b>9</b>
<b>5 Pin Configuration and Functions</b> .....	<b>3</b>	8.2 Typical Application .....	<b>10</b>
<b>6 Specifications</b> .....	<b>4</b>	<b>9 Power Supply Recommendations</b> .....	<b>11</b>
6.1 Absolute Maximum Ratings .....	<b>4</b>	<b>10 Layout</b> .....	<b>12</b>
6.2 Handling Ratings .....	<b>4</b>	10.1 Layout Guidelines .....	<b>12</b>
6.3 Recommended Operating Conditions .....	<b>4</b>	10.2 Layout Example .....	<b>13</b>
6.4 Thermal Information .....	<b>4</b>	<b>11 Device and Documentation Support</b> .....	<b>14</b>
6.5 Electrical Characteristics .....	<b>5</b>	11.1 Trademarks .....	<b>14</b>
6.6 Typical Characteristics .....	<b>5</b>	11.2 Electrostatic Discharge Caution .....	<b>14</b>
<b>7 Detailed Description</b> .....	<b>6</b>	11.3 Glossary .....	<b>14</b>
7.1 Overview .....	<b>6</b>	<b>12 Mechanical, Packaging, and Orderable Information</b> .....	<b>15</b>
7.2 Functional Block Diagram .....	<b>6</b>		

## 4 Revision History

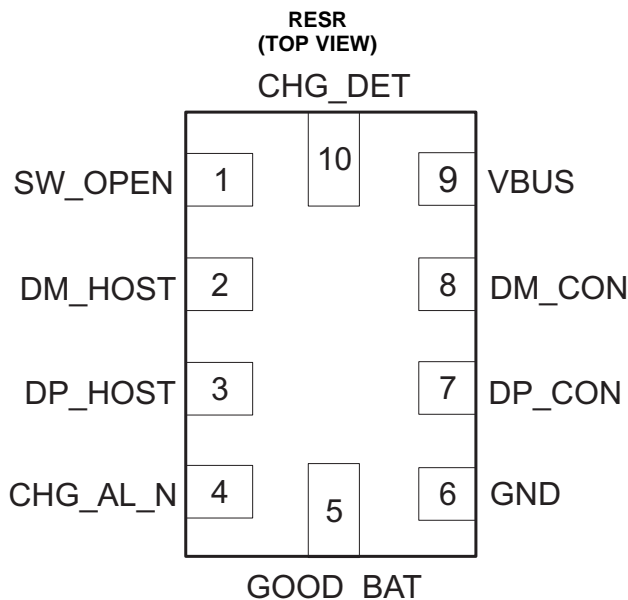
### Changes from Revision B (October 2014) to Revision C Page

• Updated Features. ....	<b>1</b>
--------------------------	----------

### Changes from Revision A (June 2012) to Revision B Page

• Added Handling Rating table, Feature Description section, Device Functional Modes, Application and Implementation section, Power Supply Recommendations section, Layout section, Device and Documentation Support section, and Mechanical, Packaging, and Orderable Information section. ....	<b>1</b>
---	----------

## 5 Pin Configuration and Functions



### Pin Functions

PIN		I/O	DESCRIPTION
NO.	NAME		
1	SW_OPEN	O	USB switch status indicator Open-drain output. 10kΩ external pull-up resistor required. SW_OPEN = LOW indicates when switch is connected SW_OPEN = HIGH-Z indicates when then switch is not connected
2	DM_HOST	I/O	D- signal to transceiver
3	DP_HOST	I/O	D+ signal to transceiver
4	CHG_AL_N	O	Charging status indicator Open-drain output. 10kΩ external pull-up resistor required CHG_AL_N = LOW indicates when charging is allowed CHG_AL_N = HIGH-Z indicates when charging is not allowed
5	GOOD_BAT	I	Battery status indication from system GOOD_BAT = LOW indicates a dead battery GOOD_BAT = HIGH indicates a good battery
6	GND	-	Ground
7	DP_CON	I/O	D+ signal from USB connector
8	DM_CON	I/O	D- signal from USB connector
9	VBUS	I	Supply pin from USB connector
10	CHG_DET	O	Charger detection indicator Push-Pull output to system CHG_DET = LOW indicates when a charger is not detected CHG_DET = HIGH indicates when a charger detected

## 6 Specifications

### 6.1 Absolute Maximum Ratings

over –40°C to 85°C temperature range (unless otherwise noted)

		MIN	MAX	UNIT
Input Voltage	VBUS	–2	28	V
	CHG_AL_N	–2	28	V
	DM_HOST	–0.3	7	V
	DP_HOST	–0.3	7	
	GOOD_BAT	–0.3	7	
	DP_CON	–0.3	7	
	DM_CON	–0.3	7	
	CHG_DET	–0.3	7	

### 6.2 Handling Ratings

			MIN	MAX	UNIT
T <sub>stg</sub>	Storage temperature range		65	150	°C
V <sub>(ESD)</sub>	Electrostatic discharge	Human body model (HBM), per ANSI/ESDA/JEDEC JS-001, all pins <sup>(1)</sup>		4000	V
		Charged device model (CDM), per JEDEC specification JESD22-C101, all pins <sup>(2)</sup>		1500	
		IEC Contact discharge pins DP_CON and DM_CON to GND	–8000	8000	

(1) JEDEC document JEP155 states that 500-V HBM allows safe manufacturing with a standard ESD control process.

(2) JEDEC document JEP157 states that 250-V CDM allows safe manufacturing with a standard ESD control process.

### 6.3 Recommended Operating Conditions

		MIN	MAX	UNIT
VBUS		4.75	5.25	V
GOOD_BAT		0	VBUS	
DM_HOST		0	3.6	
DP_HOST		0	3.6	
DM_CON		0	3.6	
DP_CON		0	3.6	

### 6.4 Thermal Information

THERMAL METRIC <sup>(1)</sup>		bq24392	UNIT
		RSE	
		10 PINS	
R <sub>θJA</sub>	Junction-to-ambient thermal resistance	167.7	°C/W
R <sub>θJC(top)</sub>	Junction-to-case (top) thermal resistance	78.8	
R <sub>θJB</sub>	Junction-to-board thermal resistance	95.8	
Ψ <sub>JT</sub>	Junction-to-top characterization parameter	4.7	
Ψ <sub>JB</sub>	Junction-to-board characterization parameter	95.9	

 (1) For more information about traditional and new thermal metrics, see the *IC Package Thermal Metrics* application report, [SPRA953](#).

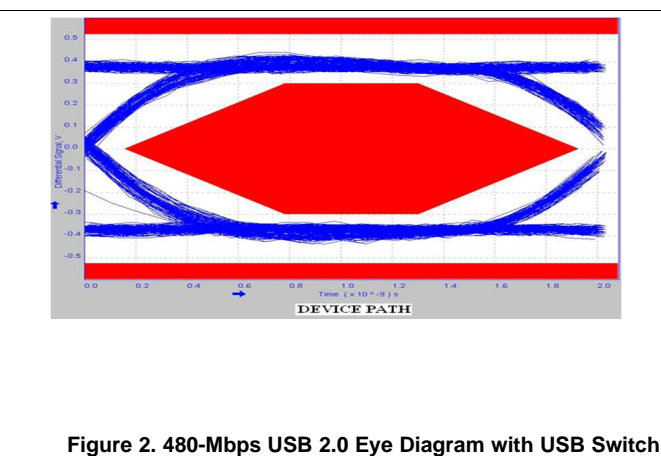
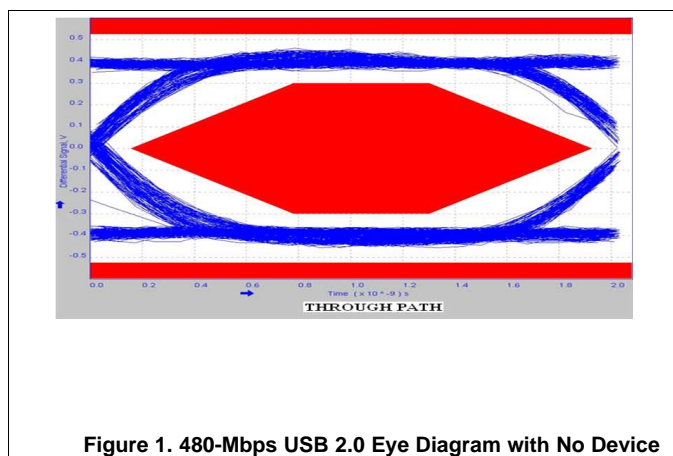
### 6.5 Electrical Characteristics

V<sub>BUS</sub> = 4.5 V to 5.5 V, T<sub>A</sub> = -40°C to 85°C (unless otherwise noted)<sup>(1)</sup>

PARAMETER		TEST CONDITIONS		MIN	TYP	MAX	UNIT
V <sub>VBUS_VALID</sub>	VBUS Valid threshold	Rising VBUS threshold			3.5		V
V <sub>OH</sub>	CHG_DET	CHG_DET	I <sub>OH</sub> = -2 mA	3.5		VBUS	V
V <sub>OL</sub>	CHG_DET, SW_OPEN, CHG_AL_N	CHG_DET, SW_OPEN, CHG_AL_N	I <sub>OL</sub> = 2 mA			0.4	V
V <sub>IH</sub>	High-level input voltage	GOOD_BAT		1.1			V
V <sub>IL</sub>	Low-level input voltage					0.5	V
R <sub>PD</sub>	Internal pull-down resistance					950	kΩ
t <sub>DBP</sub>	Dead battery provision timer				32	45	Mins
V <sub>USBIO</sub>	ON- state resistance match between	DM_CON, DP_CON, DM_HOST, DP_HOST	V <sub>DM_HOST</sub> and V <sub>DP_HOST</sub> = 0 to 3.6 V, I <sub>DP_CON</sub> and I <sub>DM_CON</sub> = -2 mA	0		3.6	V
R <sub>ON</sub>	ON-state resistance					8	Ω
R <sub>ON(flat)</sub>	ON-state resistance flatness					1.1	Ω
ΔR <sub>ON</sub>	ON- state resistance match between channels					0.5	Ω
I <sub>CC-SW (ON)</sub>	Current consumption	V <sub>VBUS</sub> = 5V, V <sub>IH(GOOD_BAT)</sub> = 1.1 V			250		μA
		V <sub>VBUS</sub> = 5 V, V <sub>IH(GOOD_BAT)</sub> = 2.5 V			80		μA
I <sub>CC-SW (OFF)</sub>	Current consumption with USB switch off	V <sub>VBUS</sub> = 5 V; USB Switch OFF			45		μA
I <sub>USBI/O (ON)</sub>	Leakage current with USB switch on	V <sub>DM_HOST</sub> and V <sub>DP_HOST</sub> = 0 to 3.6 V, I <sub>DP_CON</sub> and I <sub>DM_CON</sub> = -2 mA			50		nA
I <sub>USBI/O (OFF)</sub>	Leakage current with USB switch off				45		nA
C <sub>I(OFF)</sub>	Capacitance with USB switch off	DP_HOST, DM_HOST	DC bias = 0 V or 3.6 V, f = 10 MHz		2		pF
C <sub>O(OFF)</sub>	Capacitance with USB switch off	DP_CON, DM_CON			10	pF	
C <sub>I(ON)</sub>	Capacitance with USB switch on	DP_HOST, DM_HOST			11	pF	
C <sub>O(ON)</sub>	Capacitance with USB switch on	DP_CON, DM_CON			11	pF	
BW	Bandwidth	R <sub>L</sub> = 50 Ω, Switch ON			920		MHz
O <sub>ISO</sub>	Isolation with USB switch off	f = 240 MHz, R <sub>L</sub> = 50 Ω, Switch OFF			-26		dB
X <sub>TALK</sub>	Crosstalk	f = 240 MHz, R <sub>L</sub> = 50 Ω			-30.5		dB

(1) CHG\_DET max value will be clamped at 7 V when V<sub>VBUS</sub> > 7 V

### 6.6 Typical Characteristics



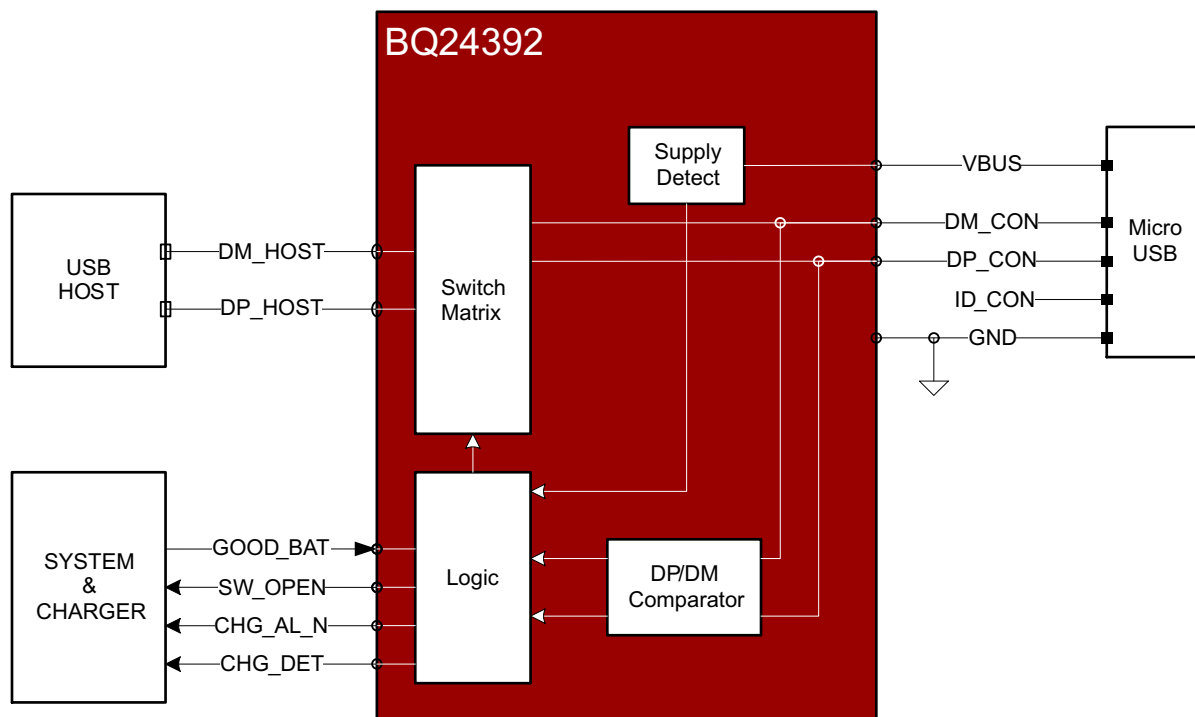
## 7 Detailed Description

### 7.1 Overview

The BQ24932 is a USB 2.0 high-speed isolation switch with charger detection capabilities for use with micro and mini-USB ports. Upon plugin of a Battery Charging Specification 1.2 (BCv1.2) compliant, Apple™, TomTom™, or other USB charger into a micro or mini-USB connector, the device will automatically detect the charger and operate the USB 2.0 high-speed isolation switch.

The BQ24932 device is powered through VBUS when a charger is attached to the micro or mini-USB port and has a 28-V tolerance to avoid the need for external protection.

### 7.2 Functional Block Diagram



### 7.3 Feature Description

#### 7.3.1 Charger Detection

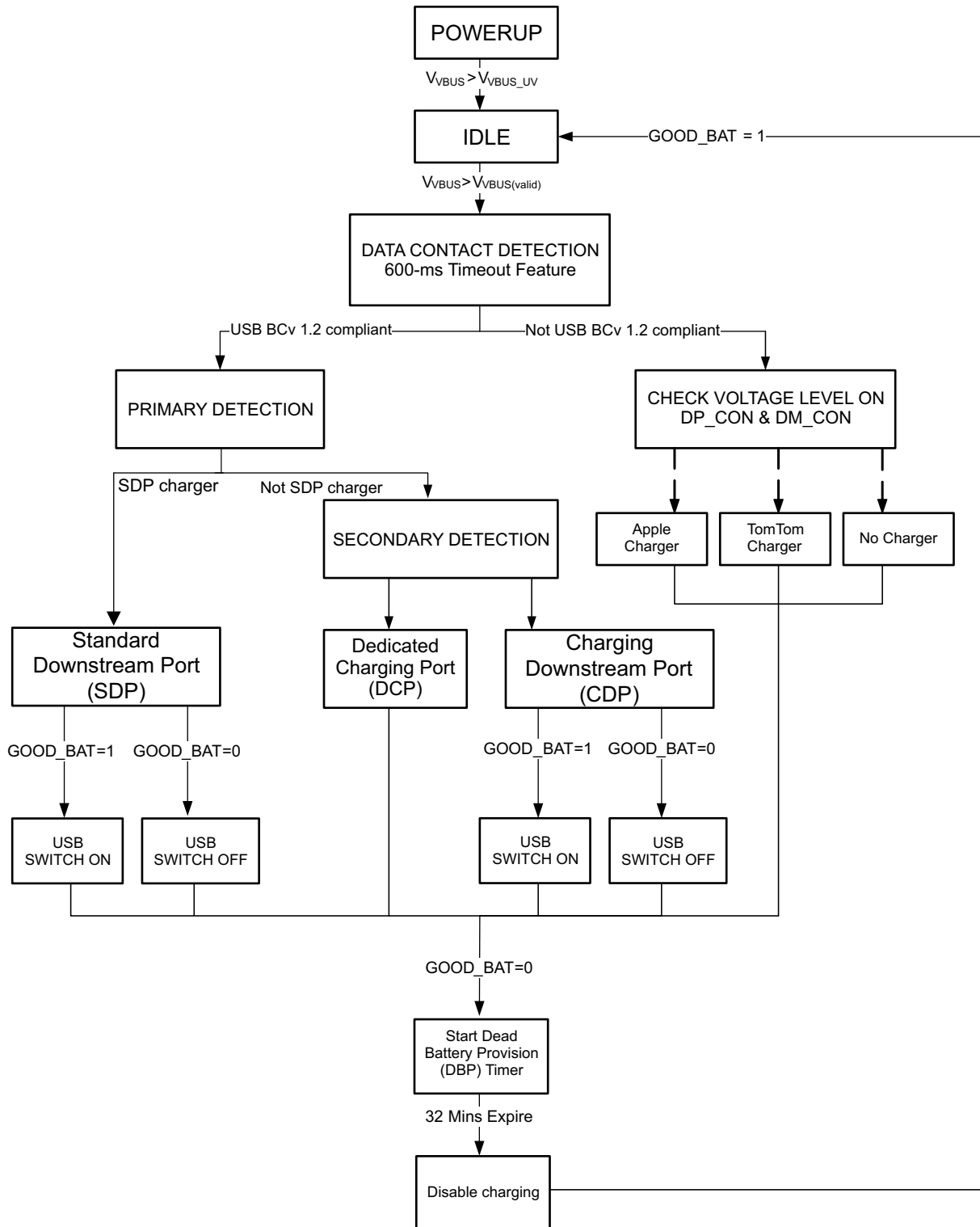


Figure 3. Charge Detection Block Diagram

## Feature Description (continued)

When a micro or mini-USB accessory is inserted into the connector and once VBUS is greater than  $V_{VBUS\_VALID}$  threshold, the BQ24392 will enter into the Data Contact Detection (DCD) state which includes a 600-ms timeout feature that is prescribed in the USB Battery Charging Specification version 1.2 (BCv1.2). If the micro or mini-USB accessory is determined to be USB BCv1.2 compliant, a 130-ms debounce period will initiate and the BQ24392 will proceed to its primary detection and then secondary detection states to determine if a Dedicated Charging Port (DCP), Standard Downstream Port (SDP), or Charging Downstream Port (CDP) is attached to the USB-port. The minimum detection time for a DCP, SDP, and CDP is 130 ms, but can be as long as 600 ms due to the slow plug in effect.

If the GOOD\_BAT pin is high, the USB 2.0 switches are automatically closed to enable data transfer after the device detects a Standard Downstream Port (SDP) or Charging Downstream Port (CDP) was connected.

If Data Contact Detection (DCD) fails, the BQ24392 proceeds to detect whether an Apple or TomTom charger was inserted by checking the voltage level on DP\_CON and DM\_CON. Thus, for Apple and TomTom chargers, detection time typically takes ~600 ms.

The 3 output pins CHG\_AL\_N, CHG\_DET, and SW\_OPEN change their status at the end of detection. [Table 1](#) is the detection table with the GPIO status for each type of supported charger. More information on how to use the GPIOs is available in [Using the BQ24932 GPIOs](#).

**Table 1. Detection Table**

Device Type	VBUS	DP_CON (D+)	DM_CON (D-)	GOOD_BAT (Input)	CHG_AL_N (Output)	CHG_DET (Output)	SW_OPEN (Output)	Switch Status	Charge Current
Standard Downstream Port	> 3.5 V	Pull-down R to GND	Pull-down R to GND	HIGH	LOW	LOW	LOW	Connected	Charge with 100 mA/ Change the input current based on enumeration
				LOW	LOW	LOW	High-Z	Not Connected	Charge with 100 mA
Charging Downstream Port	> 3.5 V	Pull-down R to GND	$V_{DM\_SRC}$	HIGH	LOW	HIGH	LOW	Connected	Charge with full current
				LOW	LOW	HIGH	High-Z	Not Connected	Charge with 100 mA
Dedicated Charging Port	> 3.5 V	Short to D-	Short to D+	X	LOW	HIGH	High-Z	Not Connected	Charge with full current
Apple Charger	> 3.5 V	$2.0 < V_{DP\_CON} < 2.8$	$2.0 < V_{DM\_CON} < 2.8$	X	LOW	HIGH	High-Z	Not Connected	Charge with full current
TomTom Charger	> 3.5 V	$2.0 < V_{DP\_CON} < 3.1$	$2.0 < V_{DM\_CON} < 3.1$	X	LOW	HIGH	High-Z	Not Connected	Charge with full current
PS/2 Charger	> 3.5 V	Pull-up R to $V_{VBUS}$	Pull-up R to $V_{VBUS}$	X	LOW	LOW	High-Z	Not Connected	Charge with 100 mA
Non-compliant USB Charger	> 3.5 V	Open	Open	X	LOW	LOW	High-Z	Not Connected	Charge with 100 mA
Any Device	< 3.5 V	Open	Open	X	High-Z	LOW	High-Z	Not Connected	No Charge
Any Device DBP Timer Expired	> 3.5 V	X	X	LOW	High-Z	LOW	High-Z	Not Connected	No Charge

If a charge has been detected and the GOOD\_BAT pin is low, a Dead Battery Provision (DBP) timer is initiated. If the GOOD\_BAT continues to be low for 30 minutes (maximum of 45 minutes), charging is disabled and CHG\_AL\_N goes into the High-Z state to indicate this. Toggling GOOD\_BAT high after the DBP timer expires re-starts detection and the DBP timer.

## 7.4 Device Functional Modes

The BQ24392 has two functional modes USB switch ON and USB switch OFF.



## 8 Application and Implementation

### NOTE

Information in the following applications sections is not part of the TI component specification, and TI does not warrant its accuracy or completeness. TI's customers are responsible for determining suitability of components for their purposes. Customers should validate and test their design implementation to confirm system functionality.

### 8.1 Application Information

#### 8.1.1 Using the BQ24932 GPIOs

##### 8.1.1.1 CHG\_AL and CHG\_DET

The BQ24392 has 2 charger indicators, CHG\_AL\_N and CHG\_DET, that the host can use to determine whether it can charge and if it can charge at a low or high current. [Table 2](#) demonstrates how these outputs should be interpreted. CHG\_AL\_N is an open drain output and is active when the output of the pin is low. CHG\_DET is a push-pull output and is high in the active state.

**Table 2. bq24392 Outputs**

CHG_AL_N	CHG_DET	
High-Z	X	Charging is not allowed
Low	Low	Low-current charging is allowed
Low	High	High-current charging is allowed

The system must define what is meant by low-current and high-current charging. If CHG\_DET is high, a system could try to draw 2 A, 1.5 A, or 1.0 A. If the system is trying to support > 1.5-A chargers, then the system has to use a charger IC that is capable of monitoring the VBUS voltage as it tries to pull the higher current values. If the voltage on VBUS starts to drop because that high of a current is supported then the system has to reduce the amount of current it is trying to draw until it finds a stable state with VBUS not dropping.

##### 8.1.1.2 SW\_OPEN

SW\_OPEN is an open drain output that indicates whether the USB switches are opened or closed. In the High-Z state the switches are open and in the active, or low state, the switches are closed. The host should monitor this pin to know when the switches are closed or open.

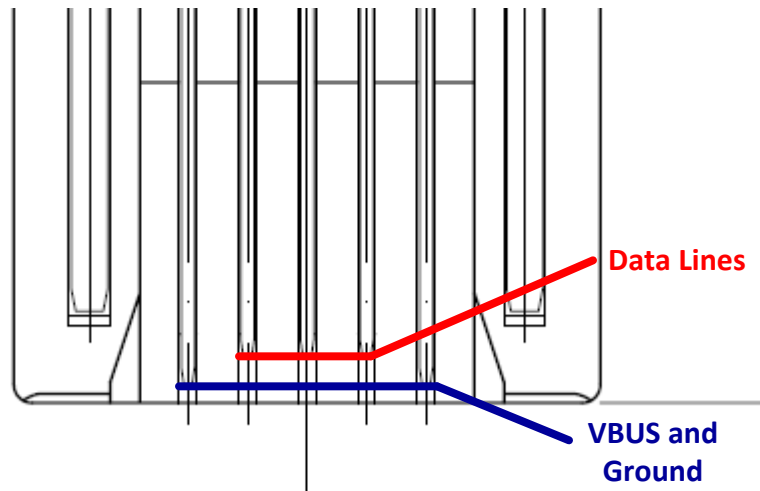
##### 8.1.1.3 GOOD\_BAT

GOOD\_BAT is used by the host controller to indicate the status of the battery to the BQ24392. This pin affects the switch status for a SDP or CDP, and it also affects the Dead Battery Provision (DBP) timer as discussed in the [Charger Detection](#) section.

##### 8.1.1.4 Slow Plug-in Event

As you insert a charger into the USB receptacle, the pins are configured so that the VBUS and GND pins make contact first. This presents a problem as the BQ24392 (or any other charger detection IC) requires access to the D+ and D– lines to run detection. This is why the BQ24392 has a standard 130-ms debounce time after VBUS valid to run the detection algorithm. This delay helps minimize the effects of the D+ and D– lines making contact after VBUS and GND.

[Figure 4](#) is from the datasheet of a standard male micro-USB connector and shows how the data connections (red line) are slightly recessed from the power connections (blue line).

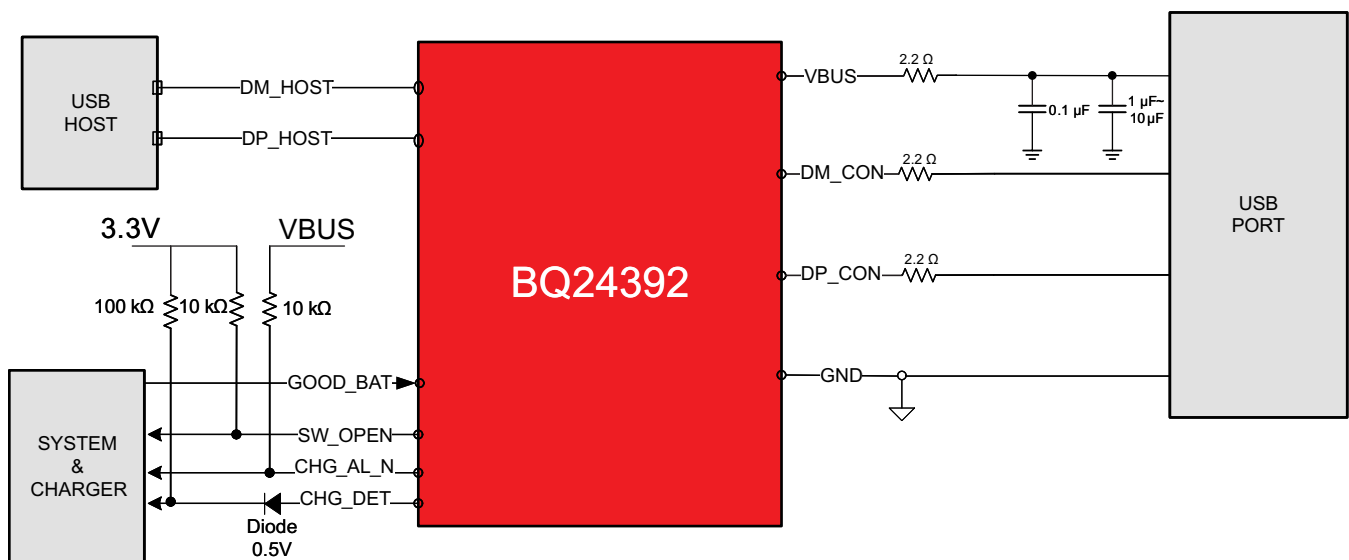


**Figure 4. Data Connections Recessed from Power Connections**

However, in some cases the charger is inserted very slowly, causing the VBUS and GND to make contact long before D+ and D-. Due to this effect, there is no guaranteed detection time as the detection time can vary based on how long it takes to insert the charger. If longer than 600 ms is taken to insert the charger into the USB receptacle, the detection algorithm of the BQ24392 will timeout and instead of the charger being detected as a DCP, it is now detected as a nonstandard charger (D+ and D- floating).

## 8.2 Typical Application

The BQ24392 device is used between the micro or mini-USB connector port and USB host to enable and disable the USB data path and detect chargers that are inserted into the micro or mini-USB connector.



**Figure 5. Application Schematic**

## Typical Application (continued)

### 8.2.1 Design Requirements

VBUS requires 1µF - 10µF and 0.1-µF bypass capacitors to reduce noise from circuit elements by providing a low impedance path to ground for the unwanted high frequency content. The 0.1-µF capacitor filters out higher frequencies and has a lower series inductance while the 1µF ~1 0µF capacitor filters out the lower frequencies and has a much higher series inductance. Using both capacitors will provide better load regulation across the frequency spectrum.

SW\_OPEN and CHG\_AL\_N are open-drain outputs that require a 10-kΩ pull-up resistor to VDDIO.

VBUS, DM\_CON, and DP\_CON are recommended to have an external resistor of 2.2-Ω to provide extra ballasting to protect the chip and internal circuitry.

DM\_CON and DP\_CON are recommended to have a 1-pF external ESD protection diode rated for 8-kV IEC protection to prevent failure in case of an 8-kV IEC contact discharge.

VBUS is recommended to have a 1-pF ~ 10-pF external ESD Protection Diode rated for 8-kV IEC protection to prevent failure in case of an 8-kV IEC contact discharge

CHG\_DET is a push-pull output pin. An external pull-up and diode are shown to depict a typical 3.3-V system. The pull-up resistor and diode are optional. The pull-up range on the CHG\_DET pin is from 3.5 V to V<sub>VBUS</sub>. When V<sub>VBUS</sub> > 7 V, CHG\_DET will be clamped to 7 V.

### 8.2.2 Detailed Design Procedure

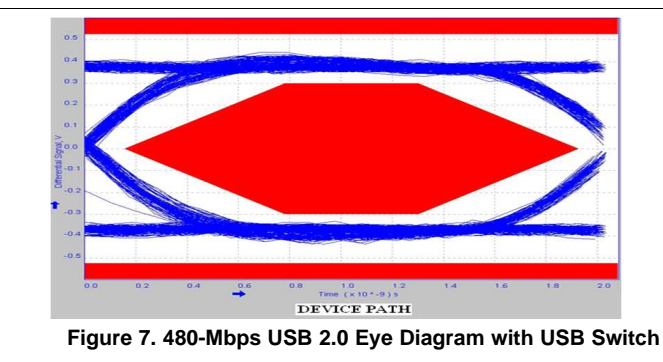
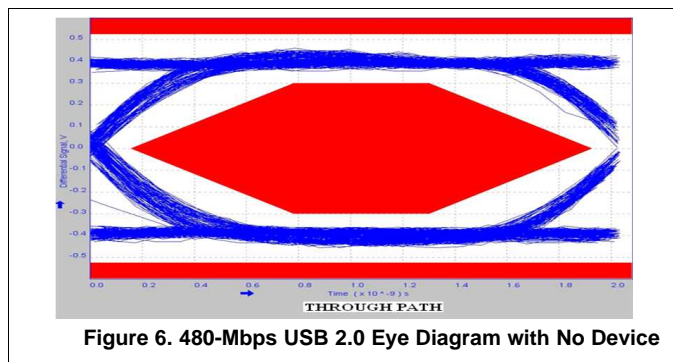
The minimum pull-up resistance for the open-drain data lines is a function of the pull-up voltage V<sub>PU</sub>, output logic LOW voltage V<sub>OL(max)</sub>, and Output logic LOW current I<sub>OL</sub>.

$$R_{PU(MIN)} = (V_{PU} - V_{OL(MAX)}) / I_{OL} \quad (1)$$

The maximum pull-up resistance for the open-drain data lines is a function of the maximum rise time of the desired signal, t<sub>r</sub>, and the bus capacitance, C<sub>b</sub>.

$$R_{PU(MAX)} = t_r / (0.8473 \times C_b) \quad (2)$$

### 8.2.3 Application Curves



## 9 Power Supply Recommendations

Power to the device is supplied through the VBUS pin from the device that is inserted into the mini or micro-USB port. The power from the inserted devices should follow the USB 2.0 standard 5 V at 500 mA. VBUS also requires 1µF – 10µF and 0.1-µF bypass capacitors to reduce noise from circuit elements by providing a low impedance path to ground for the unwanted high frequency content.

## 10 Layout

### 10.1 Layout Guidelines

Place VBUS bypass capacitors as close to VBUS pin as possible and avoid placing the bypass caps near the DP/DM traces.

The high speed DP/DM traces should always be matched lengths and must be no more than 4 inches; otherwise, the eye diagram performance may be degraded. A high-speed USB connection is made through a shielded, twisted pair cable with a differential characteristic impedance of  $90 \Omega \pm 15\%$ . In layout, the impedance of DP and DM traces should match the cable characteristic differential 90- $\Omega$  impedance.

Route the high-speed USB signals on the plane closest to the ground plane, whenever possible.

Route the high-speed USB signals using a minimum of vias and corners. This reduces signal reflections and impedance changes. When a via must be used, increase the clearance size around it to minimize its capacitance. Each via introduces discontinuities in the signal's transmission line and increases the chance of picking up interference from the other layers of the board. Be careful when designing test points on twisted pair lines; through-hole pins are not recommended.

When it becomes necessary to turn 90°, use two 45° turns or an arc instead of making a single 90° turn. This reduces reflections on the signal traces by minimizing impedance discontinuities.

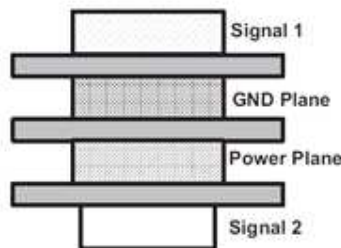
Do not route USB traces under or near crystals, oscillators, clock signal generators, switching regulators, mounting holes, magnetic devices or IC's that use or duplicate clock signals.

Avoid stubs on the high-speed USB signals because they cause signal reflections. If a stub is unavoidable, then the stub should be less than 200 mils.

Route all high-speed USB signal traces over continuous planes (VCC or GND), with no interruptions.

Avoid crossing over anti-etch, commonly found with plane splits.

Due to high frequencies associated with the USB, a printed circuit board with at least four layers is recommended; two signal layers separated by a ground and power layer as shown in [Figure 8](#).



**Figure 8. Four-Layer Board Stack-Up**

The majority of signal traces should run on a single layer, preferably SIGNAL1. Immediately next to this layer should be the GND plane, which is solid with no cuts. Avoid running signal traces across a split in the ground or power plane. When running across split planes is unavoidable, sufficient decoupling must be used. Minimizing the number of signal vias reduces EMI by reducing inductance at high frequencies.

## 10.2 Layout Example

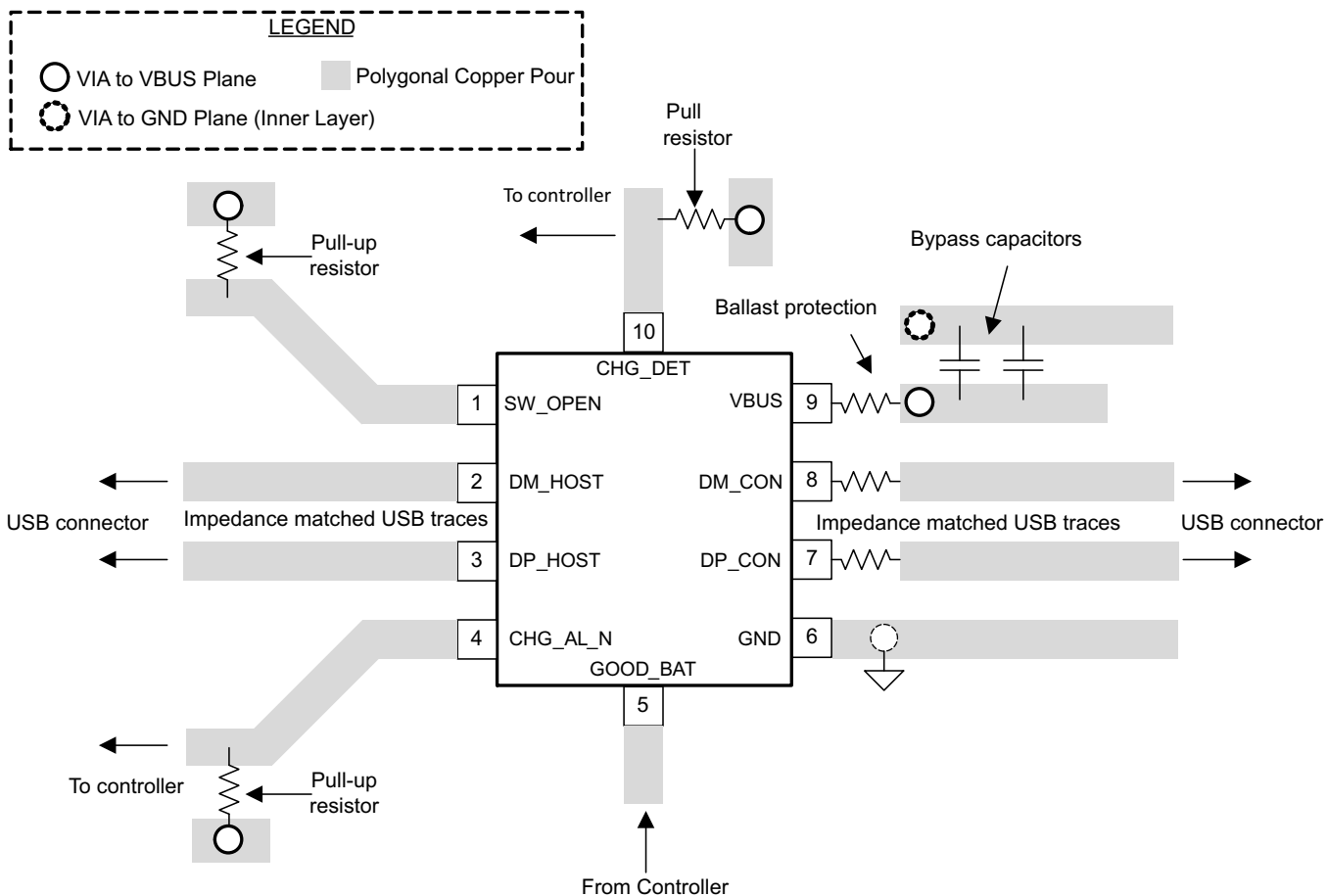


Figure 9. Package Layout Example

## 11 Device and Documentation Support

### 11.1 Trademarks

Apple is a trademark of Apple.

TomTom is a trademark of TomTom International.

All other trademarks are the property of their respective owners.

### 11.2 Electrostatic Discharge Caution



These devices have limited built-in ESD protection. The leads should be shorted together or the device placed in conductive foam during storage or handling to prevent electrostatic damage to the MOS gates.

### 11.3 Glossary

[SLYZ022](#) — *TI Glossary*.

This glossary lists and explains terms, acronyms, and definitions.

## 12 Mechanical, Packaging, and Orderable Information

The following pages include mechanical, packaging, and orderable information. This information is the most current data available for the designated devices. This data is subject to change without notice and revision of this document. For browser-based versions of this data sheet, refer to the left-hand navigation.

**PACKAGING INFORMATION**

Orderable Device	Status (1)	Package Type	Package Drawing	Pins	Package Qty	Eco Plan (2)	Lead/Ball Finish (6)	MSL Peak Temp (3)	Op Temp (°C)	Device Marking (4/5)	Samples
BQ24392RSER	ACTIVE	UQFN	RSE	10	3000	Green (RoHS & no Sb/Br)	CU NIPDAUAG	Level-1-260C-UNLIM	-40 to 85	APH	Samples

(1) The marketing status values are defined as follows:

**ACTIVE:** Product device recommended for new designs.

**LIFEBUY:** TI has announced that the device will be discontinued, and a lifetime-buy period is in effect.

**NRND:** Not recommended for new designs. Device is in production to support existing customers, but TI does not recommend using this part in a new design.

**PREVIEW:** Device has been announced but is not in production. Samples may or may not be available.

**OBSELETE:** TI has discontinued the production of the device.

(2) Eco Plan - The planned eco-friendly classification: Pb-Free (RoHS), Pb-Free (RoHS Exempt), or Green (RoHS & no Sb/Br) - please check <http://www.ti.com/productcontent> for the latest availability information and additional product content details.

**TBD:** The Pb-Free/Green conversion plan has not been defined.

**Pb-Free (RoHS):** TI's terms "Lead-Free" or "Pb-Free" mean semiconductor products that are compatible with the current RoHS requirements for all 6 substances, including the requirement that lead not exceed 0.1% by weight in homogeneous materials. Where designed to be soldered at high temperatures, TI Pb-Free products are suitable for use in specified lead-free processes.

**Pb-Free (RoHS Exempt):** This component has a RoHS exemption for either 1) lead-based flip-chip solder bumps used between the die and package, or 2) lead-based die adhesive used between the die and leadframe. The component is otherwise considered Pb-Free (RoHS compatible) as defined above.

**Green (RoHS & no Sb/Br):** TI defines "Green" to mean Pb-Free (RoHS compatible), and free of Bromine (Br) and Antimony (Sb) based flame retardants (Br or Sb do not exceed 0.1% by weight in homogeneous material)

(3) MSL, Peak Temp. - The Moisture Sensitivity Level rating according to the JEDEC industry standard classifications, and peak solder temperature.

(4) There may be additional marking, which relates to the logo, the lot trace code information, or the environmental category on the device.

(5) Multiple Device Markings will be inside parentheses. Only one Device Marking contained in parentheses and separated by a "~" will appear on a device. If a line is indented then it is a continuation of the previous line and the two combined represent the entire Device Marking for that device.

(6) Lead/Ball Finish - Orderable Devices may have multiple material finish options. Finish options are separated by a vertical ruled line. Lead/Ball Finish values may wrap to two lines if the finish value exceeds the maximum column width.

**Important Information and Disclaimer:** The information provided on this page represents TI's knowledge and belief as of the date that it is provided. TI bases its knowledge and belief on information provided by third parties, and makes no representation or warranty as to the accuracy of such information. Efforts are underway to better integrate information from third parties. TI has taken and continues to take reasonable steps to provide representative and accurate information but may not have conducted destructive testing or chemical analysis on incoming materials and chemicals. TI and TI suppliers consider certain information to be proprietary, and thus CAS numbers and other limited information may not be available for release.

In no event shall TI's liability arising out of such information exceed the total purchase price of the TI part(s) at issue in this document sold by TI to Customer on an annual basis.



**OTHER QUALIFIED VERSIONS OF BQ24392 :**

- Automotive: [BQ24392-Q1](#)

## NOTE: Qualified Version Definitions:

- Automotive - Q100 devices qualified for high-reliability automotive applications targeting zero defects

## TAPE AND REEL INFORMATION



### QUADRANT ASSIGNMENTS FOR PIN 1 ORIENTATION IN TAPE



\*All dimensions are nominal

Device	Package Type	Package Drawing	Pins	SPQ	Reel Diameter (mm)	Reel Width W1 (mm)	A0 (mm)	B0 (mm)	K0 (mm)	P1 (mm)	W (mm)	Pin1 Quadrant
BQ24392RSER	UQFN	RSE	10	3000	180.0	8.4	1.68	2.13	0.76	4.0	8.0	Q1

**TAPE AND REEL BOX DIMENSIONS**

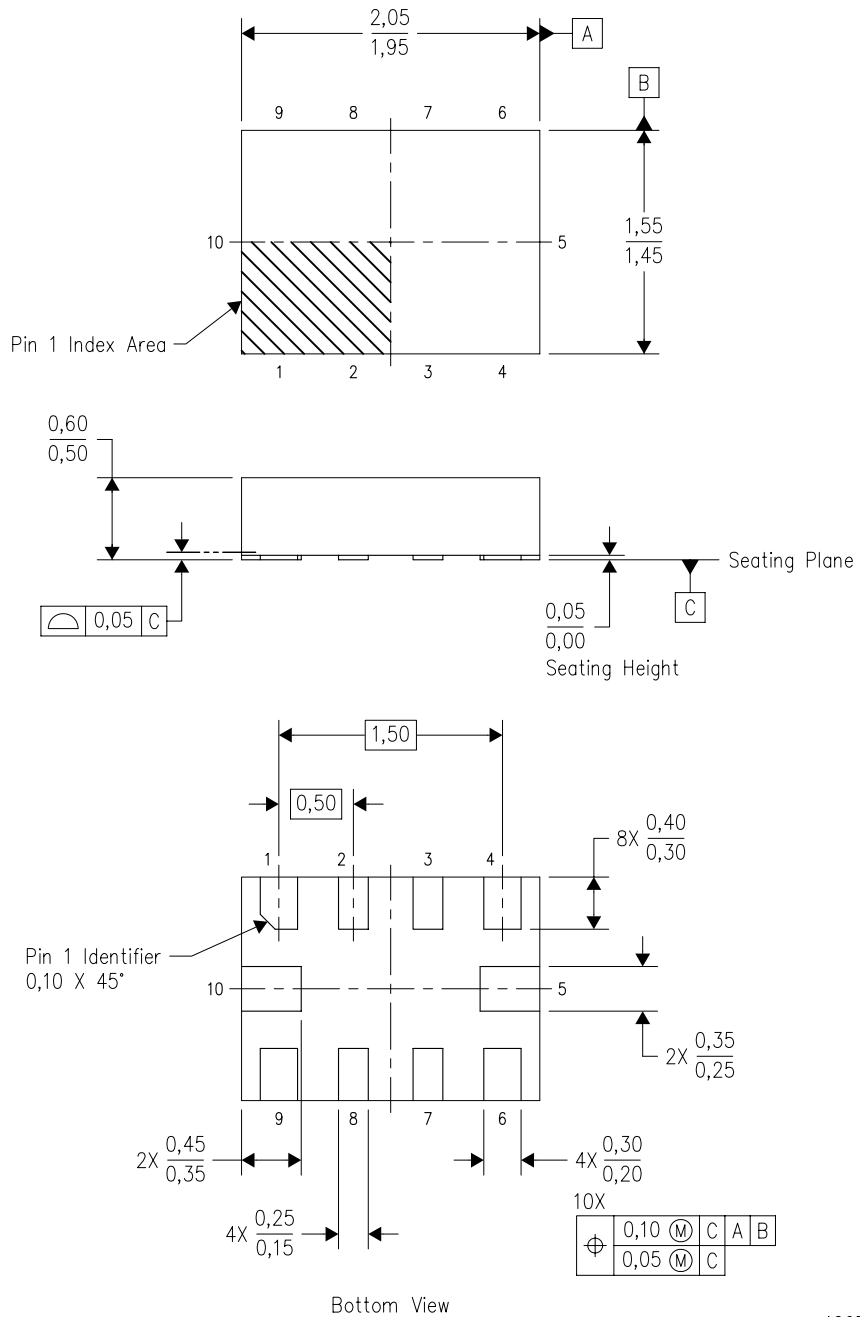


\*All dimensions are nominal

Device	Package Type	Package Drawing	Pins	SPQ	Length (mm)	Width (mm)	Height (mm)
BQ24392RSER	UQFN	RSE	10	3000	202.0	201.0	28.0

RSE (R-PUQFN-N10)

PLASTIC QUAD FLATPACK NO-LEAD

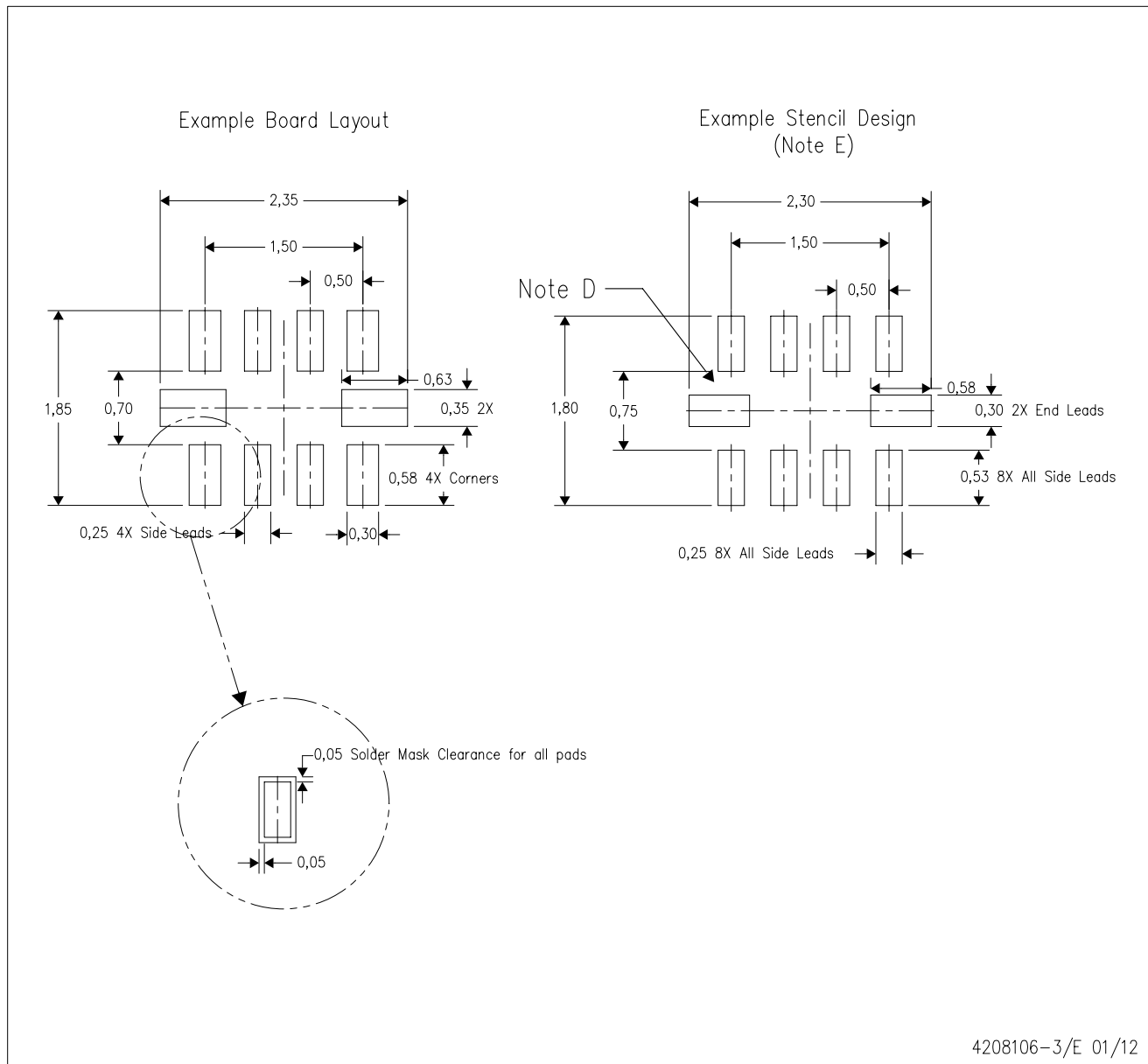


4207268-3/D 01/11

- NOTES:
- A. All linear dimensions are in millimeters. Dimensioning and tolerancing per ASME Y14.5M-1994.
  - B. This drawing is subject to change without notice.
  - C. QFN (Quad Flatpack No-Lead) package configuration.
  - D. This package complies to JEDEC MO-288 variation UDFD.

RSE (R-PUQFN-N10)

PLASTIC QUAD FLATPACK NO-LEAD



- NOTES:
- A. All linear dimensions are in millimeters.
  - B. This drawing is subject to change without notice.
  - C. Publication IPC-7351 is recommended for alternate designs.
  - D. Customers should contact their board fabrication site for minimum solder mask web tolerances between signal pads.
  - E. Maximum stencil thickness 0,127 mm (5 mils). All linear dimensions are in millimeters.
  - F. Laser cutting apertures with trapezoidal walls and also rounding corners will offer better paste release. Customers should contact their board assembly site for stencil design recommendations. Refer to IPC 7525 for stencil design considerations.
  - G. Side aperture dimensions over-print land for acceptable area ratio > 0.66. Customer may reduce side aperture dimensions if stencil manufacturing process allows for sufficient release at smaller opening.

## IMPORTANT NOTICE

Texas Instruments Incorporated and its subsidiaries (TI) reserve the right to make corrections, enhancements, improvements and other changes to its semiconductor products and services per JESD46, latest issue, and to discontinue any product or service per JESD48, latest issue. Buyers should obtain the latest relevant information before placing orders and should verify that such information is current and complete. All semiconductor products (also referred to herein as "components") are sold subject to TI's terms and conditions of sale supplied at the time of order acknowledgment.

TI warrants performance of its components to the specifications applicable at the time of sale, in accordance with the warranty in TI's terms and conditions of sale of semiconductor products. Testing and other quality control techniques are used to the extent TI deems necessary to support this warranty. Except where mandated by applicable law, testing of all parameters of each component is not necessarily performed.

TI assumes no liability for applications assistance or the design of Buyers' products. Buyers are responsible for their products and applications using TI components. To minimize the risks associated with Buyers' products and applications, Buyers should provide adequate design and operating safeguards.

TI does not warrant or represent that any license, either express or implied, is granted under any patent right, copyright, mask work right, or other intellectual property right relating to any combination, machine, or process in which TI components or services are used. Information published by TI regarding third-party products or services does not constitute a license to use such products or services or a warranty or endorsement thereof. Use of such information may require a license from a third party under the patents or other intellectual property of the third party, or a license from TI under the patents or other intellectual property of TI.

Reproduction of significant portions of TI information in TI data books or data sheets is permissible only if reproduction is without alteration and is accompanied by all associated warranties, conditions, limitations, and notices. TI is not responsible or liable for such altered documentation. Information of third parties may be subject to additional restrictions.

Resale of TI components or services with statements different from or beyond the parameters stated by TI for that component or service voids all express and any implied warranties for the associated TI component or service and is an unfair and deceptive business practice. TI is not responsible or liable for any such statements.

Buyer acknowledges and agrees that it is solely responsible for compliance with all legal, regulatory and safety-related requirements concerning its products, and any use of TI components in its applications, notwithstanding any applications-related information or support that may be provided by TI. Buyer represents and agrees that it has all the necessary expertise to create and implement safeguards which anticipate dangerous consequences of failures, monitor failures and their consequences, lessen the likelihood of failures that might cause harm and take appropriate remedial actions. Buyer will fully indemnify TI and its representatives against any damages arising out of the use of any TI components in safety-critical applications.

In some cases, TI components may be promoted specifically to facilitate safety-related applications. With such components, TI's goal is to help enable customers to design and create their own end-product solutions that meet applicable functional safety standards and requirements. Nonetheless, such components are subject to these terms.

No TI components are authorized for use in FDA Class III (or similar life-critical medical equipment) unless authorized officers of the parties have executed a special agreement specifically governing such use.

Only those TI components which TI has specifically designated as military grade or "enhanced plastic" are designed and intended for use in military/aerospace applications or environments. Buyer acknowledges and agrees that any military or aerospace use of TI components which have **not** been so designated is solely at the Buyer's risk, and that Buyer is solely responsible for compliance with all legal and regulatory requirements in connection with such use.

TI has specifically designated certain components as meeting ISO/TS16949 requirements, mainly for automotive use. In any case of use of non-designated products, TI will not be responsible for any failure to meet ISO/TS16949.

### Products

Audio	<a href="http://www.ti.com/audio">www.ti.com/audio</a>
Amplifiers	<a href="http://amplifier.ti.com">amplifier.ti.com</a>
Data Converters	<a href="http://dataconverter.ti.com">dataconverter.ti.com</a>
DLP® Products	<a href="http://www.dlp.com">www.dlp.com</a>
DSP	<a href="http://dsp.ti.com">dsp.ti.com</a>
Clocks and Timers	<a href="http://www.ti.com/clocks">www.ti.com/clocks</a>
Interface	<a href="http://interface.ti.com">interface.ti.com</a>
Logic	<a href="http://logic.ti.com">logic.ti.com</a>
Power Mgmt	<a href="http://power.ti.com">power.ti.com</a>
Microcontrollers	<a href="http://microcontroller.ti.com">microcontroller.ti.com</a>
RFID	<a href="http://www.ti-rfid.com">www.ti-rfid.com</a>
OMAP Applications Processors	<a href="http://www.ti.com/omap">www.ti.com/omap</a>
Wireless Connectivity	<a href="http://www.ti.com/wirelessconnectivity">www.ti.com/wirelessconnectivity</a>

### Applications

Automotive and Transportation	<a href="http://www.ti.com/automotive">www.ti.com/automotive</a>
Communications and Telecom	<a href="http://www.ti.com/communications">www.ti.com/communications</a>
Computers and Peripherals	<a href="http://www.ti.com/computers">www.ti.com/computers</a>
Consumer Electronics	<a href="http://www.ti.com/consumer-apps">www.ti.com/consumer-apps</a>
Energy and Lighting	<a href="http://www.ti.com/energy">www.ti.com/energy</a>
Industrial	<a href="http://www.ti.com/industrial">www.ti.com/industrial</a>
Medical	<a href="http://www.ti.com/medical">www.ti.com/medical</a>
Security	<a href="http://www.ti.com/security">www.ti.com/security</a>
Space, Avionics and Defense	<a href="http://www.ti.com/space-avionics-defense">www.ti.com/space-avionics-defense</a>
Video and Imaging	<a href="http://www.ti.com/video">www.ti.com/video</a>

### TI E2E Community

[e2e.ti.com](http://e2e.ti.com)