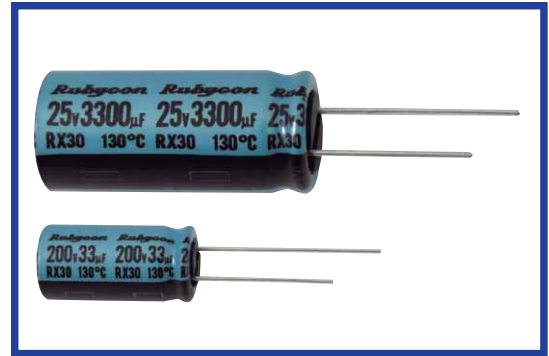


RX30 SERIES

Load Life : 130°C 1000~4000 hours.

◆ **FEATURES**

- For LED Lighting.
- For Automotive applications.
- RoHS compliance.



◆ **SPECIFICATIONS**

Items	Characteristics								
Category Temperature Range	-40~+130°C	-25~+130°C							
Rated Voltage Range	10~100V.DC	200,400V.DC							
Capacitance Tolerance	±20% (20°C, 120Hz)								
Leakage Current(MAX)	I=0.01CV or 3µA whichever is greater. (After 2 minutes application of rated voltage)	CV≤1000							
		CV>1000							
		I=0.1CV+40µA (1 minute) I=0.03CV+15µA (5 minutes)							
		I=0.04CV+100µA (1 minute) I=0.02CV+25µA (5 minutes)							
	I=Leakage Current(µA)	C=Capacitance(µF) V=Rated Voltage(V)							
Dissipation Factor(MAX) (tanδ)	Rated Voltage (V)								
	tanδ								
	10	16							
	25	35							
	50	63							
	100	200							
	400	400							
	(20°C, 120Hz)								
	When capacitance is over 1000µF, tanδ shall be added 0.02 to the listed value with increase of every 1000µF.								
Endurance	After life test with rated ripple current at conditions stated in the table below at 130°C, the capacitors shall meet the following requirements.								
		10~100V.DC	200,400V.DC						
	Capacitance Change	Within ±30% of the initial value.	Within ±20% of the initial value.						
	Dissipation Factor	Not more than 300% of the specified value.	Not more than 200% of the specified value.						
	Leakage Current								
	Not more than the specified value.								
	Case Size	Life Time (hrs)							
		10~100V	200, 400V						
	φD=6.3	—	1000						
	φD=8, 10	2000	2000						
	φD≥12.5	4000	—						
Low Temperature Stability Impedance Ratio(MAX)	Rated Voltage (V)		(120Hz)						
	Z(-25°C)/Z(20°C)								
	Z(-40°C)/Z(20°C)								
	10	16	25	35	50	63	100	200	400
	3	2	2	2	2	2	2	3	6
	6	4	3	3	3	3	3	—	—

◆ **MULTIPLIER FOR RIPPLE CURRENT**

10~100V.DC

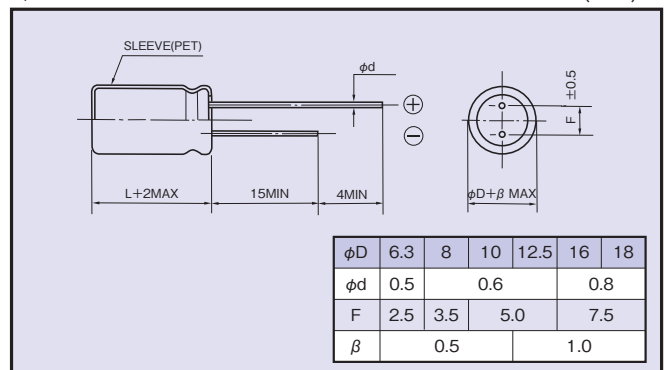
Frequency (Hz)	60(50)	120	1k	10k	100k≤	
Coefficient	4.7µF	0.35	0.42	0.60	0.80	1.00
	10~33µF	0.45	0.55	0.75	0.90	1.00
	47~330µF	0.60	0.70	0.85	0.95	1.00
	470~1500µF	0.65	0.75	0.90	0.98	1.00
	2200~4700µF	0.75	0.80	0.95	1.00	1.00

200, 400V.DC

Frequency (Hz)	120	1k	10k	100k≤	
Coefficient	1~5.6µF	0.20	0.40	0.80	1.00
	6.8~15µF	0.30	0.60	0.90	1.00
	22~33µF	0.50	0.80	0.90	1.00

◆ **DIMENSIONS**

(mm)



◆ **PART NUMBER**

□□□ RX30 □□□□□ M □□□ □□ D×L
 Rated Voltage Series Capacitance Capacitance Tolerance Option Lead Forming Case Size

◆ **OPTION**

OPTION	Code
PET Sleeve	Blank

◆STANDARD SIZE

Rated Voltage (V·DC)	capacitance (μF)	Size φD×L(mm)	Rated ripple current (mA r.m.s./130°C, 100kHz)	Impedance (Ω MAX)
				20°C, 100kHz
10 (1A)	330	8×11.5	360	0.22
	470	10×12.5	620	0.15
	1000	10×20	960	0.073
	2200	12.5×25	1430	0.040
	3300	16×25	1900	0.038
	4700	16×31.5	2300	0.034
16 (1C)	330	8×11.5	360	0.22
	470	10×12.5	620	0.15
	1000	10×20	960	0.073
	2200	12.5×25	1430	0.040
	3300	16×31.5	2300	0.034
	4700	16×35.5	2550	0.031
25 (1E)	220	8×11.5	360	0.22
	330	10×12.5	620	0.15
	470	10×16	800	0.10
	1000	12.5×20	1100	0.055
	2200	16×31.5	2300	0.034
35 (1V)	3300	16×35.5	2550	0.031
	100	8×11.5	360	0.22
	220	10×12.5	620	0.15
	330	10×16	800	0.10
	470	10×20	960	0.073
	1000	12.5×25	1430	0.040
50 (1H)	2200	16×35.5	2550	0.031
	3300	18×35.5	2800	0.028
	4.7	8×11.5	100	0.85
	10	8×11.5	200	0.60
	22	8×11.5	260	0.35
	33	8×11.5	300	0.28
	47	8×11.5	300	0.28
63 (1J)	100	10×12.5	520	0.18
	220	10×20	890	0.082
	330	12.5×20	1000	0.065
	470	12.5×25	1200	0.051
	1000	16×31.5	2180	0.037
	2200	18×40	2800	0.029
	33	8×11.5	250	0.40
	47	10×12.5	400	0.27
	100	10×16	450	0.20
	220	12.5×20	820	0.10
100 (2A)	330	12.5×25	1000	0.072
	470	16×25	1500	0.069
	1000	16×31.5	1850	0.056
	1500	18×40	2350	0.043
	4.7	8×11.5	100	1.3
	10	8×11.5	200	1.0
	22	8×11.5	220	0.67
	33	10×12.5	260	0.45
200 (2D)	47	10×16	330	0.33
	100	12.5×20	670	0.17
	220	16×25	1100	0.13
	330	16×31.5	1300	0.10
	470	18×31.5	1600	0.092
	4.7	6.3×11	100	
	5.6	8×11.5	130	
	6.8	8×11.5	130	
400 (2G)	10	8×16	180	
	15	8×16	200	
	22	8×20	240	
	33	10×16	240	
	1	6.3×11	60	
	1.5	8×11.5	65	
		8×16	75	
	1.8	8×11.5	75	
		8×16	80	
	2.2	8×11.5	75	
8×16		85		
2.7	8×16	75		
	8×20	80		
3.3	8×20	85		
	8×20	95		
4.7	8×16	95		
	8×20	115		
5.6	8×16	100		
	8×20	120		
6.8	10×16	120		
	10×20	125		
100	10×16	130		
	10×20	145		
200	10×16	150		
	10×20	150		

Rated Voltage (V·DC)	capacitance (μF)	Size φD×L(mm)	Rated ripple current (mA r.m.s./130°C, 100kHz)
200 (2D)	4.7	6.3×11	100
	5.6	8×11.5	120
		8×16	130
	6.8	8×11.5	130
		8×16	180
	10	8×16	200
		8×20	240
	15	8×16	200
		8×20	240
	22	8×20	300
10×16		240	
33	10×20	320	
400 (2G)	1	6.3×11	60
		8×11.5	65
	1.5	8×11.5	75
		8×16	80
	1.8	8×11.5	75
		8×16	85
	2.2	8×11.5	75
		8×16	90
	2.7	8×20	110
		8×16	95
	3.3	8×20	115
		8×16	100
	4.7	8×20	120
		10×16	125
5.6	10×16	130	
	10×20	145	
6.8	10×16	150	
	10×20	150	