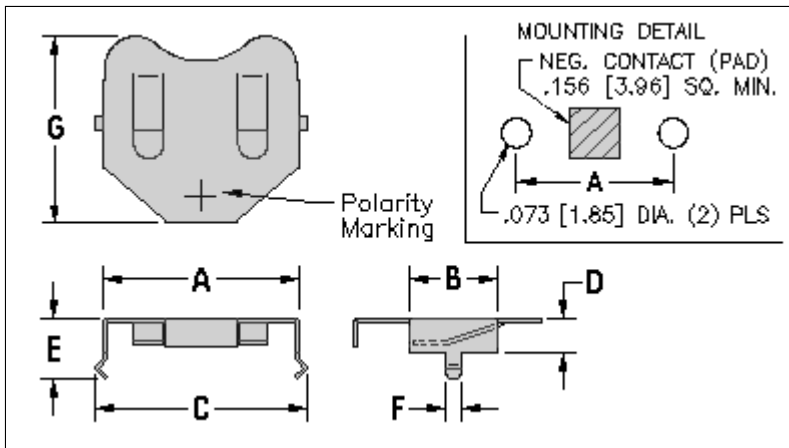


ISO 9001 Certified Manufacturer



Thru Hole Mount PCB Lithium Coin Cell Battery Retainers



Cat. No.	A	B	C	D	E	F	G	Cell Size
2999	.315 [8.0]	.197 [5.0]	.380 [9.6]	.125 [3.2]	.215 [5.4]	.062 [1.6]	.315 [8.0]	6.8mm
2997	.520 [13.2]	.265 [6.7]	.585 [14.9]	.238 [6.1]	.328 [8.3]	.062 [1.6]	.500 [12.7]	11.6mm
3001	.520 [13.2]	.281 [7.1]	.585 [14.9]	.118 [3.0]	.210 [5.3]	.062 [1.6]	.500 [12.7]	12mm
3013	.664 [16.7]	.250 [6.4]	.723 [18.4]	.145 [3.7]	.265 [6.7]	.062 [1.6]	.594 [15.1]	16mm
3003	.831 [21.1]	.371 [9.4]	.890 [22.6]	.145 [3.7]	.265 [6.7]	.062 [1.6]	.775 [19.7]	20mm
3005	.939 [23.9]	.371 [9.4]	1.004 [25.5]	.145 [3.7]	.256 [6.5]	.062 [1.6]	.939 [23.9]	23mm
3011	.939 [23.9]	.371 [9.4]	1.004 [25.5]	.240 [6.1]	.351 [8.9]	.062 [1.6]	.819 [20.8]	2354
3007	1.000 [25.4]	.371 [9.4]	1.065 [27.1]	.145 [3.7]	.265 [6.7]	.062 [1.6]	.918 [23.3]	24mm
3009	1.000 [25.4]	.500 [12.7]	1.059 [26.9]	.230 [5.9]	.350 [8.9]	.062 [1.6]	.890 [22.6]	2450
Material: .010 [2.54] Phosphor Bronze								Finish: Tin Nickel Plate
Also Available Optional Negative Bottom Contact, Cat. No. 2990								

Battery Reference		
Cat. No.	Duracell, Eveready, Panasonic, Sony, Toshiba, Varta, Ray-O-Vac, Sanyo, Seiko	Cell Size
2999	D377,D364,D321,43, SB-BW,280,377,364,321,V377,V364,V321,SB-AW,SB-AG,SB-AF,SR626,SR621,SR616	6.8mm
2997	SR44, LR44, 357,MS76, PX76A,G-13,303,V313	11.6mm
3001	BR1216, CR1216, BR1220, CL1220, CR1220, BR1225	12mm
3013	BR1616, CR1612, CR1616, CR1620, CR1632	16mm
3003	BR2016, CR2016, DL2016, BR2020, CL2020, BR2025, CR2025, DL2025, DR2032, CR2032, DL2032	20mm
3005	BR2320, CL2320, CR2320, BR2325, CR2325, DL2325, BR2330, CL2330	23mm

3011	CR2354, DL2354	2354
3007	CR2430, DL2430	24mm
3009	CR2450, DL2450	2450

[Click to Request Samples](#)

[VIEW PRODUCT OVERVIEW](#)

© 2009 Keystone Electronics Corp. | 31-07 20th Road | Astoria, NY 11105 | 718-956-8900 | 800-221-5510 | 718-956-9040 fax | www.keyelco.com