

LM124,LM224,LM2902,LM324

LM124/LM224/LM324/LM2902 Low Power Quad Operational Amplifiers



Literature Number: SNOSC16B

LM124/LM224/LM324/LM2902

Low Power Quad Operational Amplifiers

General Description

The LM124 series consists of four independent, high gain, internally frequency compensated operational amplifiers which were designed specifically to operate from a single power supply over a wide range of voltages. Operation from split power supplies is also possible and the low power supply current drain is independent of the magnitude of the power supply voltage.

Application areas include transducer amplifiers, DC gain blocks and all the conventional op amp circuits which now can be more easily implemented in single power supply systems. For example, the LM124 series can be directly operated off of the standard +5V power supply voltage which is used in digital systems and will easily provide the required interface electronics without requiring the additional $\pm 15V$ power supplies.

Unique Characteristics

- In the linear mode the input common-mode voltage range includes ground and the output voltage can also swing to ground, even though operated from only a single power supply voltage
- The unity gain cross frequency is temperature compensated
- The input bias current is also temperature compensated

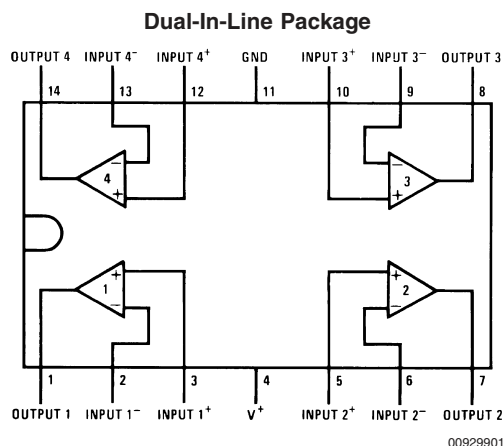
Advantages

- Eliminates need for dual supplies
- Four internally compensated op amps in a single package
- Allows directly sensing near GND and V_{OUT} also goes to GND
- Compatible with all forms of logic
- Power drain suitable for battery operation

Features

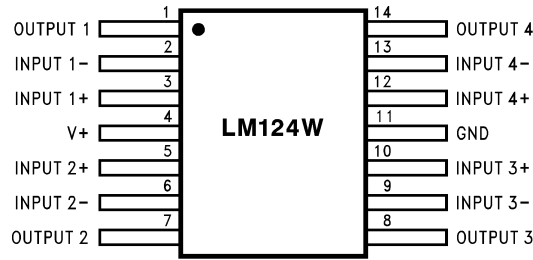
- Internally frequency compensated for unity gain
- Large DC voltage gain 100 dB
- Wide bandwidth (unity gain) 1 MHz (temperature compensated)
- Wide power supply range:
 - Single supply 3V to 32V
 - or dual supplies $\pm 1.5V$ to $\pm 16V$
- Very low supply current drain (700 μA)—essentially independent of supply voltage
- Low input biasing current 45 nA (temperature compensated)
- Low input offset voltage 2 mV and offset current: 5 nA
- Input common-mode voltage range includes ground
- Differential input voltage range equal to the power supply voltage
- Large output voltage swing 0V to $V^+ - 1.5V$

Connection Diagrams



Order Number LM124J, LM124AJ, LM124J/883 (Note 2), LM124AJ/883 (Note 1), LM224J, LM224AJ, LM324J, LM324M, LM324MX, LM324AM, LM324AMX, LM2902M, LM2902MX, LM324N, LM324AN, LM324MT, LM324MTX or LM2902N LM124AJRQML and LM124AJRQMLV (Note 3)
See NS Package Number J14A, M14A or N14A

Connection Diagrams (Continued)



00929933

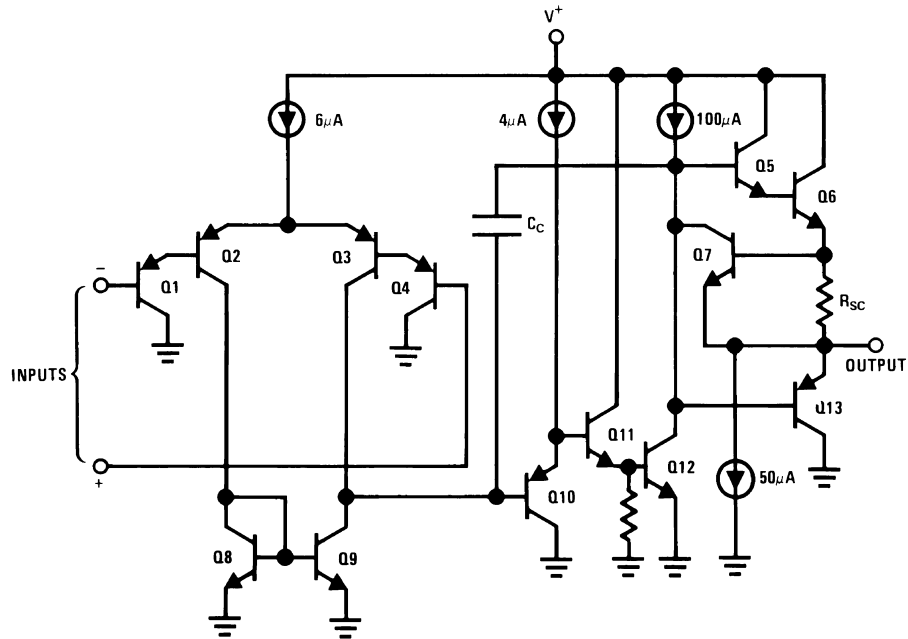
Order Number LM124AW/883, LM124AWG/883, LM124W/883 or LM124WG/883
 LM124AWRQML and LM124AWRQMLV(Note 3)
 See NS Package Number W14B
 LM124AWGRQML and LM124AWGRQMLV(Note 3)
 See NS Package Number WG14A

Note 1: LM124A available per JM38510/11006

Note 2: LM124 available per JM38510/11005

Note 3: See STD Mil DWG 5962R99504 for Radiation Tolerant Device

Schematic Diagram (Each Amplifier)



00929902

Absolute Maximum Ratings (Note 12)

If Military/Aerospace specified devices are required, please contact the National Semiconductor Sales Office/

Distributors for availability and specifications.

	LM124/LM224/LM324 LM124A/LM224A/LM324A	LM2902
Supply Voltage, V ⁺	32V	26V
Differential Input Voltage	32V	26V
Input Voltage	-0.3V to +32V	-0.3V to +26V
Input Current (V _{IN} < -0.3V) (Note 6)	50 mA	50 mA
Power Dissipation (Note 4)		
Molded DIP	1130 mW	1130 mW
Cavity DIP	1260 mW	1260 mW
Small Outline Package	800 mW	800 mW
Output Short-Circuit to GND (One Amplifier) (Note 5) V ⁺ ≤ 15V and T _A = 25°C	Continuous	Continuous
Operating Temperature Range		-40°C to +85°C
LM324/LM324A	0°C to +70°C	
LM224/LM224A	-25°C to +85°C	
LM124/LM124A	-55°C to +125°C	
Storage Temperature Range	-65°C to +150°C	-65°C to +150°C
Lead Temperature (Soldering, 10 seconds)	260°C	260°C
Soldering Information		
Dual-In-Line Package		
Soldering (10 seconds)	260°C	260°C
Small Outline Package		
Vapor Phase (60 seconds)	215°C	215°C
Infrared (15 seconds)	220°C	220°C
See AN-450 "Surface Mounting Methods and Their Effect on Product Reliability" for other methods of soldering surface mount devices.		
ESD Tolerance (Note 13)	250V	250V

Electrical Characteristics

V⁺ = +5.0V, (Note 7), unless otherwise stated

Parameter	Conditions	LM124A			LM224A			LM324A			Units
		Min	Typ	Max	Min	Typ	Max	Min	Typ	Max	
Input Offset Voltage	(Note 8) T _A = 25°C	1	2		1	3		2	3		mV
Input Bias Current (Note 9)	I _{IN(+)} or I _{IN(-)} , V _{CM} = 0V, T _A = 25°C	20	50		40	80		45	100		nA
Input Offset Current	I _{IN(+)} or I _{IN(-)} , V _{CM} = 0V, T _A = 25°C	2	10		2	15		5	30		nA
Input Common-Mode Voltage Range (Note 10)	V ⁺ = 30V, (LM2902, V ⁺ = 26V), T _A = 25°C	0	V ⁺ -1.5		0	V ⁺ -1.5		0	V ⁺ -1.5		V
Supply Current	Over Full Temperature Range R _L = ∞ On All Op Amps V ⁺ = 30V (LM2902 V ⁺ = 26V) V ⁺ = 5V										mA
Large Signal Voltage Gain	V ⁺ = 15V, R _L ≥ 2kΩ, (V _O = 1V to 11V), T _A = 25°C	50	100		50	100		25	100		V/mV
Common-Mode	DC, V _{CM} = 0V to V ⁺ - 1.5V,	70	85		70	85		65	85		dB

Electrical Characteristics (Continued)V⁺ = +5.0V, (Note 7), unless otherwise stated

Parameter	Conditions	LM124A			LM224A			LM324A			Units		
		Min	Typ	Max	Min	Typ	Max	Min	Typ	Max			
Rejection Ratio	T _A = 25°C												
Power Supply Rejection Ratio	V ⁺ = 5V to 30V (LM2902, V ⁺ = 5V to 26V), T _A = 25°C	65	100		65	100		65	100		dB		
Amplifier-to-Amplifier Coupling (Note 11)	f = 1 kHz to 20 kHz, T _A = 25°C (Input Referred)			-120			-120				-120	dB	
Output Current	Source	V _{IN⁺} = 1V, V _{IN⁻} = 0V, V ⁺ = 15V, V _O = 2V, T _A = 25°C			20	40		20	40		20	40	mA
	Sink	V _{IN⁻} = 1V, V _{IN⁺} = 0V, V ⁺ = 15V, V _O = 2V, T _A = 25°C			10	20		10	20		10	20	
		V _{IN⁻} = 1V, V _{IN⁺} = 0V, V ⁺ = 15V, V _O = 200 mV, T _A = 25°C			12	50		12	50		12	50	μA
Short Circuit to Ground	(Note 5) V ⁺ = 15V, T _A = 25°C			40	60		40	60		40	60	mA	
Input Offset Voltage	(Note 8)					4					4	5	mV
V _{OS} Drift	R _S = 0Ω			7	20		7	20		7	30	μV/°C	
Input Offset Current	I _{IN(+)} - I _{IN(-)} , V _{CM} = 0V					30					30	75	nA
I _{OS} Drift	R _S = 0Ω			10	200		10	200		10	300	pA/°C	
Input Bias Current	I _{IN(+)} or I _{IN(-)}			40	100		40	100		40	200	nA	
Input Common-Mode Voltage Range (Note 10)	V ⁺ = +30V (LM2902, V ⁺ = 26V)	0				V ⁺ -2	0				V ⁺ -2	0	V
Large Signal Voltage Gain	V ⁺ = +15V (V _O Swing = 1V to 11V) R _L ≥ 2 kΩ			25				25			15		V/mV
Output Voltage Swing	V _{OH}	V ⁺ = 30V	R _L = 2 kΩ			26			26			26	V
		(LM2902, V ⁺ = 26V)	R _L = 10 kΩ			27	28		27	28		27	
	V _{OL}	V ⁺ = 5V, R _L = 10 kΩ			5	20		5	20		5	20	mV
Output Current	Source	V _O = 2V			V _{IN⁺} = +1V, V _{IN⁻} = 0V, V ⁺ = 15V			10	20		10	20	mA
	Sink				V _{IN⁻} = +1V, V _{IN⁺} = 0V, V ⁺ = 15V			10	15		5	8	

Electrical CharacteristicsV⁺ = +5.0V, (Note 7), unless otherwise stated

Parameter	Conditions	LM124/LM224			LM324		LM2902		Units				
		Min	Typ	Max	Min	Typ	Max	Min		Typ	Max		
Input Offset Voltage	(Note 8) T _A = 25°C			2	5		2	7		2	7	mV	
Input Bias Current (Note 9)	I _{IN(+)} or I _{IN(-)} , V _{CM} = 0V, T _A = 25°C			45	150		45	250		45	250	nA	
Input Offset Current	I _{IN(+)} or I _{IN(-)} , V _{CM} = 0V, T _A = 25°C			3	30		5	50		5	50	nA	
Input Common-Mode Voltage Range (Note 10)	V ⁺ = 30V, (LM2902, V ⁺ = 26V), T _A = 25°C	0				V ⁺ -1.5	0				V ⁺ -1.5	0	V

Electrical Characteristics (Continued)V⁺ = +5.0V, (Note 7), unless otherwise stated

Parameter		Conditions		LM124/LM224			LM324			LM2902			Units
				Min	Typ	Max	Min	Typ	Max	Min	Typ	Max	
Supply Current		Over Full Temperature Range R _L = ∞ On All Op Amps V ⁺ = 30V (LM2902 V ⁺ = 26V) V ⁺ = 5V			1.5	3		1.5	3		1.5	3	mA
					0.7	1.2		0.7	1.2		0.7	1.2	
Large Signal Voltage Gain		V ⁺ = 15V, R _L ≥ 2kΩ, (V _O = 1V to 11V), T _A = 25°C		50	100		25	100		25	100		V/mV
Common-Mode Rejection Ratio		DC, V _{CM} = 0V to V ⁺ - 1.5V, T _A = 25°C		70	85		65	85		50	70		dB
Power Supply Rejection Ratio		V ⁺ = 5V to 30V (LM2902, V ⁺ = 5V to 26V), T _A = 25°C		65	100		65	100		50	100		dB
Amplifier-to-Amplifier Coupling (Note 11)		f = 1 kHz to 20 kHz, T _A = 25°C (Input Referred)		-120			-120			-120			dB
Output Current	Source	V _{IN⁺} = 1V, V _{IN⁻} = 0V, V ⁺ = 15V, V _O = 2V, T _A = 25°C		20	40		20	40		20	40		mA
	Sink	V _{IN⁻} = 1V, V _{IN⁺} = 0V, V ⁺ = 15V, V _O = 2V, T _A = 25°C		10	20		10	20		10	20		
		V _{IN⁻} = 1V, V _{IN⁺} = 0V, V ⁺ = 15V, V _O = 200 mV, T _A = 25°C		12	50		12	50		12	50		μA
Short Circuit to Ground		(Note 5) V ⁺ = 15V, T _A = 25°C		40	60		40	60		40	60		mA
Input Offset Voltage		(Note 8)		7			9			10			mV
V _{OS} Drift		R _S = 0Ω		7			7			7			μV/°C
Input Offset Current		I _{IN(+)} - I _{IN(-)} , V _{CM} = 0V		100			150			45	200		nA
I _{OS} Drift		R _S = 0Ω		10			10			10			pA/°C
Input Bias Current		I _{IN(+)} or I _{IN(-)}		40	300		40	500		40	500		nA
Input Common-Mode Voltage Range (Note 10)		V ⁺ = +30V (LM2902, V ⁺ = 26V)		0	V ⁺ -2		0	V ⁺ -2		0	V ⁺ -2		V
Large Signal Voltage Gain		V ⁺ = +15V (V _O Swing = 1V to 11V) R _L ≥ 2 kΩ		25			15			15			V/mV
Output Voltage Swing	V _{OH}	V ⁺ = 30V (LM2902, V ⁺ = 26V)		26		26		22					V
	V _{OL}	V ⁺ = 5V, R _L = 10 kΩ		5	20		5	20		5	100		
Output Current	Source	V _O = 2V		10		20		10		20		mA	
	Sink	V _{IN⁺} = +1V, V _{IN⁻} = 0V, V ⁺ = 15V		5		8		5		8			
		V _{IN⁻} = +1V, V _{IN⁺} = 0V, V ⁺ = 15V		5		8		5		8			

Note 4: For operating at high temperatures, the LM324/LM324A/LM2902 must be derated based on a +125°C maximum junction temperature and a thermal resistance of 88°C/W which applies for the device soldered in a printed circuit board, operating in a still air ambient. The LM224/LM224A and LM124/LM124A can be derated based on a +150°C maximum junction temperature. The dissipation is the total of all four amplifiers — use external resistors, where possible, to allow the amplifier to saturate or to reduce the power which is dissipated in the integrated circuit.

Note 5: Short circuits from the output to V⁺ can cause excessive heating and eventual destruction. When considering short circuits to ground, the maximum output current is approximately 40 mA independent of the magnitude of V⁺. At values of supply voltage in excess of +15V, continuous short-circuits can exceed the power dissipation ratings and cause eventual destruction. Destructive dissipation can result from simultaneous shorts on all amplifiers.

Note 6: This input current will only exist when the voltage at any of the input leads is driven negative. It is due to the collector-base junction of the input PNP transistors becoming forward biased and thereby acting as input diode clamps. In addition to this diode action, there is also lateral NPN parasitic transistor action

Electrical Characteristics (Continued)

on the IC chip. This transistor action can cause the output voltages of the op amps to go to the V^+ voltage level (or to ground for a large overdrive) for the time duration that an input is driven negative. This is not destructive and normal output states will re-establish when the input voltage, which was negative, again returns to a value greater than $-0.3V$ (at $25^\circ C$).

Note 7: These specifications are limited to $-55^\circ C \leq T_A \leq +125^\circ C$ for the LM124/LM124A. With the LM224/LM224A, all temperature specifications are limited to $-25^\circ C \leq T_A \leq +85^\circ C$, the LM324/LM324A temperature specifications are limited to $0^\circ C \leq T_A \leq +70^\circ C$, and the LM2902 specifications are limited to $-40^\circ C \leq T_A \leq +85^\circ C$.

Note 8: $V_O = 1.4V$, $R_S = 0\Omega$ with V^+ from 5V to 30V; and over the full input common-mode range (0V to $V^+ - 1.5V$) for LM2902, V^+ from 5V to 26V.

Note 9: The direction of the input current is out of the IC due to the PNP input stage. This current is essentially constant, independent of the state of the output so no loading change exists on the input lines.

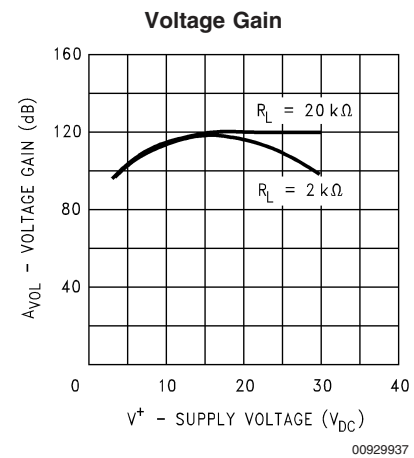
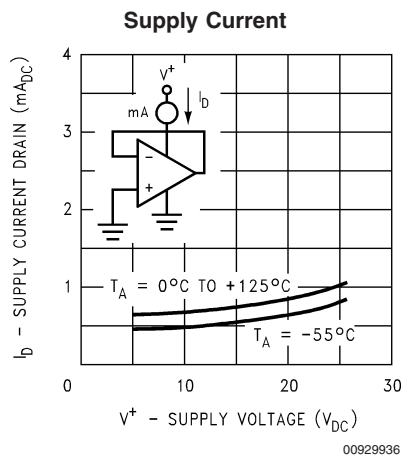
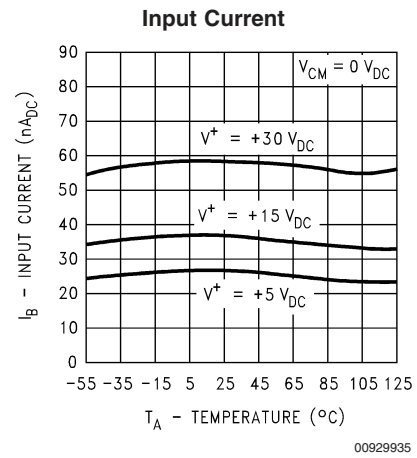
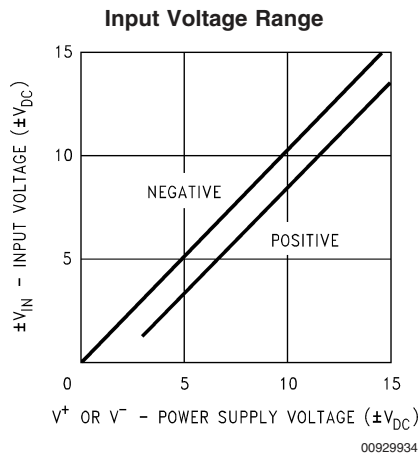
Note 10: The input common-mode voltage of either input signal voltage should not be allowed to go negative by more than 0.3V (at $25^\circ C$). The upper end of the common-mode voltage range is $V^+ - 1.5V$ (at $25^\circ C$), but either or both inputs can go to +32V without damage (+26V for LM2902), independent of the magnitude of V^+ .

Note 11: Due to proximity of external components, insure that coupling is not originating via stray capacitance between these external parts. This typically can be detected as this type of capacitance increases at higher frequencies.

Note 12: Refer to RETS124AX for LM124A military specifications and refer to RETS124X for LM124 military specifications.

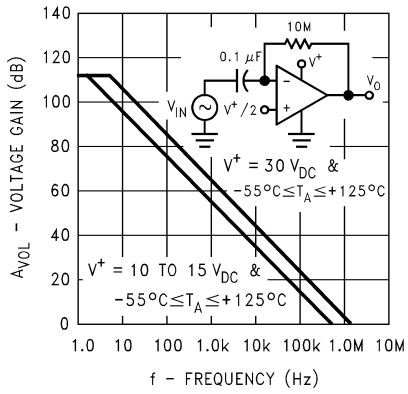
Note 13: Human body model, 1.5 k Ω in series with 100 pF.

Typical Performance Characteristics

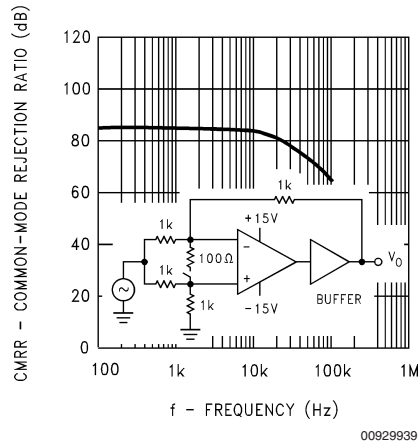


Typical Performance Characteristics (Continued)

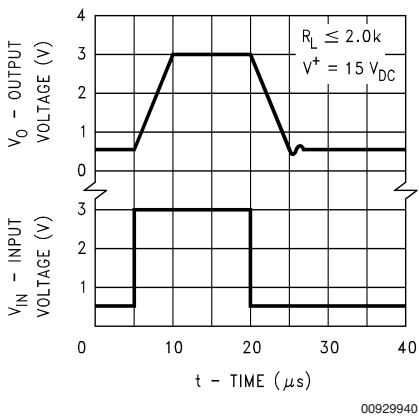
Open Loop Frequency Response



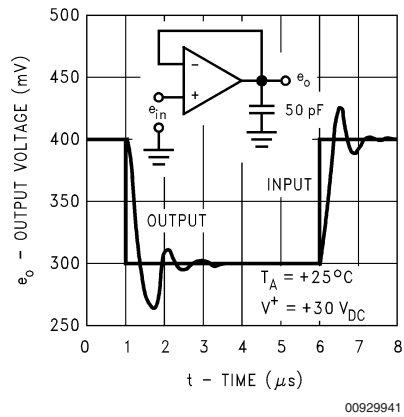
Common Mode Rejection Ratio



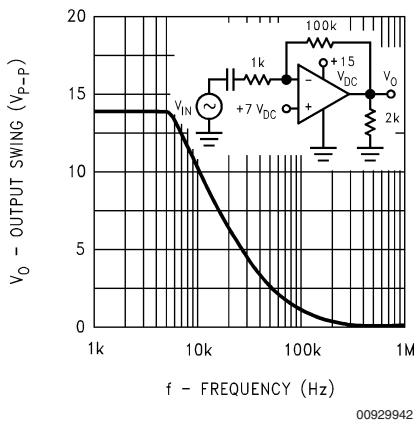
Voltage Follower Pulse Response



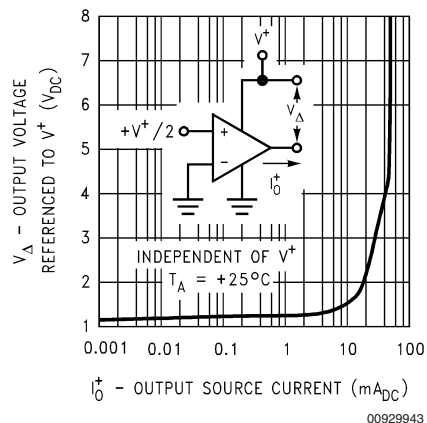
Voltage Follower Pulse Response (Small Signal)



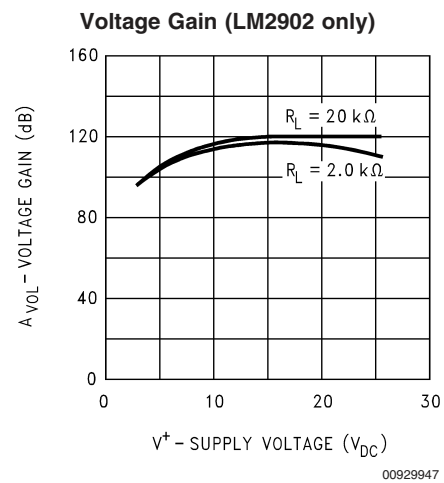
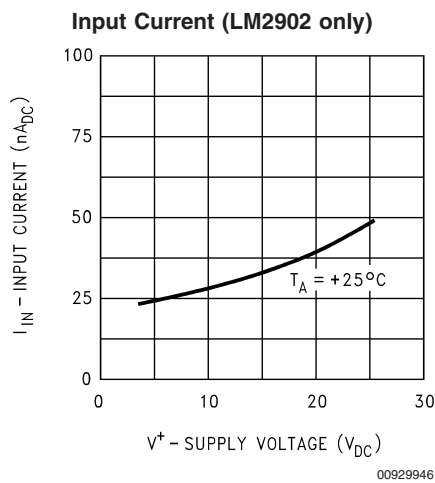
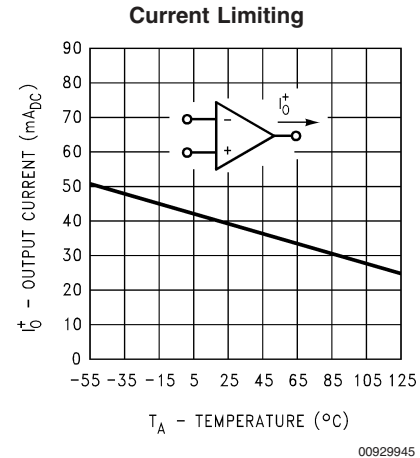
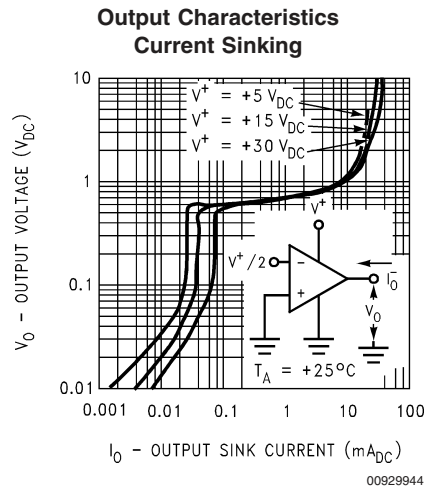
Large Signal Frequency Response



Output Characteristics Current Sourcing



Typical Performance Characteristics (Continued)



Application Hints

The LM124 series are op amps which operate with only a single power supply voltage, have true-differential inputs, and remain in the linear mode with an input common-mode voltage of $0 V_{DC}$. These amplifiers operate over a wide range of power supply voltage with little change in performance characteristics. At $25^\circ C$ amplifier operation is possible down to a minimum supply voltage of $2.3 V_{DC}$.

The pinouts of the package have been designed to simplify PC board layouts. Inverting inputs are adjacent to outputs for all of the amplifiers and the outputs have also been placed at the corners of the package (pins 1, 7, 8, and 14).

Precautions should be taken to insure that the power supply for the integrated circuit never becomes reversed in polarity or that the unit is not inadvertently installed backwards in a test socket as an unlimited current surge through the resulting forward diode within the IC could cause fusing of the internal conductors and result in a destroyed unit.

Large differential input voltages can be easily accommodated and, as input differential voltage protection diodes are not needed, no large input currents result from large differential input voltages. The differential input voltage may be larger than V^+ without damaging the device. Protection

should be provided to prevent the input voltages from going negative more than $-0.3 V_{DC}$ (at $25^\circ C$). An input clamp diode with a resistor to the IC input terminal can be used.

To reduce the power supply drain, the amplifiers have a class A output stage for small signal levels which converts to class B in a large signal mode. This allows the amplifiers to both source and sink large output currents. Therefore both NPN and PNP external current boost transistors can be used to extend the power capability of the basic amplifiers. The output voltage needs to raise approximately 1 diode drop above ground to bias the on-chip vertical PNP transistor for output current sinking applications.

For ac applications, where the load is capacitively coupled to the output of the amplifier, a resistor should be used, from the output of the amplifier to ground to increase the class A bias current and prevent crossover distortion.

Where the load is directly coupled, as in dc applications, there is no crossover distortion.

Capacitive loads which are applied directly to the output of the amplifier reduce the loop stability margin. Values of $50 pF$ can be accommodated using the worst-case non-inverting unity gain connection. Large closed loop gains or resistive isolation should be used if larger load capacitance must be driven by the amplifier.

Application Hints (Continued)

The bias network of the LM124 establishes a drain current which is independent of the magnitude of the power supply voltage over the range of from $3 V_{DC}$ to $30 V_{DC}$.

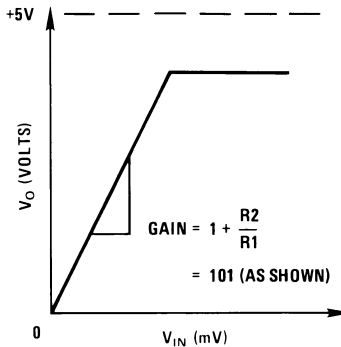
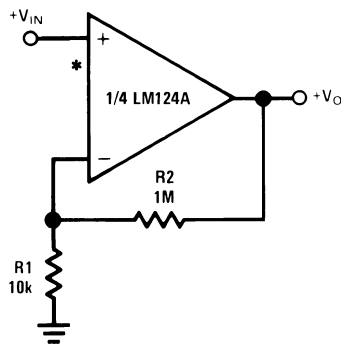
Output short circuits either to ground or to the positive power supply should be of short time duration. Units can be destroyed, not as a result of the short circuit current causing metal fusing, but rather due to the large increase in IC chip dissipation which will cause eventual failure due to excessive junction temperatures. Putting direct short-circuits on more than one amplifier at a time will increase the total IC power dissipation to destructive levels, if not properly protected with external dissipation limiting resistors in series with the output leads of the amplifiers. The larger value of

output source current which is available at 25°C provides a larger output current capability at elevated temperatures (see typical performance characteristics) than a standard IC op amp.

The circuits presented in the section on typical applications emphasize operation on only a single power supply voltage. If complementary power supplies are available, all of the standard op amp circuits can be used. In general, introducing a pseudo-ground (a bias voltage reference of $V^+/2$) will allow operation above and below this value in single power supply systems. Many application circuits are shown which take advantage of the wide input common-mode voltage range which includes ground. In most cases, input biasing is not required and input voltages which range to ground can easily be accommodated.

Typical Single-Supply Applications $(V^+ = 5.0 V_{DC})$

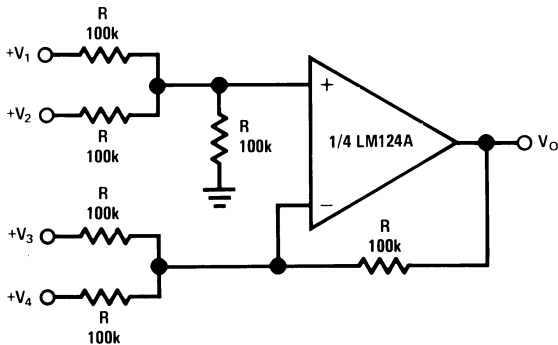
Non-Inverting DC Gain (0V Input = 0V Output)



00929905

*R not needed due to temperature independent I_{IN}

DC Summing Amplifier
 $(V_{IN'S} \geq 0 V_{DC} \text{ and } V_O \geq V_{DC})$

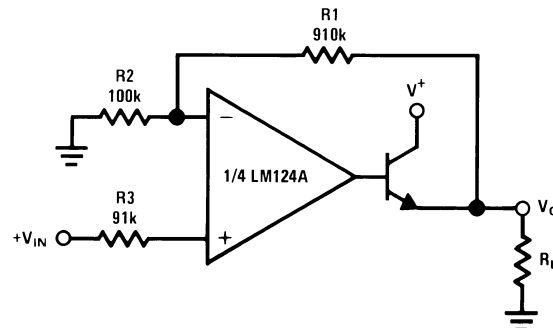


00929906

Where: $V_O = V_1 + V_2 - V_3 - V_4$

$(V_1 + V_2) \geq (V_3 + V_4)$ to keep $V_O > 0 V_{DC}$

Power Amplifier



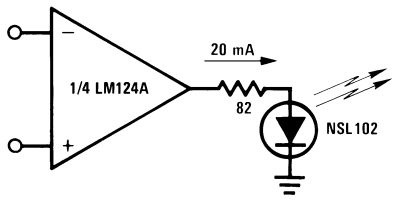
00929907

$V_O = 0 V_{DC}$ for $V_{IN} = 0 V_{DC}$

$A_V = 10$

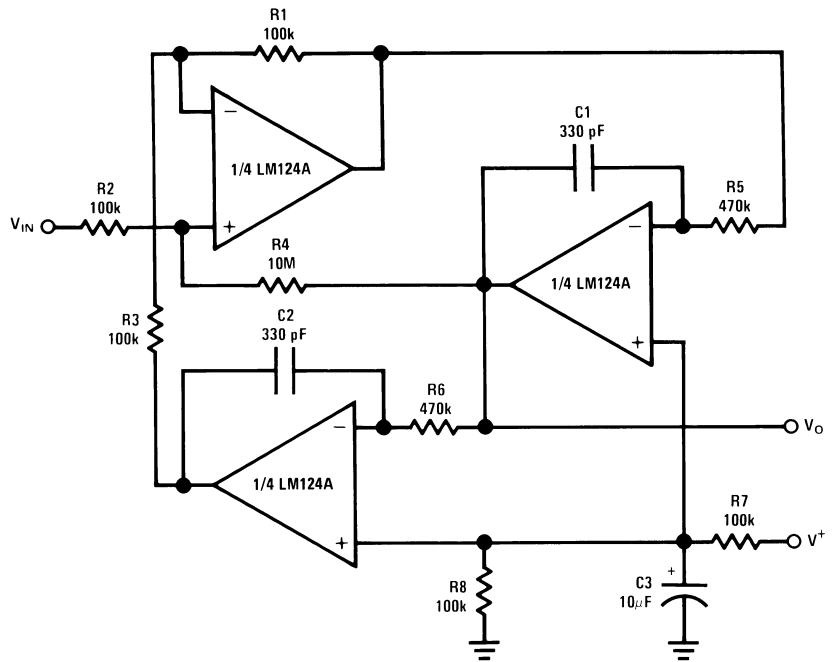
Typical Single-Supply Applications ($V^+ = 5.0 V_{DC}$) (Continued)

LED Driver



00929908

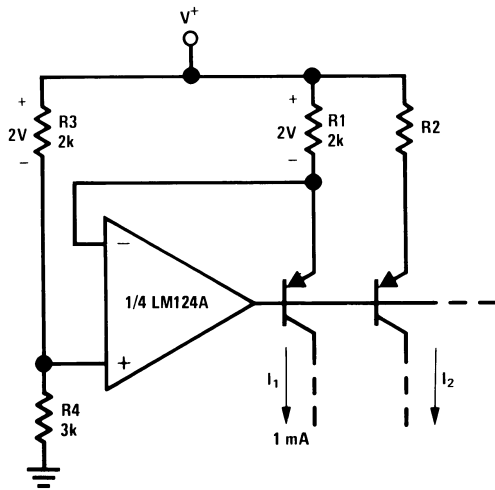
“BI-QUAD” RC Active Bandpass Filter



00929909

$f_o = 1 \text{ kHz}$
 $Q = 50$
 $A_V = 100 \text{ (40 dB)}$

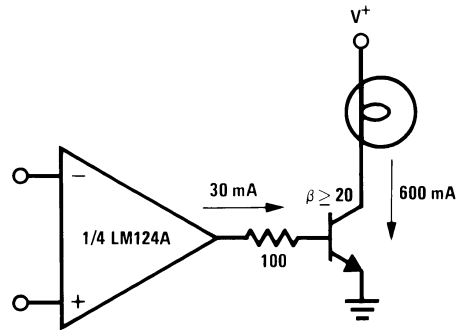
Fixed Current Sources



00929910

$$I_2 = \left(\frac{R_1}{R_2} \right) I_1$$

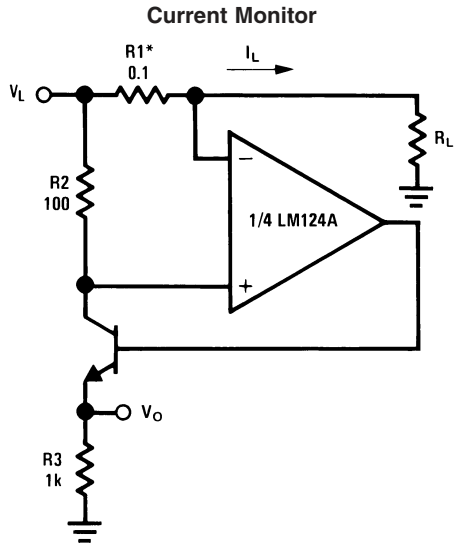
Lamp Driver



00929911

Typical Single-Supply Applications

($V^+ = 5.0 V_{DC}$) (Continued)

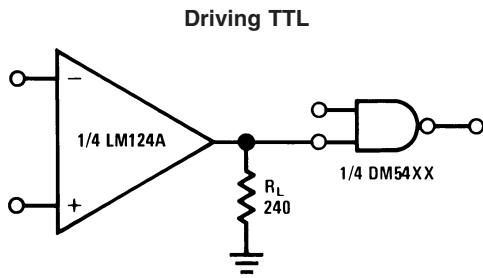


00929912

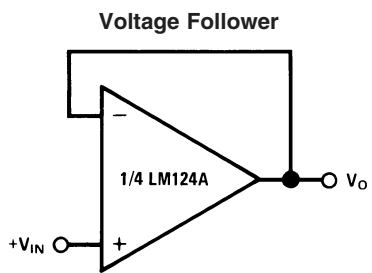
$$V_O = \frac{1V(I_L)}{1A}$$

$$V_L \leq V^+ - 2V$$

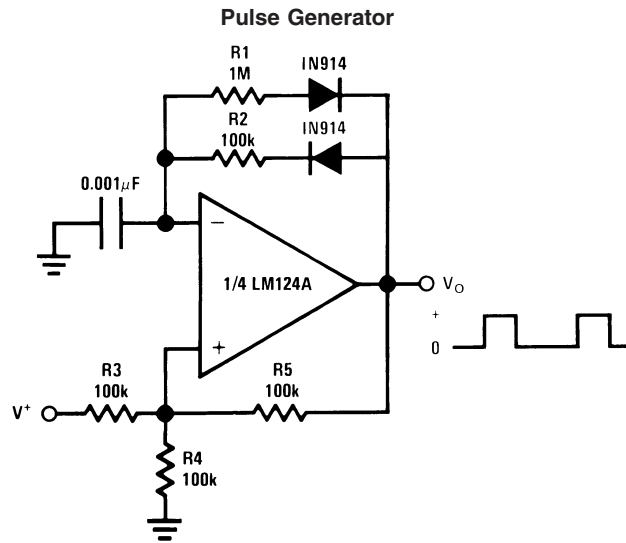
*(Increase R1 for I_L small)



00929913

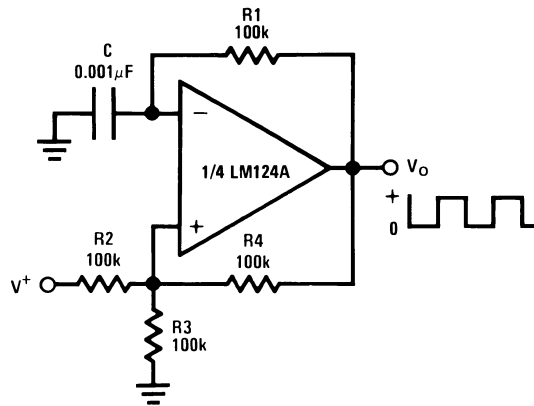


00929914



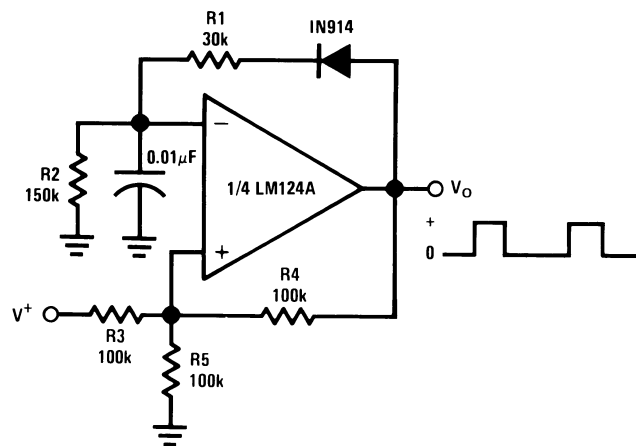
00929915

Squarewave Oscillator



00929916

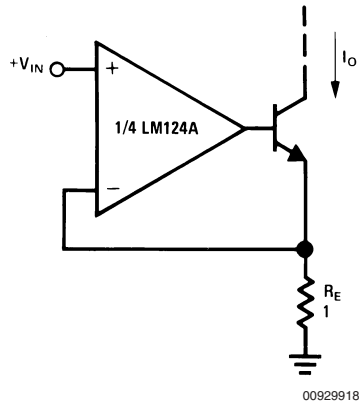
Pulse Generator



00929917

Typical Single-Supply Applications ($V^+ = 5.0 V_{DC}$) (Continued)

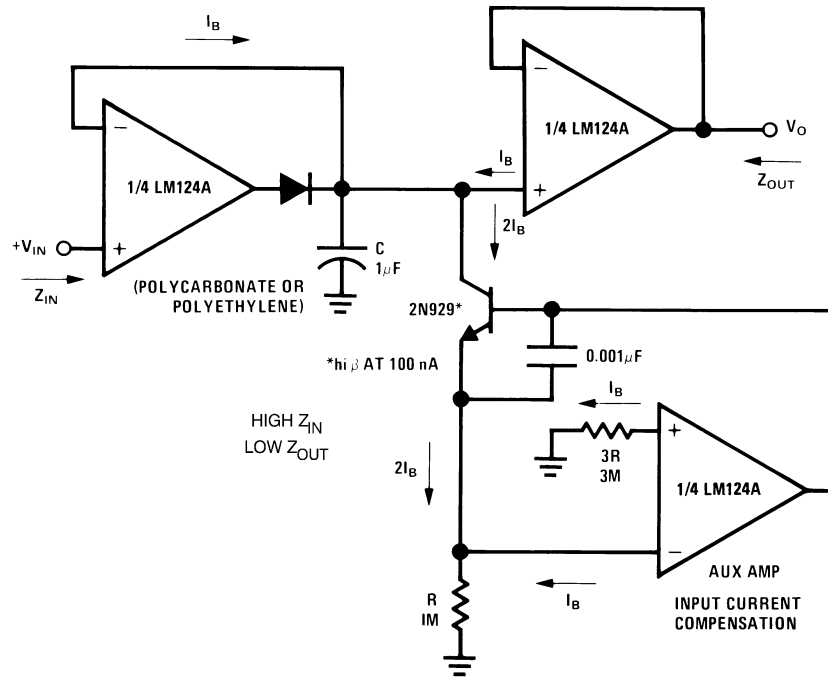
High Compliance Current Sink



00929918

$I_o = 1 \text{ amp/volt } V_{IN}$
 (Increase R_E for I_o small)

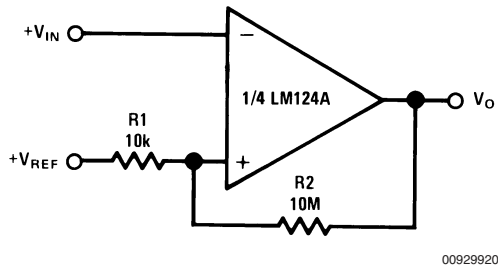
Low Drift Peak Detector



00929919

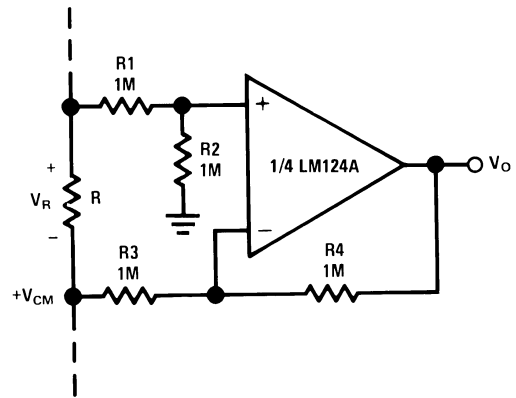
Typical Single-Supply Applications $(V^+ = 5.0 V_{DC})$ (Continued)

Comparator with Hysteresis



00929920

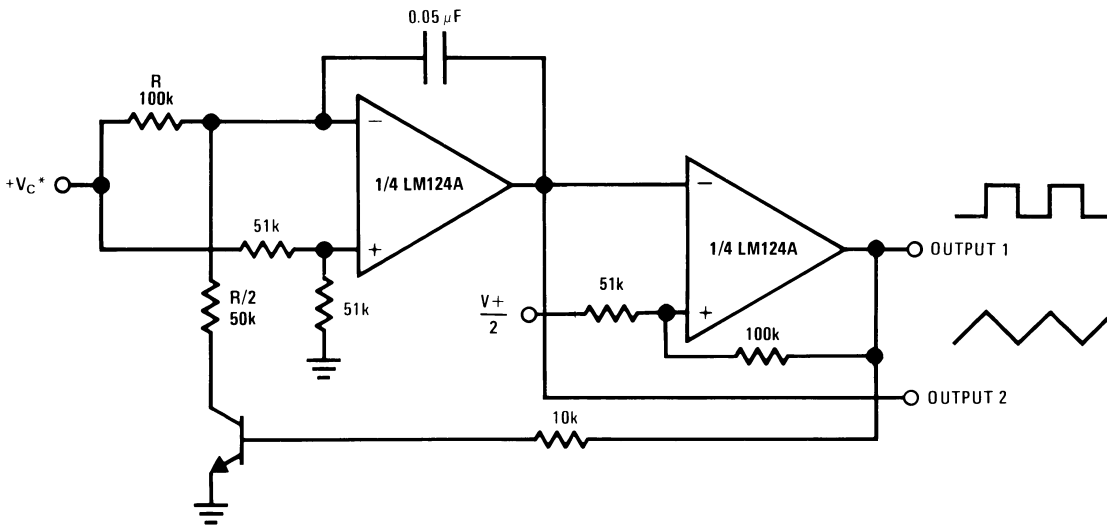
Ground Referencing a Differential Input Signal



$V_O = V_R$

00929921

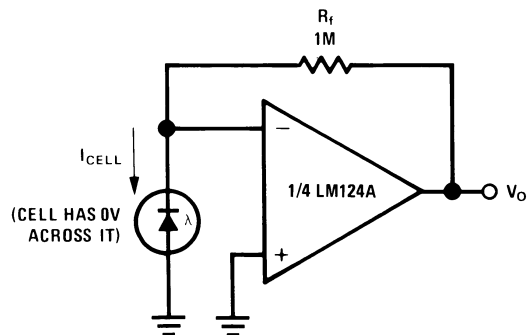
Voltage Controlled Oscillator Circuit



00929922

*Wide control voltage range: $0 V_{DC} \leq V_C \leq 2 (V^+ - 1.5 V_{DC})$

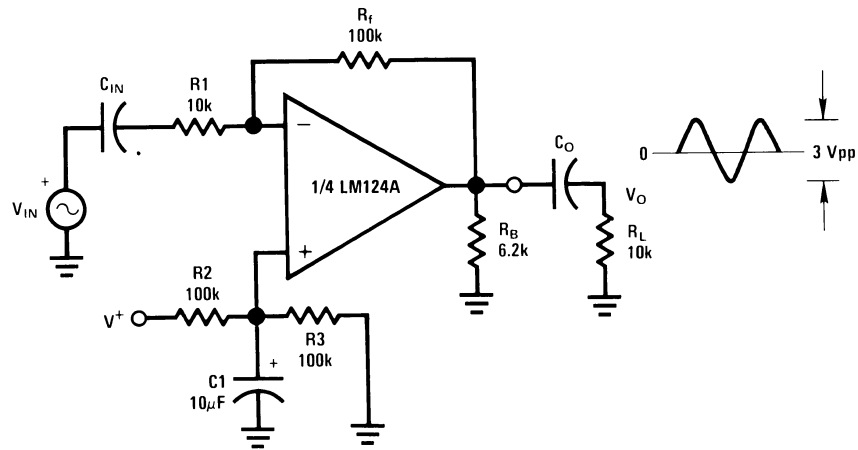
Photo Voltaic-Cell Amplifier



00929923

Typical Single-Supply Applications ($V^+ = 5.0 V_{DC}$) (Continued)

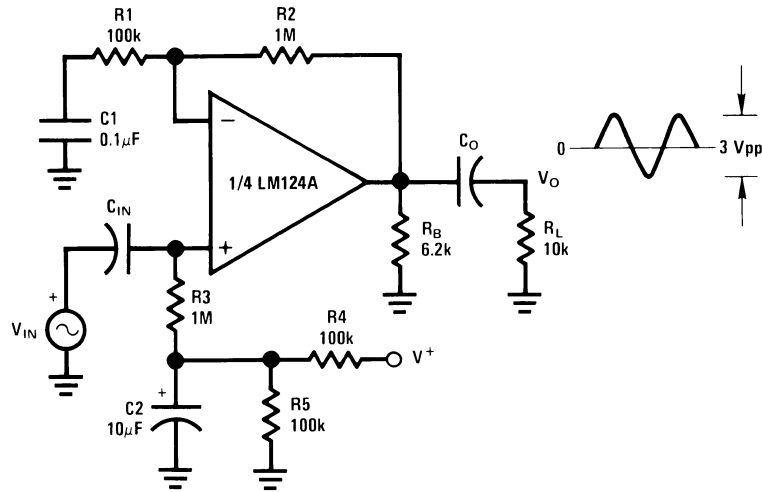
AC Coupled Inverting Amplifier



00929924

$$A_V = \frac{R_f}{R_1} \text{ (As shown, } A_V = 10 \text{)}$$

AC Coupled Non-Inverting Amplifier



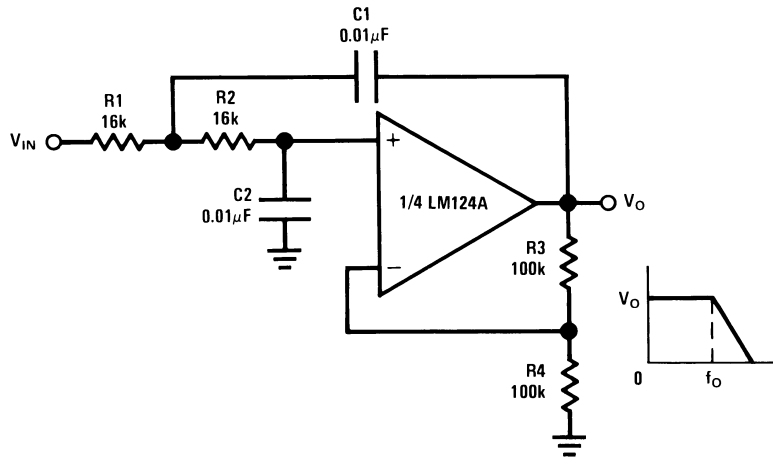
00929925

$$A_V = 1 + \frac{R_2}{R_1}$$

$$A_V = 11 \text{ (As shown)}$$

Typical Single-Supply Applications ($V^+ = 5.0 V_{DC}$) (Continued)

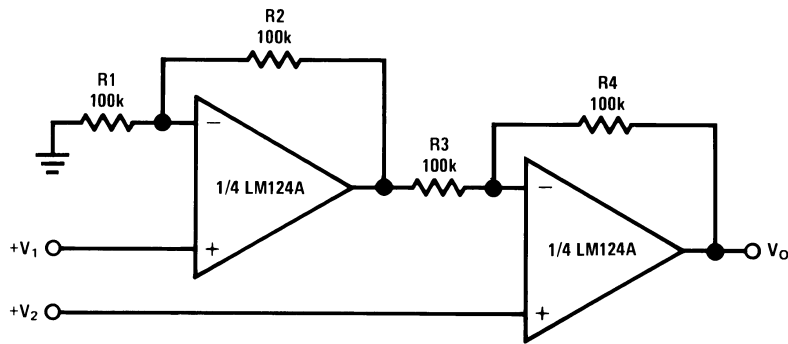
DC Coupled Low-Pass RC Active Filter



00929926

$f_0 = 1 \text{ kHz}$
 $Q = 1$
 $A_V = 2$

High Input Z, DC Differential Amplifier



00929927

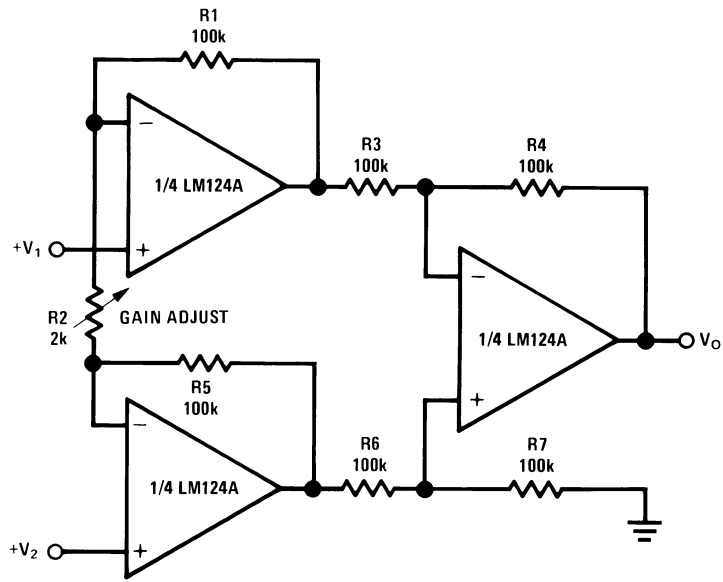
For $\frac{R1}{R2} = \frac{R4}{R3}$ (CMRR depends on this resistor ratio match)

$V_O = 1 + \frac{R4}{R3} (V_2 - V_1)$

As shown: $V_O = 2(V_2 - V_1)$

Typical Single-Supply Applications ($V^+ = 5.0 V_{DC}$) (Continued)

High Input Z Adjustable-Gain DC Instrumentation Amplifier



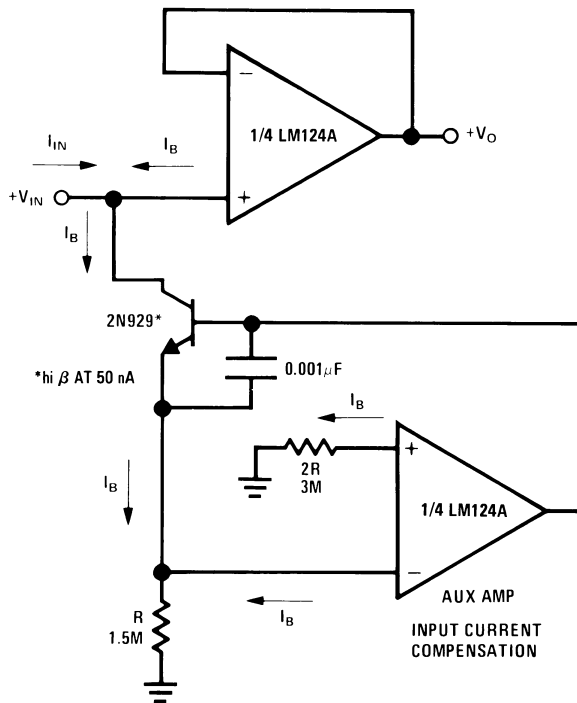
00929928

If $R1 = R5$ & $R3 = R4 = R6 = R7$ (CMRR depends on match)

$$V_O = 1 + \frac{2R1}{R2} (V_2 - V_1)$$

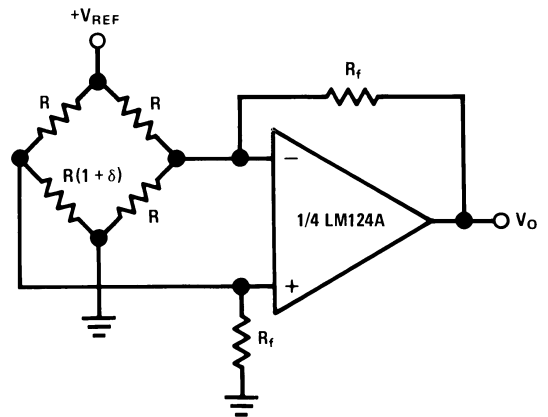
As shown $V_O = 101 (V_2 - V_1)$

Using Symmetrical Amplifiers to Reduce Input Current (General Concept)



00929929

Bridge Current Amplifier



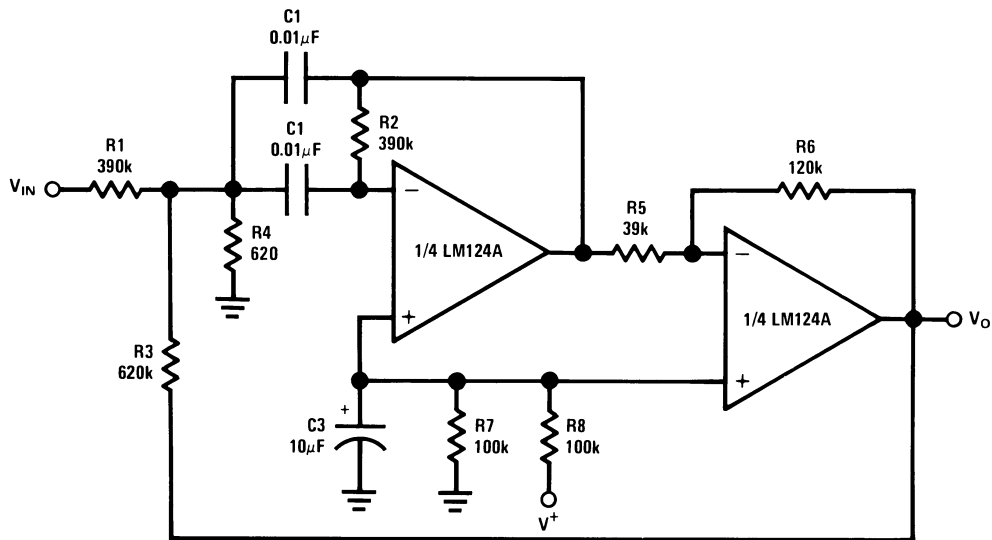
00929930

For $\delta \ll 1$ and $R_f \gg R$

$$V_O \approx V_{REF} \left(\frac{\delta}{2} \right) \frac{R_f}{R}$$

Typical Single-Supply Applications ($V^+ = 5.0 V_{DC}$) (Continued)

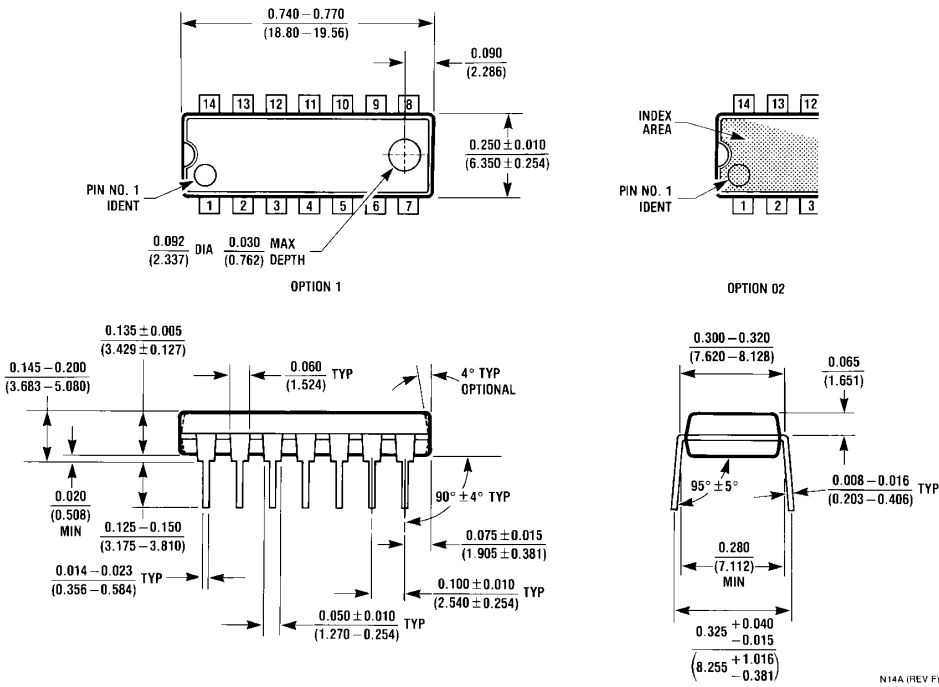
Bandpass Active Filter



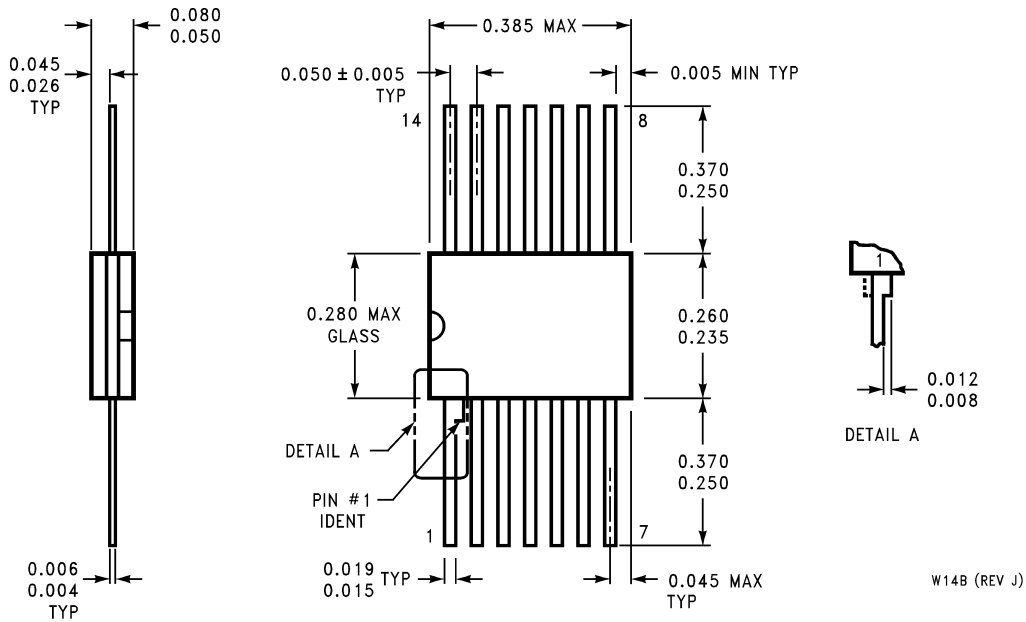
00929931

$f_0 = 1 \text{ kHz}$
 $Q = 25$

Physical Dimensions inches (millimeters) unless otherwise noted (Continued)

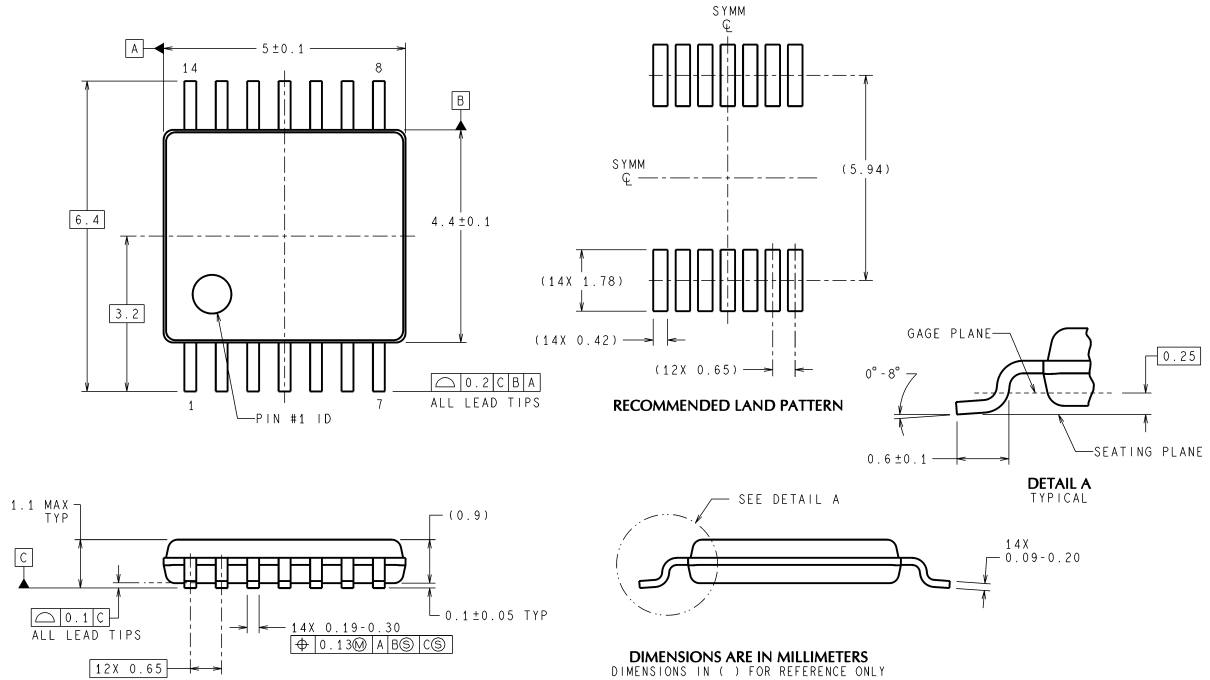


Molded Dual-In-Line Package (N)
Order Number LM324N, LM324AN or LM2902N
NS Package Number N14A



Ceramic Flatpak Package
Order Number JL124ABDA, JL124ABZA, JL124ASDA, JL124BDA, JL124BZA,
JL124SDA, LM124AW/883, LM124AWG/883, LM124W/883 or LM124WG/883
NS Package Number W14B

Physical Dimensions inches (millimeters) unless otherwise noted (Continued)



14-Pin TSSOP
Order Number LM324MT or LM324MTX
NS Package Number MTC14

MTC14 (Rev D)

LIFE SUPPORT POLICY

NATIONAL'S PRODUCTS ARE NOT AUTHORIZED FOR USE AS CRITICAL COMPONENTS IN LIFE SUPPORT DEVICES OR SYSTEMS WITHOUT THE EXPRESS WRITTEN APPROVAL OF THE PRESIDENT AND GENERAL COUNSEL OF NATIONAL SEMICONDUCTOR CORPORATION. As used herein:

1. Life support devices or systems are devices or systems which, (a) are intended for surgical implant into the body, or (b) support or sustain life, and whose failure to perform when properly used in accordance with instructions for use provided in the labeling, can be reasonably expected to result in a significant injury to the user.
2. A critical component is any component of a life support device or system whose failure to perform can be reasonably expected to cause the failure of the life support device or system, or to affect its safety or effectiveness.

BANNED SUBSTANCE COMPLIANCE

National Semiconductor certifies that the products and packing materials meet the provisions of the Customer Products Stewardship Specification (CSP-9-111C2) and the Banned Substances and Materials of Interest Specification (CSP-9-111S2) and contain no "Banned Substances" as defined in CSP-9-111S2.

National Semiconductor
Americas Customer Support Center
 Email: new.feedback@nsc.com
 Tel: 1-800-272-9959

National Semiconductor
Europe Customer Support Center
 Fax: +49 (0) 180-530 85 86
 Email: europe.support@nsc.com
 Deutsch Tel: +49 (0) 69 9508 6208
 English Tel: +44 (0) 870 24 0 2171
 Français Tel: +33 (0) 1 41 91 8790

National Semiconductor
Asia Pacific Customer Support Center
 Email: ap.support@nsc.com

National Semiconductor
Japan Customer Support Center
 Fax: 81-3-5639-7507
 Email: jpn.feedback@nsc.com
 Tel: 81-3-5639-7560

www.national.com

IMPORTANT NOTICE

Texas Instruments Incorporated and its subsidiaries (TI) reserve the right to make corrections, modifications, enhancements, improvements, and other changes to its products and services at any time and to discontinue any product or service without notice. Customers should obtain the latest relevant information before placing orders and should verify that such information is current and complete. All products are sold subject to TI's terms and conditions of sale supplied at the time of order acknowledgment.

TI warrants performance of its hardware products to the specifications applicable at the time of sale in accordance with TI's standard warranty. Testing and other quality control techniques are used to the extent TI deems necessary to support this warranty. Except where mandated by government requirements, testing of all parameters of each product is not necessarily performed.

TI assumes no liability for applications assistance or customer product design. Customers are responsible for their products and applications using TI components. To minimize the risks associated with customer products and applications, customers should provide adequate design and operating safeguards.

TI does not warrant or represent that any license, either express or implied, is granted under any TI patent right, copyright, mask work right, or other TI intellectual property right relating to any combination, machine, or process in which TI products or services are used. Information published by TI regarding third-party products or services does not constitute a license from TI to use such products or services or a warranty or endorsement thereof. Use of such information may require a license from a third party under the patents or other intellectual property of the third party, or a license from TI under the patents or other intellectual property of TI.

Reproduction of TI information in TI data books or data sheets is permissible only if reproduction is without alteration and is accompanied by all associated warranties, conditions, limitations, and notices. Reproduction of this information with alteration is an unfair and deceptive business practice. TI is not responsible or liable for such altered documentation. Information of third parties may be subject to additional restrictions.

Resale of TI products or services with statements different from or beyond the parameters stated by TI for that product or service voids all express and any implied warranties for the associated TI product or service and is an unfair and deceptive business practice. TI is not responsible or liable for any such statements.

TI products are not authorized for use in safety-critical applications (such as life support) where a failure of the TI product would reasonably be expected to cause severe personal injury or death, unless officers of the parties have executed an agreement specifically governing such use. Buyers represent that they have all necessary expertise in the safety and regulatory ramifications of their applications, and acknowledge and agree that they are solely responsible for all legal, regulatory and safety-related requirements concerning their products and any use of TI products in such safety-critical applications, notwithstanding any applications-related information or support that may be provided by TI. Further, Buyers must fully indemnify TI and its representatives against any damages arising out of the use of TI products in such safety-critical applications.

TI products are neither designed nor intended for use in military/aerospace applications or environments unless the TI products are specifically designated by TI as military-grade or "enhanced plastic." Only products designated by TI as military-grade meet military specifications. Buyers acknowledge and agree that any such use of TI products which TI has not designated as military-grade is solely at the Buyer's risk, and that they are solely responsible for compliance with all legal and regulatory requirements in connection with such use.

TI products are neither designed nor intended for use in automotive applications or environments unless the specific TI products are designated by TI as compliant with ISO/TS 16949 requirements. Buyers acknowledge and agree that, if they use any non-designated products in automotive applications, TI will not be responsible for any failure to meet such requirements.

Following are URLs where you can obtain information on other Texas Instruments products and application solutions:

Products

Audio	www.ti.com/audio
Amplifiers	amplifier.ti.com
Data Converters	dataconverter.ti.com
DLP® Products	www.dlp.com
DSP	dsp.ti.com
Clocks and Timers	www.ti.com/clocks
Interface	interface.ti.com
Logic	logic.ti.com
Power Mgmt	power.ti.com
Microcontrollers	microcontroller.ti.com
RFID	www.ti-rfid.com
OMAP Mobile Processors	www.ti.com/omap
Wireless Connectivity	www.ti.com/wirelessconnectivity

Applications

Communications and Telecom	www.ti.com/communications
Computers and Peripherals	www.ti.com/computers
Consumer Electronics	www.ti.com/consumer-apps
Energy and Lighting	www.ti.com/energy
Industrial	www.ti.com/industrial
Medical	www.ti.com/medical
Security	www.ti.com/security
Space, Avionics and Defense	www.ti.com/space-avionics-defense
Transportation and Automotive	www.ti.com/automotive
Video and Imaging	www.ti.com/video

TI E2E Community Home Page

e2e.ti.com

Mailing Address: Texas Instruments, Post Office Box 655303, Dallas, Texas 75265
Copyright © 2011, Texas Instruments Incorporated