

A

B

C

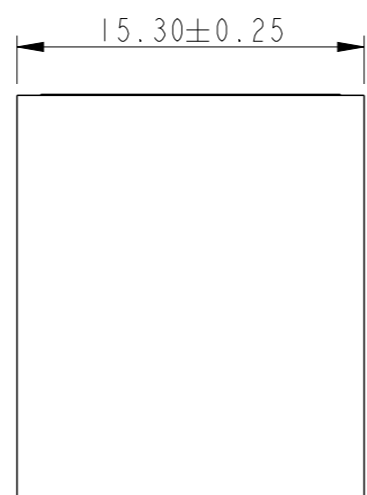
D

A

B

C

D

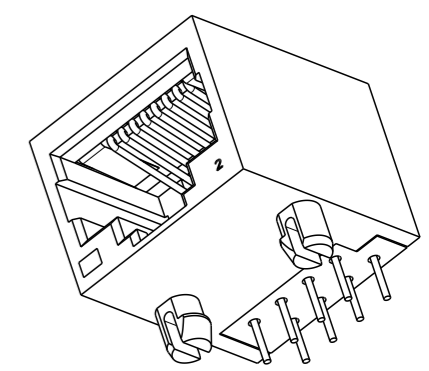


PRODUCT NO. 54602 - X08 LF

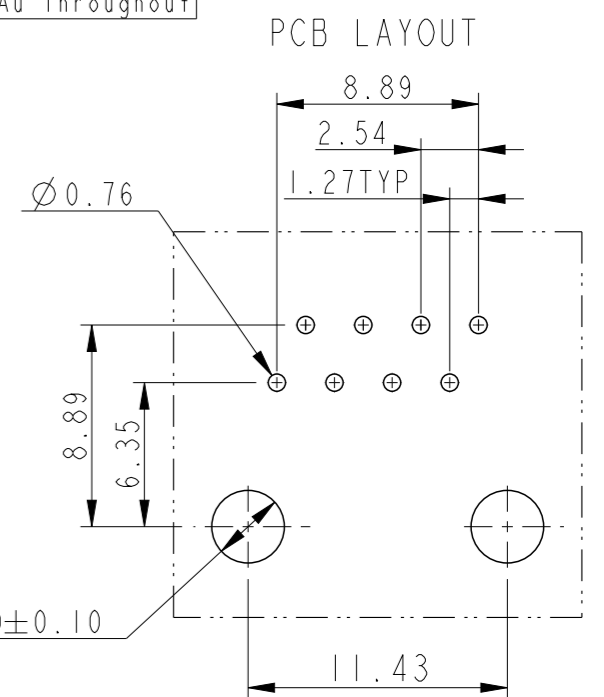
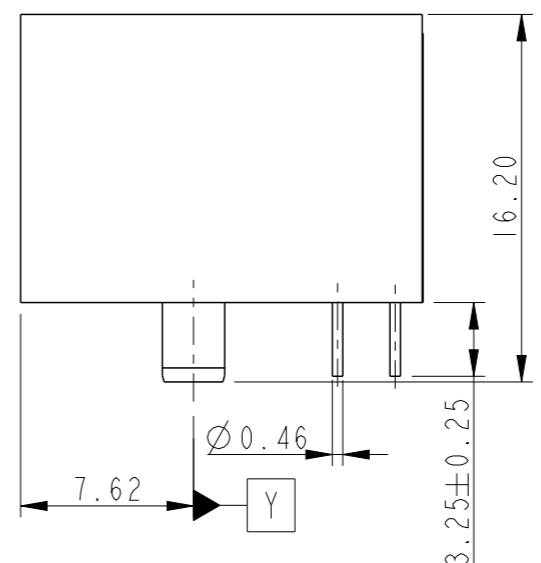
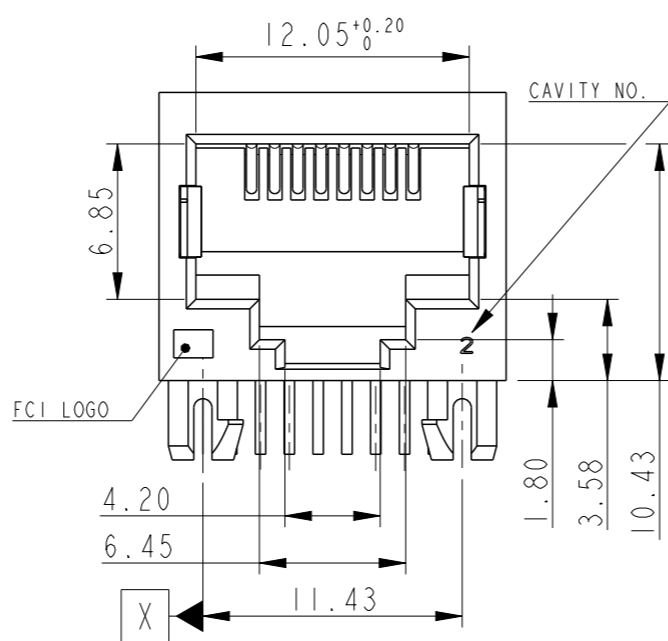
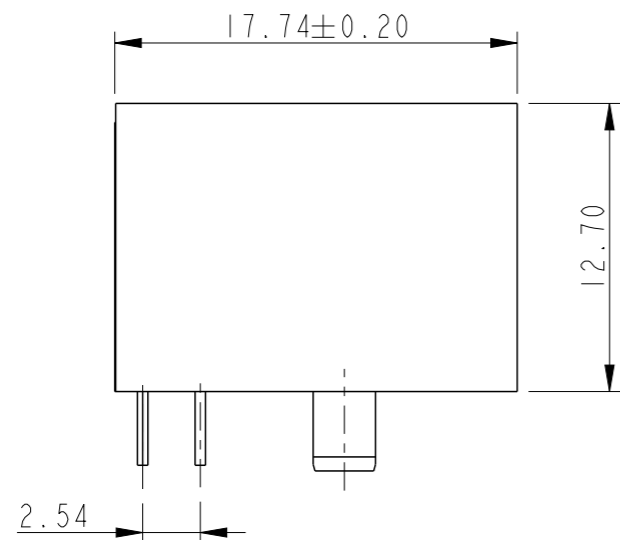
SHALLOW LATCH SERIES

LEAD FREE

| PLATING CODE | |
|--------------|---------------------|
| 2 | 0.076μ Au Selective |
| 6 | 0.76μ Au Selective |
| 7 | Au Flash Selective |
| 8 | 1.27μ Au Selective |
| 9 | 0.38μ Au Selective |
| 9F | 0.38μ Au Throughput |



SCALE 2:1



TECHNICAL SPECIFICATION:

Insulation Resistance - 500 M Ohms min.
 Dielectric Strength - 1000 V rms , 60 Hz.
 Contact Resistance - 20 mOhms. max.
 Current Rating - 1.5 amp DC
 Maximum Total Mating Force - 35 N
 Retention Force Between Plug & Jack-22.5 N min.
 Durability - 250 Cycles Min. except Plating Code 2 & 7
 Temperature Range -40/+70°C

MATERIAL

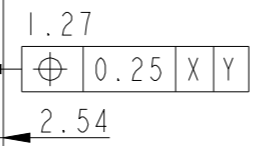
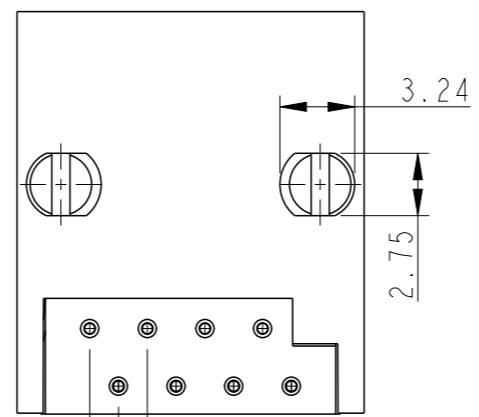
-Housing: Glassfilled Polyester-UL94 V0 BLACK

The housing will withstand exposure to 260-265°C for 5 seconds in a wavesoldering application. Use protective adhesive tape (Kapton or Teflon) or protective metallic devices on the areas which are directly exposed to wave soldering as it is used in classical leaded wave soldering.

-Contact: Ø0.46mm Copper Alloy

Plating:

Active zone: Gold over nickel on contact area
 Termination zone : Matte Tin over nickel (Lead Free version)



NOTES:

1. ALL WIRES MUST BE CONTAINED IN THE SHELF.

1.LF Products meet European Union Directives and other country Regulations as described in GS-22-008.
 2.The Housing will withstand exposure to 260° peak temperature for 5 sec in a wave solder application with a 1.6mm Min thick circuit board. Slight deformation of snap pegs may occur at 260-265°c which will not affect the function of the product.
 3.Lead Free or ROHS Directive labelling to be provided as per GS-14-920 for Lead Free version.



Copyright FCI.

| rev | ecn no | dr | date |
|-----|----------|-----|------------|
| D | 106-0123 | HVN | 2006-07-21 |
| E | 107-0039 | HVN | 2007-03-16 |
| F | 107-0122 | HVN | 2007-09-19 |
| G | 109-0174 | NPM | 2009-08-24 |
| H | 110-0037 | NPM | 2010-02-02 |
| - | - | - | - |
| - | - | - | - |

| | | | | | |
|--------------------|-----------|---------------------------------------|----------------|-------------------|--------------|
| www.fciconnect.com | | surface - ✓ | tolerance std | projection | mm |
| | | TOLERANCES UNLESS OTHERWISE SPECIFIED | | ⊕ - ⊖ | ↔ |
| Dr | MINI KV | 2003-04-11 | ANGULAR | 0.X | ±0.3 |
| Eng | HIRAN V. | 2003-04-11 | LINEAR | 0.XX | ±0.15 |
| Chr | NEBU PM | 2010-02-02 | 0° ±1° | 0.XXX | ±0.05 |
| Appr | SUDHIR V. | 2010-02-02 | Product family | MODJACK | Spec ref |
| FCI | | 8 POL SHALLOW LATCH CONNECTOR | | dwg no C-BMJ-0102 | |
| | | (PCB MODJACK) | | Rev. H | |
| | | catalog no | 54602 | CUSTOMER COPY | sheet 1 of 1 |