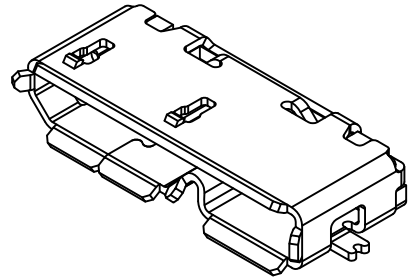
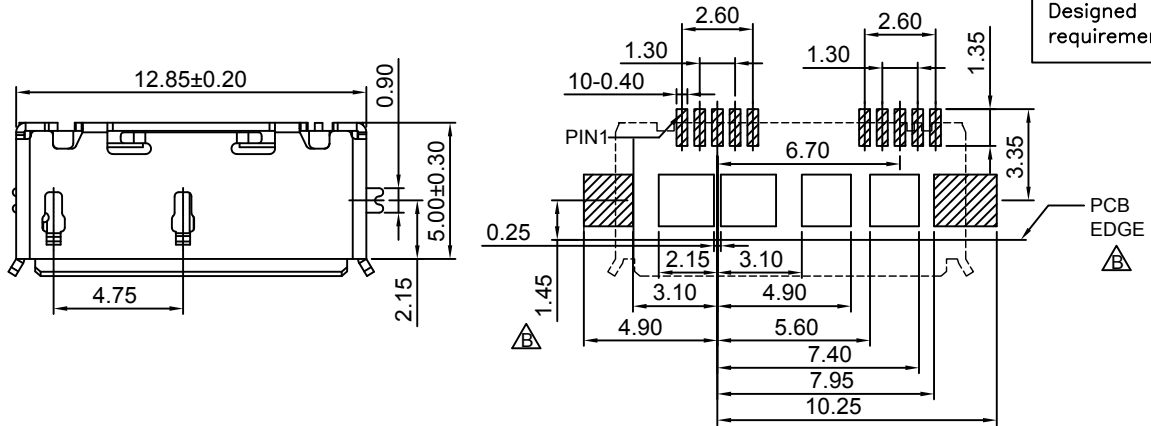
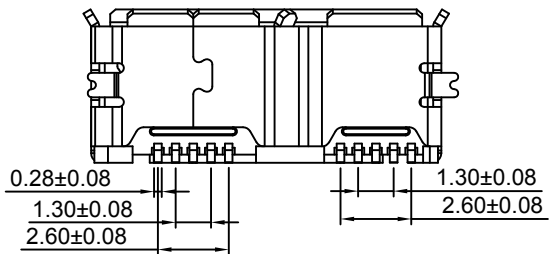
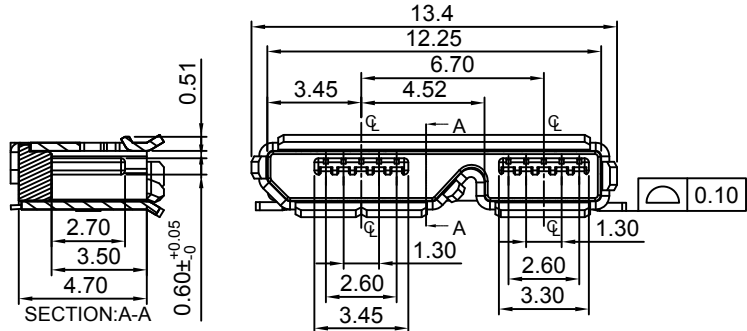
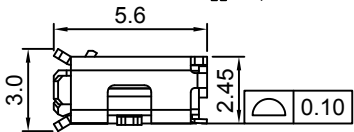


Designed to comply with physical, electrical and environmental requirements of micro USB Standard Compliance (USB3.0).



RECOMMENDED P.C.B LAYOUT AS VIEWED FROM COMPONENT SIDE

▨ Solder Area
▭ Component Outline



Specifications 规格:

Materials 材料:

- Plastic Housing 塑胶外壳: LCP, UL94V-0, Black, LCP, UL94V-0 黑色
- Contact Terminal 接触端子: Copper Alloy 铜合金
- Metallic Shell 金属外壳: Stainless Steel 不锈钢

Finish 表面处理:

- Underplating 底层电镀: Nickel
- Plating 电镀:

- Contact Area 接触面积: 30μ" Gold
- Solder Tails 焊接末端: Gold Flash
- Metallic Shell 金属外壳: Tin

Electrical 电气规格:

- Voltage Rating 电压额定值: 30 V AC
- Current Rating 电流额定值: 1.5A AC/DC
- Operating Temperature 工作温度: -20°C to +60°C
- Contact Resistance 接触电阻值: 30mΩ Max.
- Insulating Resistance 绝缘电阻值: 1000MΩ Min.
- Dielectric Withstand Voltage 耐电压: 750V AC/Minute

Mechanical 机械性规格:

- Mating Force 插入力: 35N Max.
- Unmating Force 拔出力: 10N Min.
- Durability 耐久性: 10000

Ordering Grid

USB3115-30-A

REQUEST SAMPLES AND QUOTATION

Contact Plating
30 = 30μ" Gold

Packing Options
A = Tape & Reel
(1.5K per Reel)

By	ASE	ASE	ASE
DETAIL	DRAWING RELEASE	ADDED PCB EDGE	PCN:- μUSB3.0-001
REV DATE	A 16/05/11	B 13/09/11	C 01/02/12



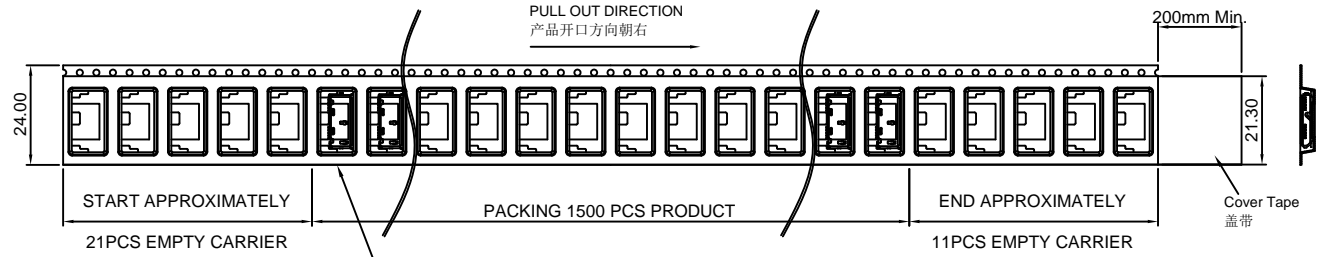
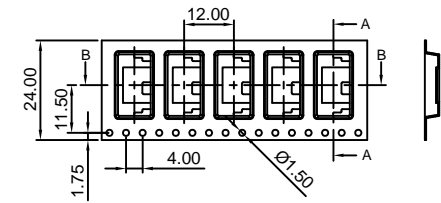
Tolerances (Except as noted)	Part Number:-	Date:-
Dimensions in mm	USB3115	16 MAY 11
X.X ± 0.3 X.XX ± 0.2 X.XXX ± 0.1	Description:-	
X.X* ± 2° X.XX* ± 1° X.XXX* ± 0.5°	USB 3.0 MICRO RECEPTACLE, TYPE B, SMT, HORIZONTAL, 10 PIN, BOTTOM MOUNT, W/SMT HOLDOWN PADS	
Third Angle Projection	© THIS DRAWING IS CONFIDENTIAL AND MUST NOT BE COPIED OR DISCLOSED WITHOUT WRITTEN CONSENT	

GCT

www.globalconnectortechology.com

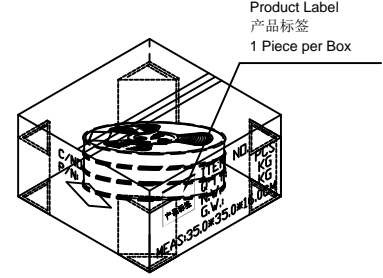
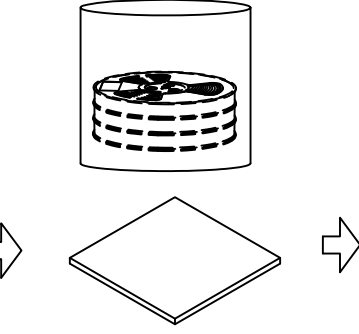
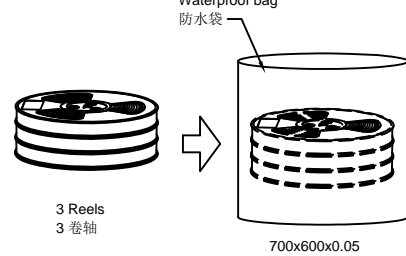
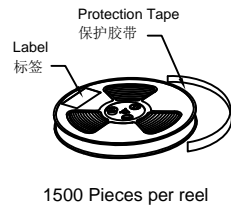
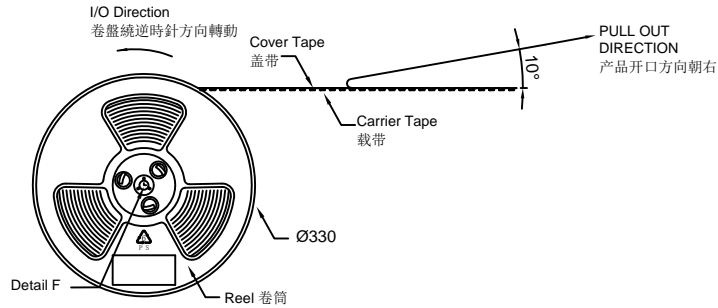
Scale	Revision	Material	Drawn by	Sheet No.
NTS	C	See Note	ASE	E & OE 1/2

Global Connector Technology Ltd. - USB3115: USB 3.0 Micro Receptacle, Type B, SMT, Horizontal, 10 Pin, Bottom Mount, W/SMT Holddown Pads



Products P/N	PCS/Reel	Reels/Carton	PCS/Carton
USB3115-30-A	1500	3	4500

- Notes注意:
1. Peeling off force of top tape: 0.1-1.3N
 2. All dimensions in millimeters 所有尺寸均是毫米



By	ASE	ASE	ASE
DETAIL	DRAWING RELEASE	ADDED PCB EDGE	PCN:- µUSB3.0-001
REV	A	B	C
DATE	16/05/11	13/09/11	01/02/12



Tolerances (Except as noted)		Part Number:-	Date:-
Dimensions in mm		USB3115	16 MAY 11
X.X ± 0.3	X.X° ± 2°	Description:- USB 3.0 MICRO RECEPTACLE, TYPE B, SMT, HORIZONTAL, 10 PIN, BOTTOM MOUNT, W/SMT HOLDOWN PADS	
X.XX ± 0.2	X.XX° ± 1°		
X.XXX ± 0.1	X.XXX° ± 0.5°		
Third Angle Projection		© THIS DRAWING IS CONFIDENTIAL AND MUST NOT BE COPIED OR DISCLOSED WITHOUT WRITTEN CONSENT	

<h1>GCT</h1>				
www.globalconnectortechology.com				
Scale NTS	Revision C	Material See Note	Drawn by ASE	Sheet No. 2/2