

# LM4041

## Precision Micropower Shunt Voltage Reference

### General Description

Ideal for space critical applications, the LM4041 precision voltage reference is available in the sub-miniature SC70 and SOT-23 surface-mount packages. The LM4041's advanced design eliminates the need for an external stabilizing capacitor while ensuring stability with any capacitive load, thus making the LM4041 easy to use. Further reducing design effort is the availability of a fixed (1.225V) and adjustable reverse breakdown voltage. The minimum operating current is 60  $\mu$ A for the LM4041-1.2 and the LM4041-ADJ. Both versions have a maximum operating current of 12 mA.

The LM4041 utilizes fuse and zener-zap reverse breakdown or reference voltage trim during wafer sort to ensure that the prime parts have an accuracy of better than  $\pm 0.1\%$  (A grade) at 25°C. Bandgap reference temperature drift curvature correction and low dynamic impedance ensure stable reverse breakdown voltage accuracy over a wide range of operating temperatures and currents.

### Features

- Small packages: SOT-23, TO-92, and SC70
- No output capacitor required
- Tolerates capacitive loads
- Reverse breakdown voltage options of 1.225V and adjustable

### Key Specifications (LM4041-1.2)

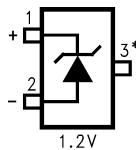
- |   |                           |
|---|---------------------------|
| ■ Output voltage tolerance<br>(A grade, 25°C) | $\pm 0.1\%$ (max)         |
| ■ Low output noise<br>(10 Hz to 10kHz)        | 20 $\mu$ V <sub>rms</sub> |
| ■ Wide operating current range                | 60 $\mu$ A to 12mA        |
| ■ Industrial temperature range                | -40°C to +85°C            |
| ■ Extended temperature range                  | -40°C to +125°C           |
| ■ Low temperature coefficient                 | 100 ppm/°C (max)          |

### Applications

- Portable, Battery-Powered Equipment
- Data Acquisition Systems
- Instrumentation
- Process Control
- Energy Management
- Automotive
- Precision Audio Components

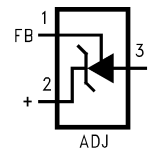
### Connection Diagrams

#### SOT-23



01139201

\*This pin must be left floating or connected to pin 2.

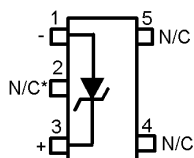


01139240

#### Top View

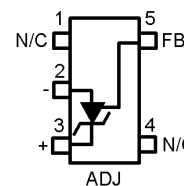
See NS Package Number MF03A  
(JEDEC Registration TO-236AB)

#### SC-70



01139246

\*This pin must be left floating or connected to pin 1.



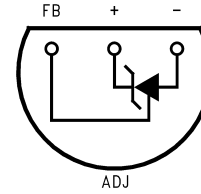
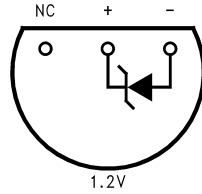
01139247

#### Top View

See NS Package Number MAA05A

## Connection Diagrams (Continued)

TO-92



Bottom View  
See NS Package Number Z03A

## Ordering Information

Reverse Breakdown Voltage Tolerance at 25°C and Average Reverse Breakdown Voltage Temperature Coefficient	Package					NS Package Number
	M3 (SOT-23)		M7 (SC70)		Z (TO-92)	
	Supplied as 1000 Units Tape and Reel	Supplied as 3000 Units Tape and Reel	Supplied as 1000 Units Tape and Reel	Supplied as 3000 Units Tape and Reel		
±0.1%, 100 ppm/°C max (A grade)	LM4041AIM3-1.2	LM4041AIM3X-1.2			LM4041AIZ-1.2	MF03A, Z03A
±0.2%, 100 ppm/°C max (B grade)	LM4041BIM3-1.2	LM4041BIM3X-1.2	LM4041BIM7-1.2	LM4041BIM7X-1.2	LM4041BIZ-1.2	MF03A, Z03A, MAA05A
±0.5%, 100 ppm/°C max (C grade)	LM4041CEM3-1.2 LM4041CIM3-1.2 LM4041CEM3-ADJ LM4041CIM3-ADJ	LM4041CEM3X-1.2 LM4041CIM3X-1.2 LM4041CEM3X-ADJ LM4041CIM3X-ADJ	LM4041CIM7-1.2 LM4041CIM7-ADJ	LM4041CIM7X-1.2 LM4041CIM7X-ADJ	LM4041CIZ-1.2 LM4041CIZ-ADJ	MF03A, Z03A, MAA05A
±1.0%, 150 ppm/°C max (D grade)	LM4041DEM3-1.2 LM4041DIM3-1.2 LM4041DEM3-ADJ LM4041DIM3-ADJ	LM4041DEM3X-1.2 LM4041DIM3X-1.2 LM4041DEM3X-ADJ LM4041DIM3X-ADJ	LM4041DIM7-1.2 LM4041DIM7-ADJ	LM4041DIM7X-1.2 LM4041DIM7X-ADJ	LM4041DIZ-1.2 LM4041DIZ-ADJ	MF03A, Z03A, MAA05A
±2.0%, 150 ppm/°C max (E grade)	LM4041EEM3-1.2 LM4041EIM3-1.2	LM4041EEM3X-1.2 LM4041EIM3X-1.2	LM4041EIM7-1.2	LM4041EIM7X-1.2	LM4041EIZ-1.2	MF03A, Z03A, MAA05A

**SOT-23 and SC70 Package Marking Information**

Only three fields of marking are possible on the SOT-23's and SC70's small surface. This table gives the meaning of the three fields.

Part Marking	Field Definition
R1A (SOT-23 Only) R1B R1C R1D R1E	First Field: R = Reference Second Field: 1 = 1.225V Voltage Option A = Adjustable Third Field:
RAC RAD	A–E = Initial Reverse Breakdown Voltage or Reference Voltage Tolerance A = $\pm 0.1\%$ , B = $\pm 0.2\%$ , C = $\pm 0.5\%$ , D = $\pm 1.0\%$ , E = $\pm 2.0\%$

**Absolute Maximum Ratings** (Note 1)

If Military/Aerospace specified devices are required, please contact the National Semiconductor Sales Office/Distributors for availability and specifications.

Reverse Current	20 mA
Forward Current	10 mA
Maximum Output Voltage (LM4041-ADJ)	15V
Power Dissipation ( $T_A = 25^\circ\text{C}$ ) (Note 2)	
M3 Package	306 mW
Z Package	550 mW
M7 Package	241mW
Storage Temperature	$-65^\circ\text{C}$ to $+150^\circ\text{C}$
Lead Temperature	
M3 Packages	
Vapor phase (60 seconds)	$+215^\circ\text{C}$
Infrared (15 seconds)	$+220^\circ\text{C}$
Z Package	

Soldering (10 seconds)	$+260^\circ\text{C}$
ESD Susceptibility	
Human Body Model (Note 3)	2 kV
Machine Model (Note 3)	200V
See AN-450 "Surface Mounting Methods and Their Effect on Product Reliability" for other methods of soldering surface mount devices.	

**Operating Ratings**(Notes 1, 2)

Temperature Range	$(T_{\min} \leq T_A \leq T_{\max})$
Industrial Temperature Range	$-40^\circ\text{C} \leq T_A \leq +85^\circ\text{C}$
Extended Temperature Range	$-40^\circ\text{C} \leq T_A \leq +125^\circ\text{C}$
Reverse Current	
LM4041-1.2	60 $\mu\text{A}$ to 12 mA
LM4041-ADJ	60 $\mu\text{A}$ to 12 mA
Output Voltage Range	
LM4041-ADJ	1.24V to 10V

**LM4041-1.2****Electrical Characteristics (Industrial Temperature Range)**

**Boldface limits apply for  $T_A = T_J = T_{\min}$  to  $T_{\max}$** ; all other limits  $T_A = T_J = 25^\circ\text{C}$ . The grades A and B designate initial Reverse Breakdown Voltage tolerances of  $\pm 0.1\%$  and  $\pm 0.2\%$ , respectively.

Symbol	Parameter	Conditions	Typical (Note 4)	LM4041AIM3 LM4041AIZ Limits (Note 5)	LM4041BIM3 LM4041BIZ LM4041BIM7 Limits (Note 5)	Units (Limit)	
$V_R$	Reverse Breakdown Voltage	$I_R = 100 \mu\text{A}$	1.225			V	
	Reverse Breakdown Voltage Tolerance (Note 6)	$I_R = 100 \mu\text{A}$		$\pm 1.2$ <b><math>\pm 9.2</math></b>	$\pm 2.4$ <b><math>\pm 10.4</math></b>	mV (max) mV (max)	
$I_{R\text{MIN}}$	Minimum Operating Current		45	60 <b>65</b>	60 <b>65</b>	$\mu\text{A}$ $\mu\text{A}$ (max) $\mu\text{A}$ (max)	
		$\Delta V_R/\Delta T$	Average Reverse Breakdown Voltage Temperature Coefficient (Note 6)	$I_R = 10 \text{ mA}$	$\pm 20$		ppm/ $^\circ\text{C}$
				$I_R = 1 \text{ mA}$	$\pm 15$	<b><math>\pm 100</math></b>	<b><math>\pm 100</math></b>
$\Delta V_R/\Delta I_R$	Reverse Breakdown Voltage Change with Operating Current Change (Note 9)	$I_{R\text{MIN}} \leq I_R \leq 1 \text{ mA}$	0.7	1.5 <b>2.0</b>	1.5 <b>2.0</b>	mV mV (max) mV (max)	
		$1 \text{ mA} \leq I_R \leq 12 \text{ mA}$	4.0	6.0 <b>8.0</b>	6.0 <b>8.0</b>	mV mV (max) mV (max)	
			$Z_R$	Reverse Dynamic Impedance	$I_R = 1 \text{ mA}$ , $f = 120 \text{ Hz}$ , $I_{\text{AC}} = 0.1 I_R$	0.5	1.5
$e_N$	Wideband Noise	$I_R = 100 \mu\text{A}$ $10 \text{ Hz} \leq f \leq 10 \text{ kHz}$	20			$\mu\text{V}_{\text{rms}}$	
$\Delta V_R$	Reverse Breakdown Voltage Long Term Stability	$t = 1000 \text{ hrs}$ $T = 25^\circ\text{C} \pm 0.1^\circ\text{C}$ $I_R = 100 \mu\text{A}$	120			ppm	
$V_{\text{HYST}}$	Thermal Hysteresis (Note 10)	$\Delta T = -40^\circ\text{C}$ to $+125^\circ\text{C}$	0.08			%	

**LM4041-1.2****Electrical Characteristics (Industrial Temperature Range)** (Continued)**LM4041-1.2****Electrical Characteristics (Industrial Temperature Range)**

**Boldface limits apply for  $T_A = T_J = T_{MIN}$  to  $T_{MAX}$ ; all other limits  $T_A = T_J = 25^\circ\text{C}$ .** The grades C, D and E designate initial Reverse Breakdown Voltage tolerances of  $\pm 0.5\%$ ,  $\pm 1.0\%$  and  $\pm 2.0\%$ , respectively.

Symbol	Parameter	Conditions	Typical (Note 4)	LM4041CIM3 LM4041CIZ LM4041CIM7 <b>Limits</b> (Note 5)	LM4041DIM3 LM4041DIZ LM4041DIM7 <b>Limits</b> (Note 5)	LM4041EIM3 LM4041EIZ LM4041EIM7 <b>Limits</b> (Note 5)	Units (Limit)
$V_R$	Reverse Breakdown Voltage	$I_R = 100 \mu\text{A}$	1.225				V
	Reverse Breakdown Voltage Tolerance (Note 6)	$I_R = 100 \mu\text{A}$		$\pm 6$ <b><math>\pm 14</math></b>	$\pm 12$ <b><math>\pm 24</math></b>	$\pm 25$ <b><math>\pm 36</math></b>	mV (max) mV (max)
$I_{RMIN}$	Minimum Operating Current		45				$\mu\text{A}$
				60	65	65	$\mu\text{A}$ (max)
				<b>65</b>	<b>70</b>	<b>70</b>	$\mu\text{A}$ (max)
$\Delta V_R/\Delta T$	$V_R$ Temperature Coefficient (Note 6)	$I_R = 10 \text{ mA}$	$\pm 20$				ppm/ $^\circ\text{C}$
		$I_R = 1 \text{ mA}$	$\pm 15$	<b><math>\pm 100</math></b>	<b><math>\pm 150</math></b>	<b><math>\pm 150</math></b>	ppm/ $^\circ\text{C}$ (max)
		$I_R = 100 \mu\text{A}$	$\pm 15$				ppm/ $^\circ\text{C}$
$\Delta V_R/\Delta I_R$	Reverse Breakdown Voltage Change with Operating Current Change (Note 9)	$I_{RMIN} \leq I_R \leq 1 \text{ mA}$	0.7				mV
				1.5	2.0	2.0	mV (max)
				<b>2.0</b>	<b>2.5</b>	<b>2.5</b>	mV (max)
		$1 \text{ mA} \leq I_R \leq 12 \text{ mA}$	2.5				mV
				6.0	8.0	8.0	mV (max)
				<b>8.0</b>	<b>10.0</b>	<b>10.0</b>	mV (max)
$Z_R$	Reverse Dynamic Impedance	$I_R = 1 \text{ mA}, f = 120 \text{ Hz}$	0.5				$\Omega$
		$I_{AC} = 0.1 I_R$		1.5	2.0	2.0	$\Omega$ (max)
$e_N$	Wideband Noise	$I_R = 100 \mu\text{A}$ $10 \text{ Hz} \leq f \leq 10 \text{ kHz}$	20				$\mu\text{V}_{rms}$
$\Delta V_R$	Reverse Breakdown Voltage Long Term Stability	$t = 1000 \text{ hrs}$ $T = 25^\circ\text{C} \pm 0.1^\circ\text{C}$ $I_R = 100 \mu\text{A}$	120				ppm
$V_{HYST}$	Thermal Hysteresis (Note 10)	$\Delta T = -40^\circ\text{C}$ to $+125^\circ\text{C}$	0.08				%

## LM4041-1.2

## Electrical Characteristics (Extended Temperature Range)

**Boldface limits apply for  $T_A = T_J = T_{MIN}$  to  $T_{MAX}$** ; all other limits  $T_A = T_J = 25^\circ\text{C}$ . The grades C, D and E designate initial Reverse Breakdown Voltage tolerance of  $\pm 0.5\%$ ,  $\pm 1.0\%$  and  $\pm 2.0\%$  respectively.

Symbol	Parameter	Conditions	Typical (Note 4)	LM4041CEM3 Limits (Note 5)	LM4041DEM3 Limits (Note 5)	LM4041EEM3 Limits (Note 5)	Units (Limit)
$V_R$	Reverse Breakdown Voltage	$I_R = 100 \mu\text{A}$	1.225				V
	Reverse Breakdown Voltage Error (Note 6)	$I_R = 100 \mu\text{A}$		$\pm 6$ <b><math>\pm 18.4</math></b>	$\pm 12$ <b><math>\pm 31</math></b>	$\pm 25$ <b><math>\pm 43</math></b>	mV (max) mV (max)
$I_{RMIN}$	Minimum Operating Current		45	60 <b>68</b>	65 <b>73</b>	65 <b>73</b>	$\mu\text{A}$ $\mu\text{A}$ (max) $\mu\text{A}$ (max)
$\Delta V_R/\Delta T$	VR Temperature Coefficient (Note 6)	$I_R = 10 \text{ mA}$	$\pm 20$	<b><math>\pm 100</math></b>	<b><math>\pm 150</math></b>	<b><math>\pm 150</math></b>	ppm/ $^\circ\text{C}$
		$I_R = 1 \text{ mA}$	$\pm 15$				ppm/ $^\circ\text{C}$ (max)
		$I_R = 100 \mu\text{A}$	$\pm 15$				ppm/ $^\circ\text{C}$
$\Delta V_R/\Delta I_R$	Reverse Breakdown Change with Current (Note 9)	$I_{RMIN} \leq I_R \leq 1.0 \text{ mA}$	0.7	1.5 <b>2.0</b>	2.0 <b>2.5</b>	2.0 <b>2.5</b>	mV mV (max) mV (max)
		$1 \text{ mA} \leq I_R \leq 12 \text{ mA}$	2.5	6.0 <b>8.0</b>	8.0 <b>10.0</b>	8.0 <b>10.0</b>	mV mV (max) mV (max)
$Z_R$	Reverse Dynamic Impedance	$I_R = 1 \text{ mA}$ , $f = 120 \text{ Hz}$ ,	0.5				$\Omega$
		$I_{AC} = 0.1 I_R$		<b>1.5</b>	<b>2.0</b>	<b>2.0</b>	$\Omega$ (max)
$e_N$	Noise Voltage	$I_R = 100 \mu\text{A}$ $10 \text{ Hz} \leq f \leq 10 \text{ kHz}$	20				$\mu\text{V}_{\text{rms}}$
$\Delta V_R$	Long Term Stability (Non-Cumulative)	$t = 1000 \text{ hrs}$ $T = 25^\circ\text{C} \pm 0.1^\circ\text{C}$ $I_R = 100 \mu\text{A}$	120				ppm
$V_{HYST}$	Thermal Hysteresis (Note 10)	$\Delta T = -40^\circ\text{C}$ to $+125^\circ\text{C}$	0.08				%

## LM4041-ADJ (Adjustable)

### Electrical Characteristics (Industrial Temperature Range)

**Boldface limits apply for  $T_A = T_J = T_{MIN}$  to  $T_{MAX}$** ; all other limits  $T_J = 25^\circ\text{C}$  unless otherwise specified (SOT-23, see (Note 7)),  $I_{RMIN} \leq I_R \leq 12\text{ mA}$ ,  $V_{REF} \leq V_{OUT} \leq 10\text{V}$ . The grades C and D designate initial Reference Voltage Tolerances of  $\pm 0.5\%$  and  $\pm 1\%$ , respectively for  $V_{OUT} = 5\text{V}$ .

Symbol	Parameter	Conditions	Typical (Note 4)	LM4041CIM3 LM4041CIZ LM4041CIM7 (Note 5)	LM4041DIM3 LM4041DIZ LM4041DIM7 (Note 5)	Units (Limit)		
$V_{REF}$	Reference Voltage	$I_R = 100\ \mu\text{A}$ , $V_{OUT} = 5\text{V}$	1.233			V		
	Reference Voltage Tolerance (Note 8)	$I_R = 100\ \mu\text{A}$ , $V_{OUT} = 5\text{V}$		$\pm 6.2$ <b><math>\pm 14</math></b>	$\pm 12$ <b><math>\pm 24</math></b>	mV (max) mV (max)		
$I_{RMIN}$	Minimum Operating Current		45	60 <b>65</b>	65 <b>70</b>	$\mu\text{A}$ $\mu\text{A}$ (max) $\mu\text{A}$ (max)		
		Reference Voltage Change with Operating Current Change (Note 9)	$I_{RMIN} \leq I_R \leq 1\text{ mA}$ SOT-23: $V_{OUT} \geq 1.6\text{V}$ (Note 7)	0.7	1.5 <b>2.0</b>	2.0 <b>2.5</b>	mV mV (max) mV (max)	
			$1\text{ mA} \leq I_R \leq 12\text{ mA}$ SOT-23: $V_{OUT} \geq 1.6\text{V}$ (Note 7)	2	4 <b>6</b>	6 <b>8</b>	mV mV (max) mV (max)	
$\Delta V_{REF}/\Delta V_O$	Reference Voltage Change with Output Voltage Change	$I_R = 1\text{ mA}$	-1.55	-2.0 <b>-2.5</b>	-2.5 <b>-3.0</b>	mV/V mV/V (max) mV/V (max)		
			$I_{FB}$	Feedback Current	60	100 <b>120</b>	150 <b>200</b>	nA nA (max) nA (max)
			$\Delta V_{REF}/\Delta T$		Average Reference Voltage Temperature Coefficient (Note 8)	$V_{OUT} = 5\text{V}$ , $I_R = 10\text{ mA}$	20	<b><math>\pm 100</math></b>
$I_R = 1\text{ mA}$	15							
$I_R = 100\ \mu\text{A}$	15							
$Z_{OUT}$	Dynamic Output Impedance	$I_R = 1\text{ mA}$ , $f = 120\text{ Hz}$ , $I_{AC} = 0.1\ I_R$						
			$V_{OUT} = V_{REF}$	0.3			$\Omega$	
			$V_{OUT} = 10\text{V}$	2			$\Omega$	
$e_N$	Wideband Noise	$I_R = 100\ \mu\text{A}$ , $V_{OUT} = V_{REF}$ $10\text{ Hz} \leq f \leq 10\text{ kHz}$	20			$\mu\text{V}_{rms}$		
$\Delta V_{REF}$	Reference Voltage Long Term Stability	$t = 1000\text{ hrs}$ , $I_R = 100\ \mu\text{A}$ $T = 25^\circ\text{C} \pm 0.1^\circ\text{C}$	120			ppm		
$V_{HYST}$	Thermal Hysteresis (Note 10)	$\Delta T = -40^\circ\text{C}$ to $+125^\circ\text{C}$	0.08			%		

## LM4041-ADJ (Adjustable)

### Electrical Characteristics (Extended Temperature Range)

**Boldface limits apply for  $T_A = T_J = T_{MIN}$  to  $T_{MAX}$** ; all other limits  $T_J = 25^\circ\text{C}$  unless otherwise specified (SOT-23, see (Note 7)),  $I_{RMIN} \leq I_R \leq 12 \text{ mA}$ ,  $V_{REF} \leq V_{OUT} \leq 10\text{V}$ . The grades C and D designate initial Reference Voltage Tolerances of  $\pm 0.5\%$  and  $\pm 1\%$ , respectively for  $V_{OUT} = 5\text{V}$ .

Symbol	Parameter	Conditions	Typical (Note 4)	LM4041CEM3 (Note 5)	LM4041DEM3 (Note 5)	Units (Limit)	
$V_{REF}$	Reference Voltage	$I_R = 100 \mu\text{A}$ , $V_{OUT} = 5\text{V}$	1.233			V	
	Reference Voltage Tolerance (Note 8)	$I_R = 100 \mu\text{A}$ , $V_{OUT} = 5\text{V}$		$\pm 6.2$ <b><math>\pm 18</math></b>	$\pm 12$ <b><math>\pm 30</math></b>	mV (max) mV (max)	
$I_{RMIN}$	Minimum Operating Current		45	60 <b>68</b>	65 <b>73</b>	$\mu\text{A}$ $\mu\text{A}$ (max) $\mu\text{A}$ (max)	
		Reference Voltage Change with Operating Current Change (Note 9)	$I_{RMIN} \leq I_R \leq 1 \text{ mA}$ SOT-23: $V_{OUT} \geq 1.6\text{V}$ (Note 7)	0.7	1.5 <b>2.0</b>	2.0 <b>2.5</b>	mV mV (max) mV (max)
			$1 \text{ mA} \leq I_R \leq 12 \text{ mA}$ SOT-23: $V_{OUT} \geq 1.6\text{V}$ (Note 7)	2	8 <b>6</b>	10 <b>8</b>	mV mV (max) mV (max)
$\Delta V_{REF}/\Delta V_O$	Reference Voltage Change with Output Voltage Change	$I_R = 1 \text{ mA}$	-1.55	-2.0 <b>-3.0</b>	-2.5 <b>-4.0</b>	mV/V mV/V (max) mV/V (max)	
$I_{FB}$	Feedback Current		60	100 <b>120</b>	150 <b>200</b>	nA nA (max) nA (max)	
		Average Reference Voltage Temperature Coefficient (Note 8)	$V_{OUT} = 5\text{V}$ , $I_R = 10 \text{ mA}$	20	<b><math>\pm 100</math></b>	<b><math>\pm 150</math></b>	ppm/ $^\circ\text{C}$
			$I_R = 1 \text{ mA}$	15			ppm/ $^\circ\text{C}$ (max)
	$I_R = 100 \mu\text{A}$	15			ppm/ $^\circ\text{C}$		
$Z_{OUT}$	Dynamic Output Impedance	$I_R = 1 \text{ mA}$ , $f = 120 \text{ Hz}$ , $I_{AC} = 0.1 I_R$	$V_{OUT} = V_{REF}$	0.3		$\Omega$	
			$V_{OUT} = 10\text{V}$	2		$\Omega$	
$e_N$	Wideband Noise	$I_R = 100 \mu\text{A}$ $V_{OUT} = V_{REF}$ $10 \text{ Hz} \leq f \leq 10 \text{ kHz}$	20			$\mu\text{V}_{rms}$	
$\Delta V_{REF}$	Reference Voltage Long Term Stability	$t = 1000 \text{ hrs}$ , $I_R = 100 \mu\text{A}$ $T = 25^\circ\text{C} \pm 0.1^\circ\text{C}$	120			ppm	
$V_{HYST}$	Thermal Hysteresis (Note 10)	$\Delta T = -40^\circ\text{C}$ to $+125^\circ\text{C}$	0.08			%	



## LM4041-ADJ (Adjustable) Electrical Characteristics (Extended Temperature Range) (Continued)

**Note 1:** Absolute Maximum Ratings indicate limits beyond which damage to the device may occur. Operating Ratings indicate conditions for which the device is functional, but do not guarantee specific performance limits. For guaranteed specifications and test conditions, see the Electrical Characteristics. The guaranteed specifications apply only for the test conditions listed. Some performance characteristics may degrade when the device is not operated under the listed test conditions.

**Note 2:** The maximum power dissipation must be derated at elevated temperatures and is dictated by  $T_{Jmax}$  (maximum junction temperature),  $\theta_{JA}$  (junction to ambient thermal resistance), and  $T_A$  (ambient temperature). The maximum allowable power dissipation at any temperature is  $PD_{max} = (T_{Jmax} - T_A)/\theta_{JA}$  or the number given in the Absolute Maximum Ratings, whichever is lower. For the LM4041,  $T_{Jmax} = 125^\circ\text{C}$ , and the typical thermal resistance ( $\theta_{JA}$ ), when board mounted, is  $326^\circ\text{C/W}$  for the SOT-23 package,  $415^\circ\text{C/W}$  for the SC70 package and  $180^\circ\text{C/W}$  with 0.4" lead length and  $170^\circ\text{C/W}$  with 0.125" lead length for the TO-92 package.

**Note 3:** The human body model is a 100 pF capacitor discharged through a 1.5 k $\Omega$  resistor into each pin. The machine model is a 200 pF capacitor discharged directly into each pin. All pins are rated at 2kV for Human Body Model, but the feedback pin which is rated at 1kV.

**Note 4:** Typical values are at  $T_J = 25^\circ\text{C}$  and represent most likely parametric norm.

**Note 5:** Limits are 100% production tested at  $25^\circ\text{C}$ . Limits over temperature are guaranteed through correlation using Statistical Quality Control (SQC) methods. The limits are used to calculate National's AOQL.

**Note 6:** The boldface (over-temperature) limit for Reverse Breakdown Voltage Tolerance is defined as the room temperature Reverse Breakdown Voltage Tolerance  $\pm[(\Delta V_R/\Delta T)(\max \Delta T)(V_R)]$ . Where,  $\Delta V_R/\Delta T$  is the  $V_R$  temperature coefficient,  $\max \Delta T$  is the maximum difference in temperature from the reference point of  $25^\circ\text{C}$  to  $T_{MAX}$  or  $T_{MIN}$ , and  $V_R$  is the reverse breakdown voltage. The total over-temperature tolerance for the different grades in the industrial temperature range where  $\max \Delta T = 65^\circ\text{C}$  is shown below:

A-grade:  $\pm 0.75\% = \pm 0.1\% \pm 100 \text{ ppm}/^\circ\text{C} \times 65^\circ\text{C}$

B-grade:  $\pm 0.85\% = \pm 0.2\% \pm 100 \text{ ppm}/^\circ\text{C} \times 65^\circ\text{C}$

C-grade:  $\pm 1.15\% = \pm 0.5\% \pm 100 \text{ ppm}/^\circ\text{C} \times 65^\circ\text{C}$

D-grade:  $\pm 1.98\% = \pm 1.0\% \pm 150 \text{ ppm}/^\circ\text{C} \times 65^\circ\text{C}$

E-grade:  $\pm 2.98\% = \pm 2.0\% \pm 150 \text{ ppm}/^\circ\text{C} \times 65^\circ\text{C}$

The total over-temperature tolerance for the different grades in the extended temperature range where  $\max \Delta T = 100^\circ\text{C}$  is shown below:

B-grade:  $\pm 1.2\% = \pm 0.2\% \pm 100 \text{ ppm}/^\circ\text{C} \times 100^\circ\text{C}$

C-grade:  $\pm 1.5\% = \pm 0.5\% \pm 100 \text{ ppm}/^\circ\text{C} \times 100^\circ\text{C}$

D-grade:  $\pm 2.5\% = \pm 1.0\% \pm 150 \text{ ppm}/^\circ\text{C} \times 100^\circ\text{C}$

E-grade:  $\pm 4.5\% = \pm 2.0\% \pm 150 \text{ ppm}/^\circ\text{C} \times 100^\circ\text{C}$

Therefore, as an example, the A-grade LM4041-1.2 has an over-temperature Reverse Breakdown Voltage tolerance of  $\pm 1.2\text{V} \times 0.75\% = \pm 9.2 \text{ mV}$ .

**Note 7:** When  $V_{OUT} \leq 1.6\text{V}$ , the LM4041-ADJ in the SOT-23 package must operate at reduced  $I_R$ . This is caused by the series resistance of the die attach between the die (-) output and the package (-) output pin. See the Output Saturation (SOT-23 only) curve in the Typical Performance Characteristics section.

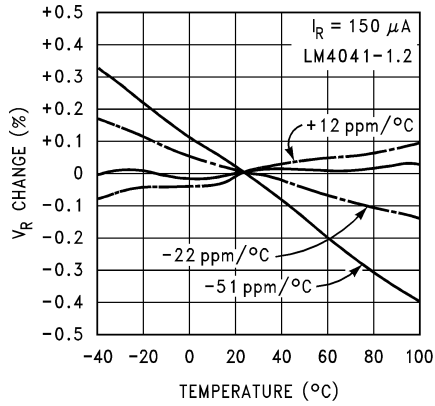
**Note 8:** Reference voltage and temperature coefficient will change with output voltage. See Typical Performance Characteristics curves.

**Note 9:** Load regulation is measured on pulse basis from no load to the specified load current. Output changes due to die temperature change must be taken into account separately.

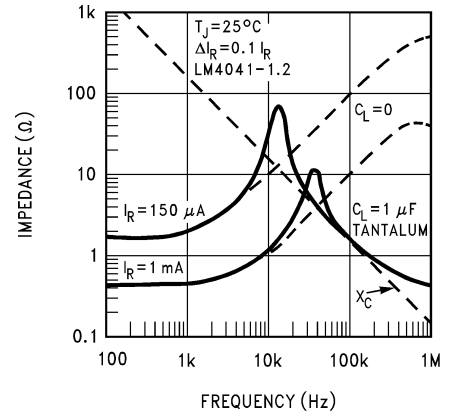
**Note 10:** Thermal hysteresis is defined as the difference in voltage measured at  $+25^\circ\text{C}$  after cycling to temperature  $-40^\circ\text{C}$  and the  $25^\circ\text{C}$  measurement after cycling to temperature  $+125^\circ\text{C}$ .

# Typical Performance Characteristics

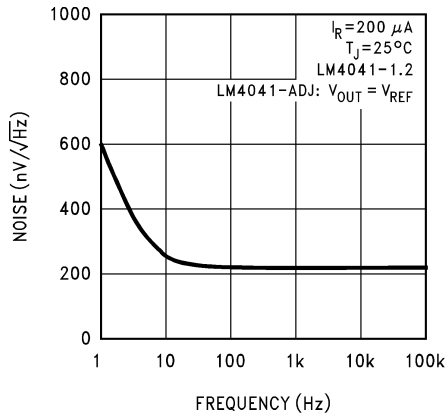
**Temperature Drift for Different Average Temperature Coefficient**



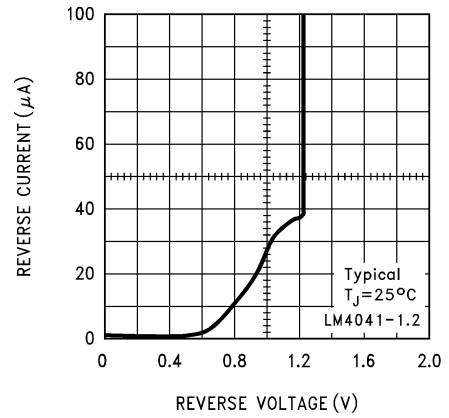
**Output Impedance vs Frequency**



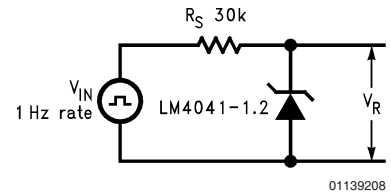
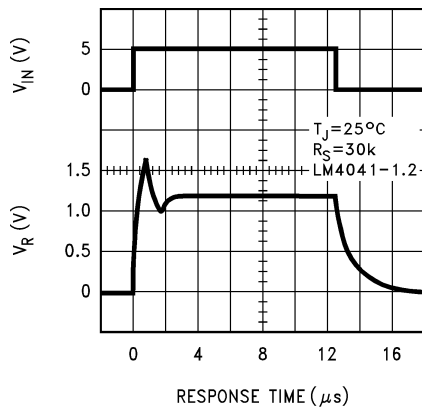
**Noise Voltage**



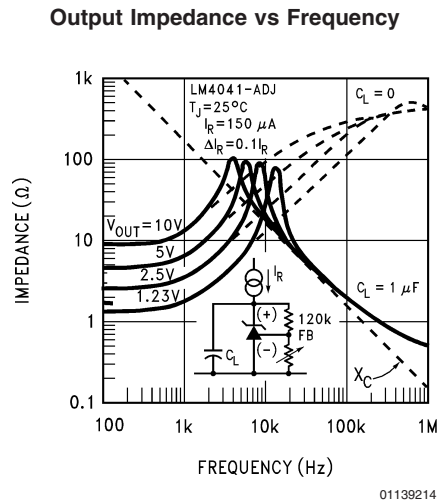
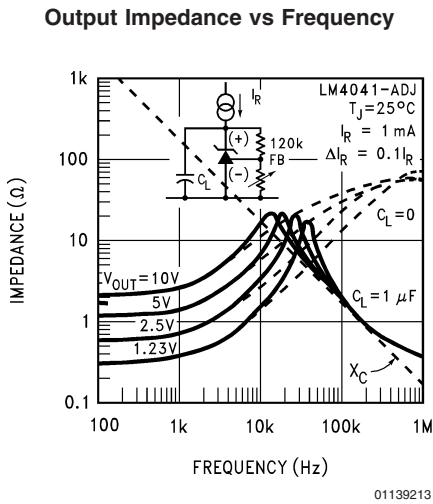
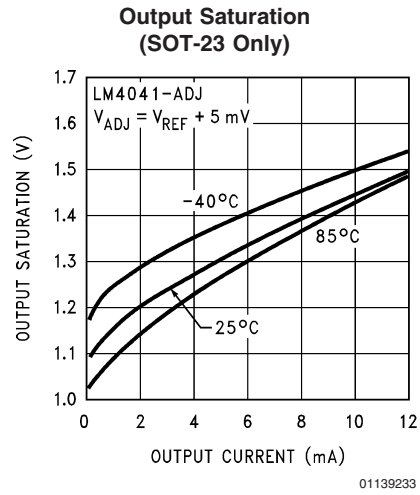
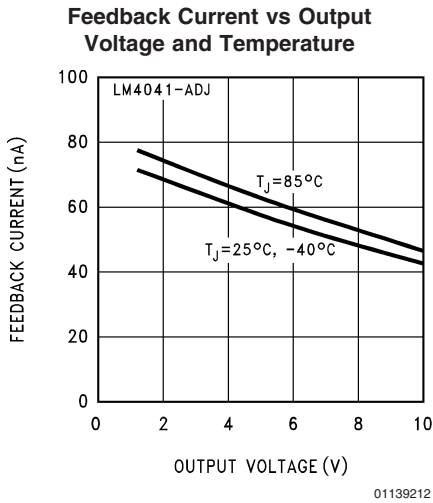
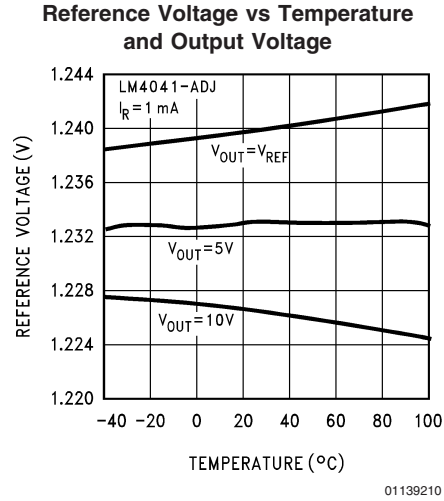
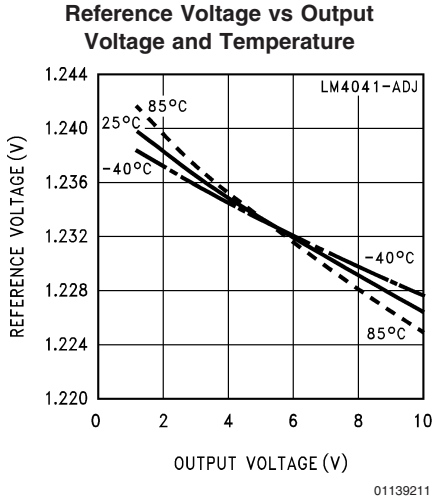
**Reverse Characteristics and Minimum Operating Current**



**Start-Up Characteristics**

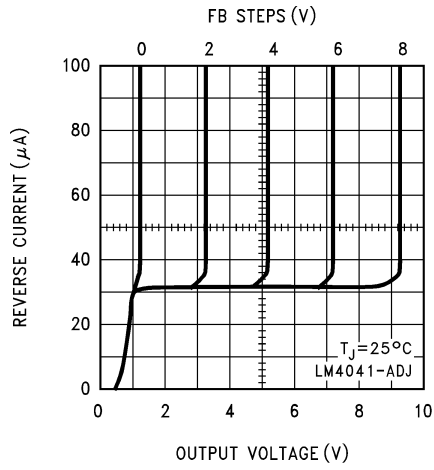


Typical Performance Characteristics (Continued)

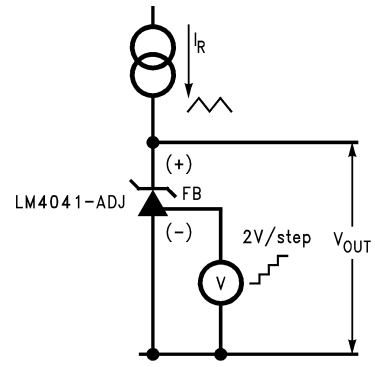


# Typical Performance Characteristics (Continued)

## Reverse Characteristics

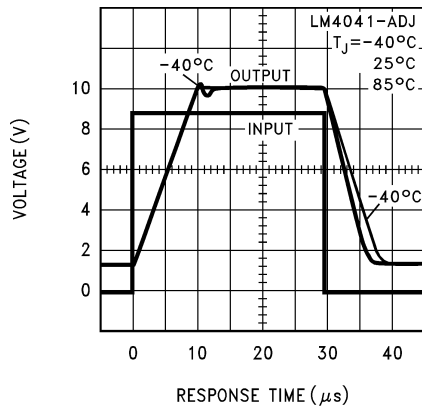


01139215

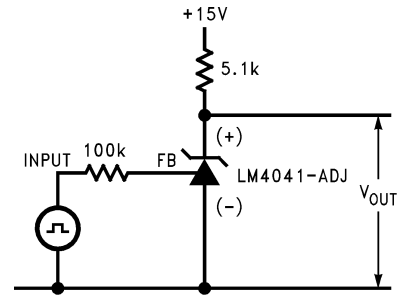


01139216

## Large Signal Response

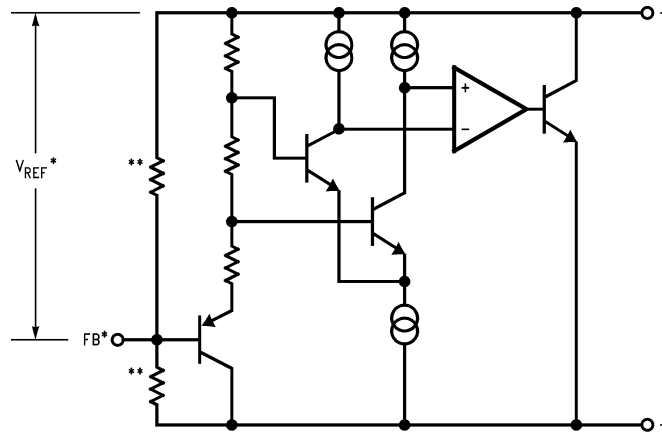


01139217



01139218

## Functional Block Diagram



01139221

\*LM4041-ADJ only  
 \*\*LM4041-1.2 only

## Applications Information

The LM4041 is a precision micro-power curvature-corrected bandgap shunt voltage reference. For space critical applications, the LM4041 is available in the sub-miniature SOT-23 and SC70 surface-mount package. The LM4041 has been designed for stable operation without the need of an external capacitor connected between the “+” pin and the “-” pin. If, however, a bypass capacitor is used, the LM4041 remains stable. Design effort is further reduced with the choice of either a fixed 1.2V or an adjustable reverse breakdown voltage. The minimum operating current is 60  $\mu$ A for the LM4041-1.2 and the LM4041-ADJ. Both versions have a maximum operating current of 12 mA.

LM4041s using the SOT-23 package have pin 3 connected as the (-) output through the package's die attach interface. Therefore, the LM4041-1.2's pin 3 must be left floating or connected to pin 2 and the LM4041-ADJ's pin 3 is the (-) output.

LM4041s using the SC70 package have pin 2 connected as the (-) output through the packages' die attach interface. Therefore, the LM4041-1.2's pin 2 must be left floating or connected to pin 1, and the LM4041-ADJ's pin 2 is the (-) output.

The typical thermal hysteresis specification is defined as the change in +25°C voltage measured after thermal cycling. The device is thermal cycled to temperature -40°C and then measured at 25°C. Next the device is thermal cycled to temperature +125°C and again measured at 25°C. The resulting  $V_{OUT}$  delta shift between the 25°C measurements is thermal hysteresis. Thermal hysteresis is common in precision references and is induced by thermal-mechanical package stress. Changes in environmental storage temperature, operating temperature and board mounting temperature are all factors that can contribute to thermal hysteresis.

In a conventional shunt regulator application (*Figure 1*), an external series resistor ( $R_S$ ) is connected between the supply voltage and the LM4041.  $R_S$  determines the current that flows through the load ( $I_L$ ) and the LM4041 ( $I_Q$ ). Since load current and supply voltage may vary,  $R_S$  should be small enough to supply at least the minimum acceptable  $I_Q$  to the LM4041 even when the supply voltage is at its minimum and the load current is at its maximum value. When the supply voltage is at its maximum and  $I_L$  is at its minimum,  $R_S$  should be large enough so that the current flowing through the LM4041 is less than 12 mA.

$R_S$  should be selected based on the supply voltage, ( $V_S$ ), the desired load and operating current, ( $I_L$  and  $I_Q$ ), and the LM4041's reverse breakdown voltage,  $V_R$ .

$$R_S = \frac{V_S - V_R}{I_L + I_Q}$$

The LM4041-ADJ's output voltage can be adjusted to any value in the range of 1.24V through 10V. It is a function of the internal reference voltage ( $V_{REF}$ ) and the ratio of the external

feedback resistors as shown in *Figure 2*. The output voltage is found using the equation

$$V_O = V_{REF}[(R2/R1) + 1] \quad (1)$$

where  $V_O$  is the output voltage. The actual value of the internal  $V_{REF}$  is a function of  $V_O$ . The “corrected”  $V_{REF}$  is determined by

$$V_{REF} = \Delta V_O (\Delta V_{REF}/\Delta V_O) + V_Y \quad (2)$$

where

$$V_Y = 1.240 \text{ V}$$

and

$$\Delta V_O = (V_O - V_Y)$$

$\Delta V_{REF}/\Delta V_O$  is found in the Electrical Characteristics and is typically -1.55 mV/V. You can get a more accurate indication of the output voltage by replacing the value of  $V_{REF}$  in equation (1) with the value found using equation (2).

Note that the actual output voltage can deviate from that predicted using the typical value of  $\Delta V_{REF}/\Delta V_O$  in equation (2): for C-grade parts, the worst-case  $\Delta V_{REF}/\Delta V_O$  is -2.5 mV/V. For D-grade parts, the worst-case  $\Delta V_{REF}/\Delta V_O$  is -3.0 mV/V.

## Typical Applications

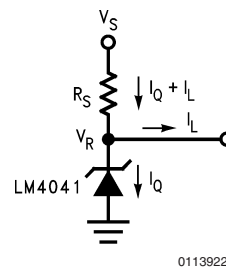


FIGURE 1. Shunt Regulator

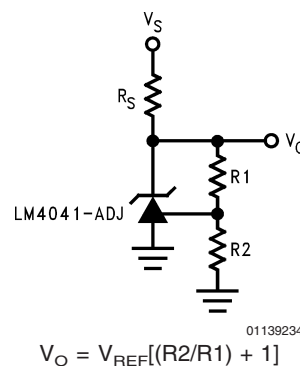
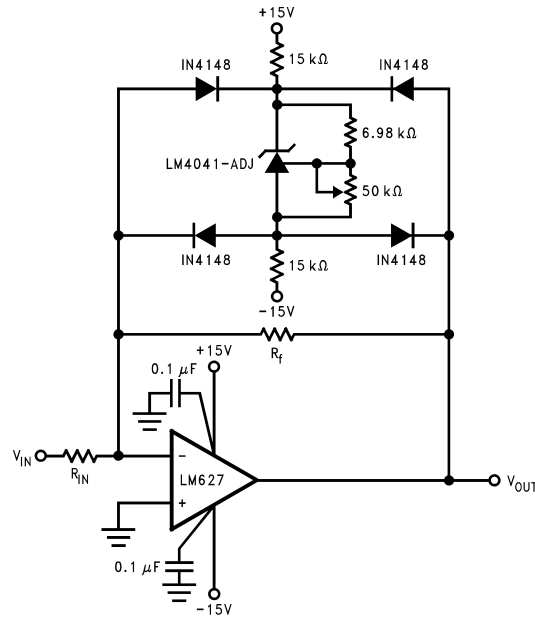


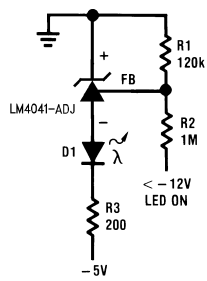
FIGURE 2. Adjustable Shunt Regulator

Typical Applications (Continued)



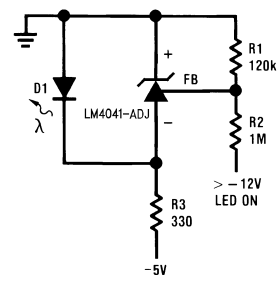
01139224

FIGURE 3. Bounded amplifier reduces saturation-induced delays and can prevent succeeding stage damage. Nominal clamping voltage is  $\pm V_O$  (LM4041's reverse breakdown voltage) +2 diode  $V_F$ .



01139220

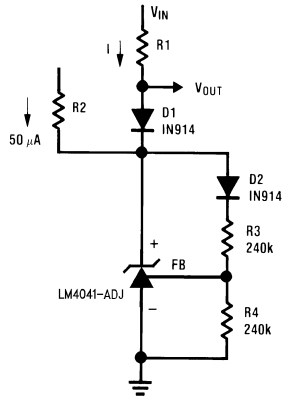
FIGURE 4. Voltage Level Detector



01139223

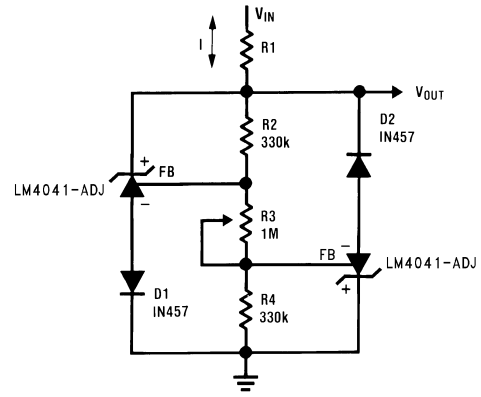
FIGURE 5. Voltage Level Detector

Typical Applications (Continued)



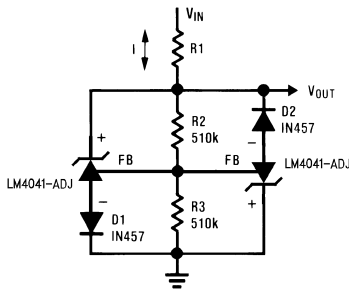
01139225

FIGURE 6. Fast Positive Clamp  
 $2.4V + V_{D1}$



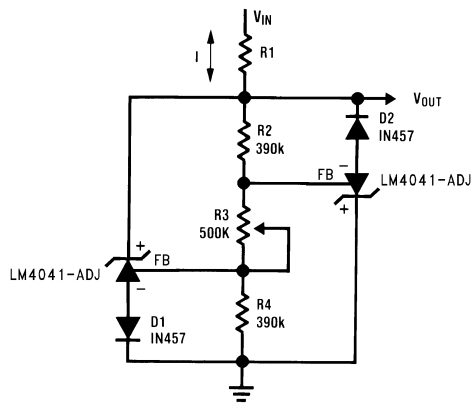
01139236

FIGURE 9. Bidirectional Adjustable  
Clamp  $\pm 2.4V$  to  $\pm 6V$



01139226

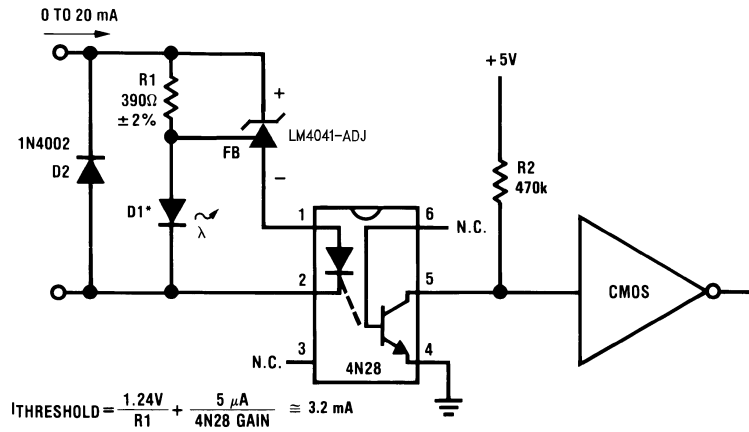
FIGURE 7. Bidirectional Clamp  $\pm 2.4V$



01139235

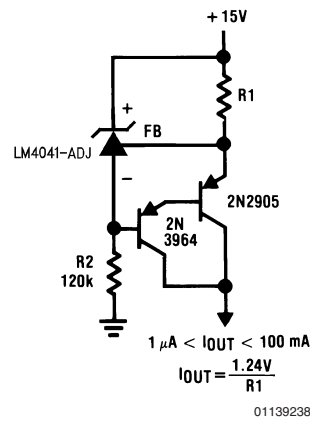
FIGURE 8. Bidirectional Adjustable  
Clamp  $\pm 18V$  to  $\pm 2.4V$

Typical Applications (Continued)



01139237

FIGURE 10. Simple Floating Current Detector



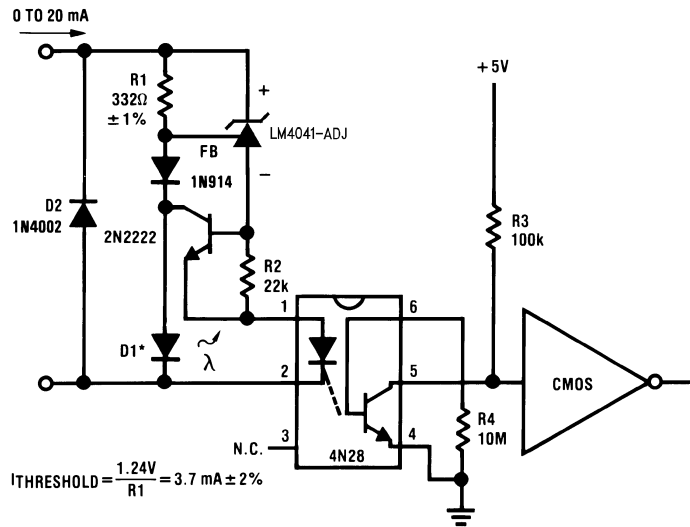
01139238

FIGURE 11. Current Source

**Note 11:** \*D1 can be any LED,  $V_F = 1.5\text{V to } 2.2\text{V}$  at 3 mA. D1 may act as an indicator. D1 will be on if  $I_{\text{THRESHOLD}}$  falls below the threshold current, except with  $I = 0$ .

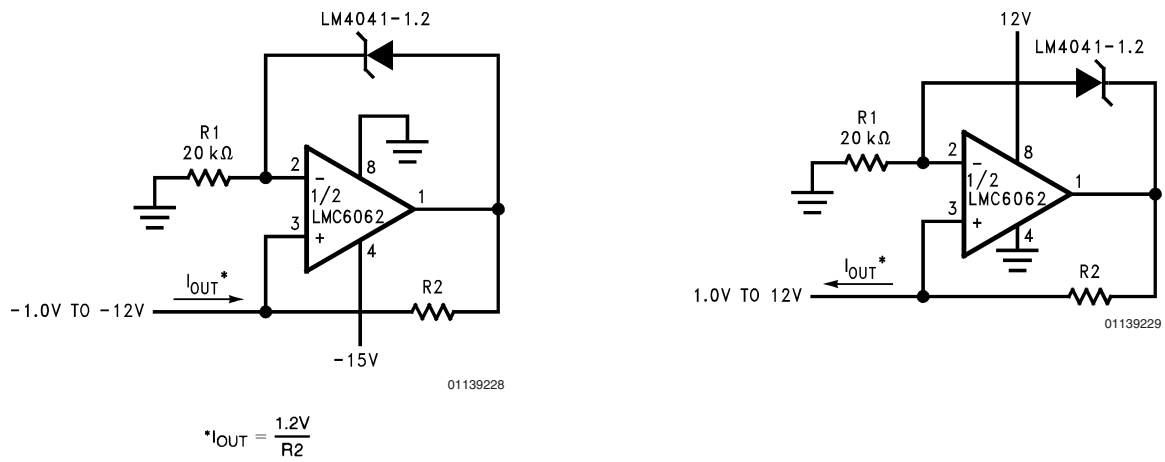


Typical Applications (Continued)



01139239

FIGURE 12. Precision Floating Current Detector

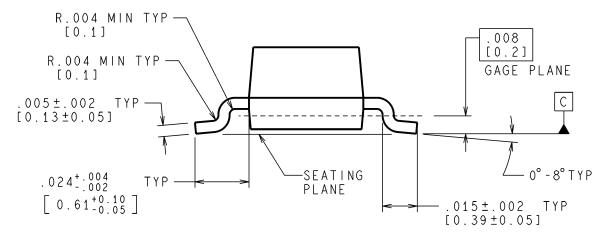
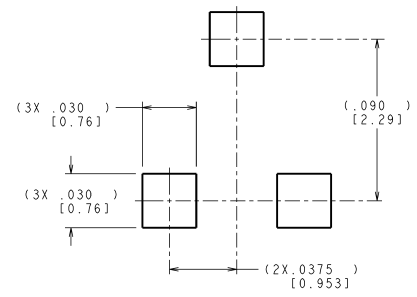
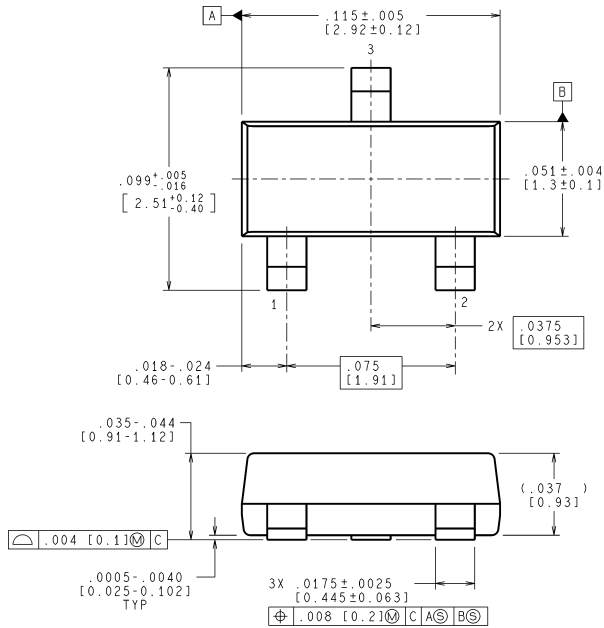


01139229

FIGURE 13. Precision 1 μA to 1 mA Current Sources

**Physical Dimensions** inches (millimeters)

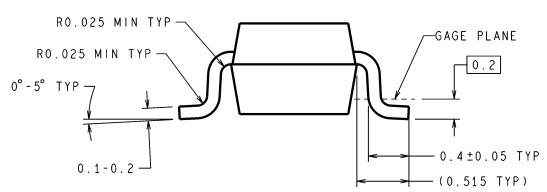
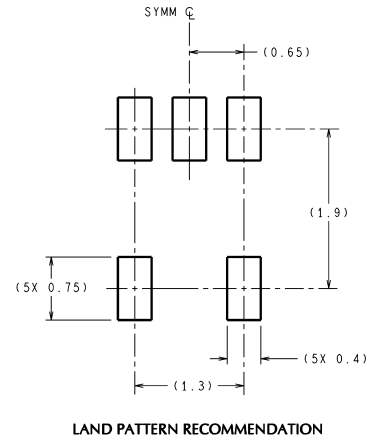
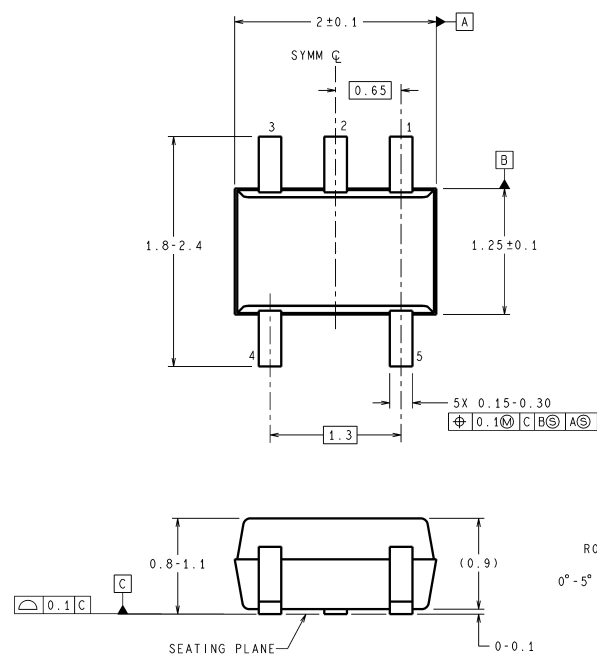
unless otherwise noted



CONTROLLING DIMENSION IS INCH  
VALUES IN [ ] ARE MILLIMETERS

MF03A (Rev B)

**Plastic Surface Mount Package (M3)**  
**NS Package Number MF03A**  
**(JEDEC Registration TO-236AB)**

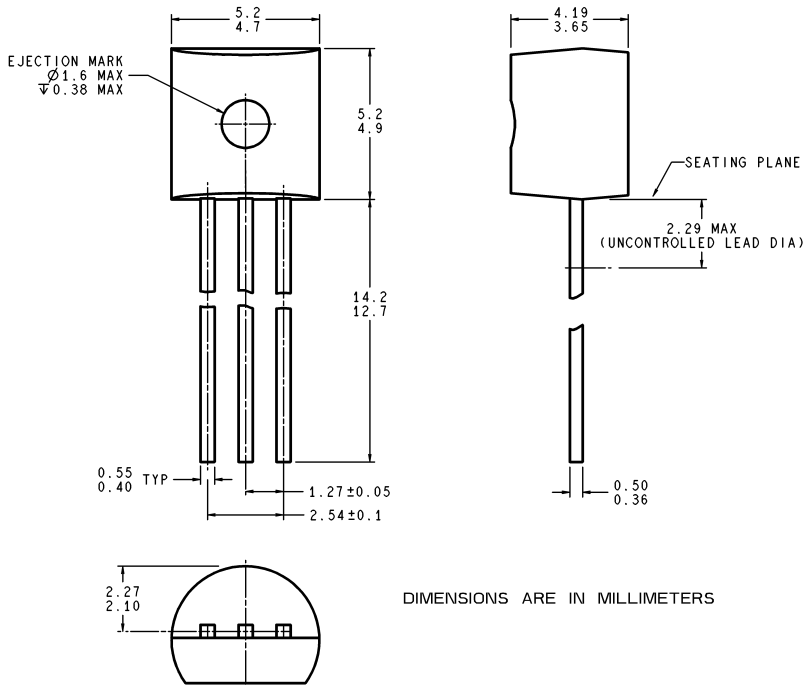


DIMENSIONS ARE IN MILLIMETERS

MAA05A (Rev C)

**Molded Package (SC70)**  
**NS Package Number MAA05A**

**Physical Dimensions** inches (millimeters) unless otherwise noted (Continued)



Z03A (Rev G)

**Plastic Package (Z)**  
**NS Package Number Z03A**

National does not assume any responsibility for use of any circuitry described, no circuit patent licenses are implied and National reserves the right at any time without notice to change said circuitry and specifications.

For the most current product information visit us at [www.national.com](http://www.national.com).

**LIFE SUPPORT POLICY**

NATIONAL'S PRODUCTS ARE NOT AUTHORIZED FOR USE AS CRITICAL COMPONENTS IN LIFE SUPPORT DEVICES OR SYSTEMS WITHOUT THE EXPRESS WRITTEN APPROVAL OF THE PRESIDENT AND GENERAL COUNSEL OF NATIONAL SEMICONDUCTOR CORPORATION. As used herein:

1. Life support devices or systems are devices or systems which, (a) are intended for surgical implant into the body, or (b) support or sustain life, and whose failure to perform when properly used in accordance with instructions for use provided in the labeling, can be reasonably expected to result in a significant injury to the user.
2. A critical component is any component of a life support device or system whose failure to perform can be reasonably expected to cause the failure of the life support device or system, or to affect its safety or effectiveness.

**BANNED SUBSTANCE COMPLIANCE**

National Semiconductor manufactures products and uses packing materials that meet the provisions of the Customer Products Stewardship Specification (CSP-9-111C2) and the Banned Substances and Materials of Interest Specification (CSP-9-111S2) and contain no "Banned Substances" as defined in CSP-9-111S2.



**National Semiconductor**  
**Americas Customer**  
**Support Center**  
 Email: [new.feedback@nsc.com](mailto:new.feedback@nsc.com)  
 Tel: 1-800-272-9959

**National Semiconductor**  
**Europe Customer Support Center**  
 Fax: +49 (0) 180-530 85 86  
 Email: [europa.support@nsc.com](mailto:europa.support@nsc.com)  
 Deutsch Tel: +49 (0) 69 9508 6208  
 English Tel: +44 (0) 870 24 0 2171  
 Français Tel: +33 (0) 1 41 91 8790

**National Semiconductor**  
**Asia Pacific Customer**  
**Support Center**  
 Email: [ap.support@nsc.com](mailto:ap.support@nsc.com)

**National Semiconductor**  
**Japan Customer Support Center**  
 Fax: 81-3-5639-7507  
 Email: [jpn.feedback@nsc.com](mailto:jpn.feedback@nsc.com)  
 Tel: 81-3-5639-7560