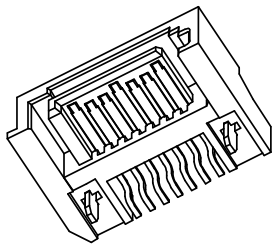
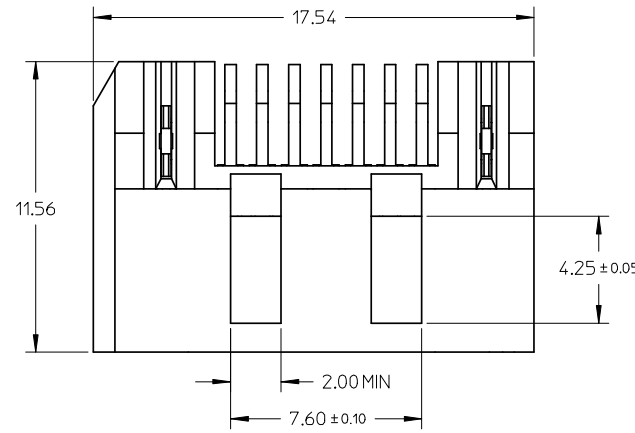


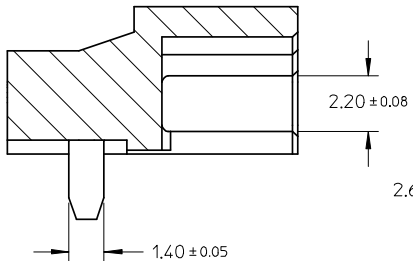
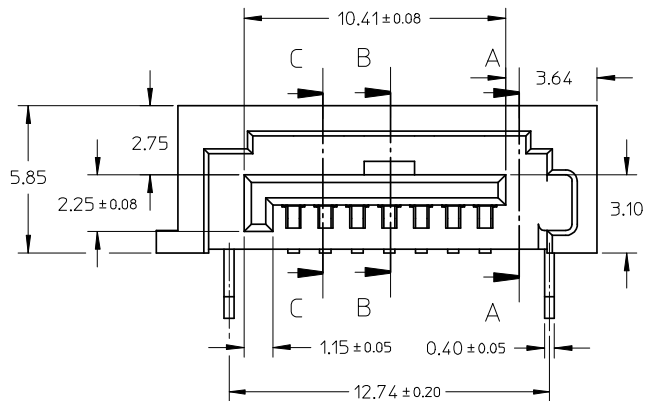
F



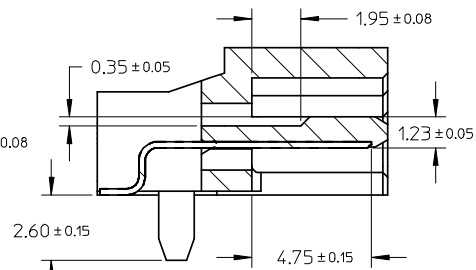
- NOTES:
- MATERIAL:
HOUSING: HIGH TEMPERATURE PLASTIC, GLASS FILLED, UL94V-0, COLOR: SEE CHART;
TERMINAL/PEG: COPPER ALLOY;
MYLAR: ADHESIVE TAPE.
 - TERMINAL AND PEG PLATING:
CONTACT AREA: GOLD PLATED ON 1.25 MICRONS MINIMUM NICKEL UNDER PLATE, REFERRED TO PLATING TYPE LIST IN TABLE;
SOLDER AREA: 1.27 MICRONS PURE TIN PLATED ON 1.25 MICRONS MINIMUM NICKEL UNDER PLATE, REFERRED TO REMARK IN TABLE.
 - PRODUCT SPECIFICATION REFER TO PS-67490-001.
 - MATING PART: 67489.
 - PRODUCT COMPLIANT TO RoHS DIRECTIVE 2002/95/EC AND ELV 2000/53/EC.

E

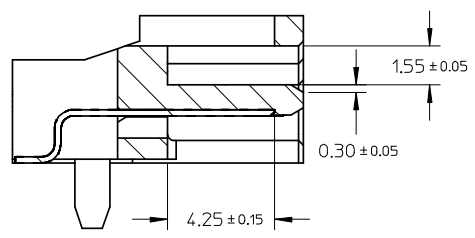
D



SECTION A-A



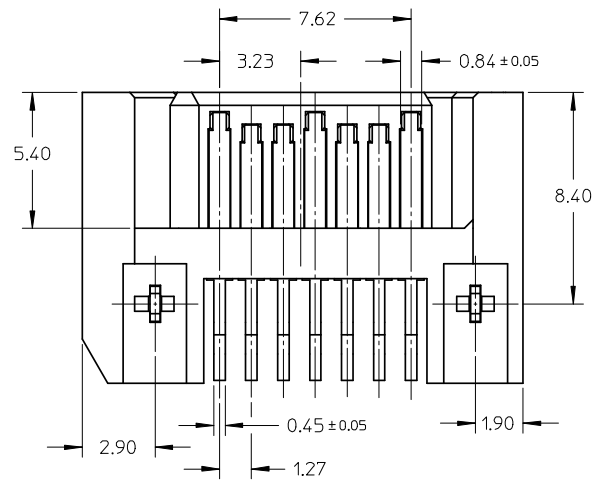
SECTION B-B



SECTION C-C

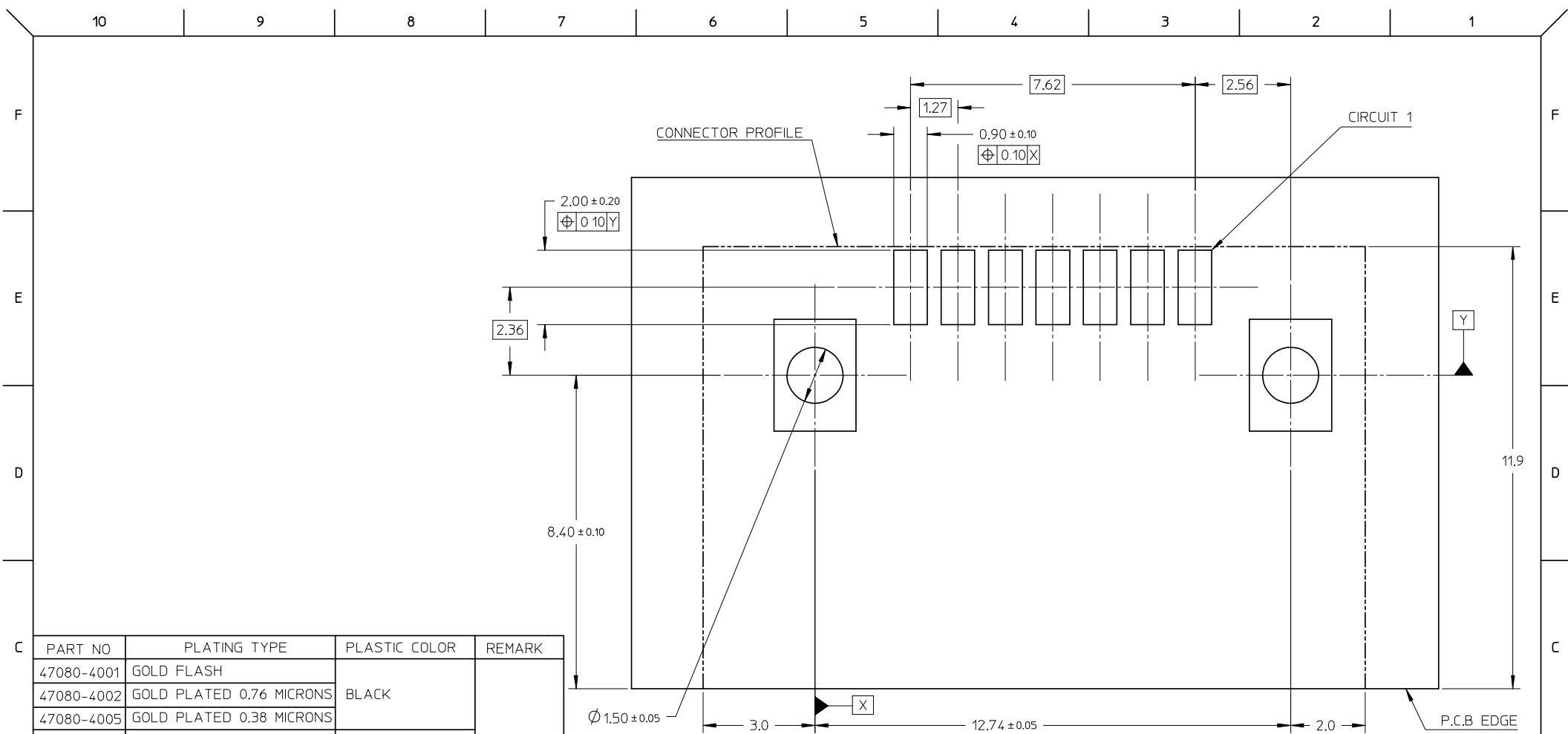
C

B



A

UPDATE DRAWING EC NO: SHZ009-0041 DRWNL:SONG 2008/08/06 CHKD:XJ.SONG 2008/08/07 APPR:HWANG 2008/08/26	QUALITY SYMBOLS	GENERAL TOLERANCES (UNLESS SPECIFIED)	DIMENSION STYLE	SCALE	DESIGN UNITS	THIRD ANGLE PROJECTION
	▽=0 ◻=0	mm INCH 4 PLACES ± --- ± --- 3 PLACES ± --- ± --- 2 PLACES ± 0.15 ± --- 1 PLACE ± 0.25 ± --- ANGULAR ± 1°	MM ONLY	1:1	METRIC	DRAWN BY DATE GRATE MA 2004/06/14 CHECKED BY DATE GRATE MA 2004/06/14 APPROVED BY DATE VINCENT 2004/06/14 MATERIAL NO. SEE SHEET 2
		DRAFT WHERE APPLICABLE MUST REMAIN WITHIN DIMENSIONS				TITLE SATA SYSTEM PLUG PEG INSERT TYPE WITH SHROUD MOLEX INCORPORATED DOCUMENT NO. SD-47080-001
						SHEET NO. 1 OF 2 THIS DRAWING CONTAINS INFORMATION THAT IS PROPRIETARY TO MOLEX INCORPORATED AND SHOULD NOT BE USED WITHOUT WRITTEN PERMISSION



RECOMMENDED P.C.B LAYOUT
THICKNESS: 1.60 +/- 0.05

PART NO	PLATING TYPE	PLASTIC COLOR	REMARK
47080-4001	GOLD FLASH	BLACK	BRIHGT TIN
47080-4002	GOLD PLATED 0.76 MICRONS		
47080-4005	GOLD PLATED 0.38 MICRONS		
47080-5001	GOLD FLASH	NATURE COLOR	BRIHGT TIN
47080-5002	GOLD PLATED 0.76 MICRONS		
47080-5005	GOLD PLATED 0.38 MICRONS		
47080-6001	GOLD FLASH	PROCESS BLUE C DELTA E<3	MATTE TIN
47080-6002	GOLD PLATED 0.76 MICRONS		
47080-6005	GOLD PLATED 0.38 MICRONS		
47080-1010	GOLD FLASH	BLACK	MATTE TIN
47080-1020	GOLD PLATED 0.76 MICRONS		
47080-1030	GOLD PLATED 0.38 MICRONS		
47080-2010	GOLD FLASH	NATURE COLOR	MATTE TIN
47080-2020	GOLD PLATED 0.76 MICRONS		
47080-2030	GOLD PLATED 0.38 MICRONS		
47080-3010	GOLD FLASH	PROCESS BLUE C DELTA E<3	MATTE TIN
47080-3020	GOLD PLATED 0.76 MICRONS		
47080-3030	GOLD PLATED 0.38 MICRONS		

UPDATE DRAWING
EC NO: SH2009-0041
DRAWN: SONG 2008/08/06
CHKD: XJ SONG 2008/08/07
APPR: HWANG 2008/08/26

QUALITY SYMBOLS
▽=0
▽=0

GENERAL TOLERANCES (UNLESS SPECIFIED)

	mm	INCH
4 PLACES	± ---	± ---
3 PLACES	± ---	± ---
2 PLACES	± 0.15	± ---
1 PLACE	± 0.25	± ---
ANGULAR ± 1 °		

DRAFT WHERE APPLICABLE
MUST REMAIN
WITHIN DIMENSIONS

DIMENSION STYLE
MM ONLY

DRAWN BY	DATE
GRATE MA	2004/06/14
CHECKED BY	DATE
GRATE MA	2004/06/14
APPROVED BY	DATE
VINCENT	2004/06/14

MATERIAL NO. SEE TABLE

SCALE 1:1
DESIGN UNITS METRIC
THIRD ANGLE PROJECTION

TITLE
SATA SYSTEM PLUG
PEG INSERT TYPE
WITH SHROUD

molex MOLEX INCORPORATED

DOCUMENT NO. SD-47080-001
SHEET NO. 2 OF 2

THIS DRAWING CONTAINS INFORMATION THAT IS PROPRIETARY TO MOLEX INCORPORATED AND SHOULD NOT BE USED WITHOUT WRITTEN PERMISSION